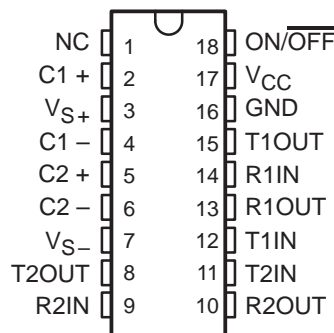


LT1080, LT1081
ADVANCED LOW-POWER
5-V DUAL EIA-232 DRIVER/RECEIVERS
 SLLS050A – D3121, SEPTEMBER 1989 – REVISED FEBRUARY 1991

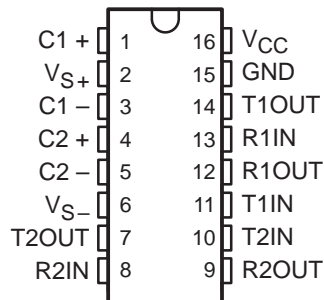
- Operates With Single 5-V Power Supply
- Generates ± 9 -V Supply Voltages With Only 1- μ F Capacitors
- Designed to Avoid Latch-Up
- CMOS Comparable Low Power . . . 60 mW
- Features Superior to CMOS:
 - Improved Speed . . . Operates Over 64K Baud
 - Improved Protection . . . Outputs Can Be Forced to ± 30 V Without Damage
 - 3-State Outputs Are at High Impedance When Off
- Power Additional EIA-232 Drivers . . . 10 mA
- 1- μ A Supply Current in Shutdown
- Available With or Without Shutdown
- Suitable for ANSI/EIA-232-D-1986 Applications (Revision of EIA Std RS-232-C)
- Designed to Be Interchangeable With Linear Technology LT1080 and LT1081

LT1080C, LT1080I . . . DW OR N PACKAGE
(TOP VIEW)



NC – No internal connection

LT1081C, LT1081I . . . DW OR N PACKAGE
(TOP VIEW)



description

The LT1080 and LT1081 are dual driver/receivers that include a charge pump to supply EIA-232 voltage levels from a single 5-V supply. These interface-optimized devices are designed to avoid latch-up and provide a realistic balance between CMOS levels of power dissipation and real-world requirements for ruggedness. The driver outputs are fully protected against overload and can be shorted to ± 30 V. Unlike CMOS devices, the advanced architecture of the LT1080 and LT1081 does not load the signal line when shut down or when the power is off. Both the receiver and EIA-232 outputs are put into a high-impedance state. An advanced output stage allows driving higher capacitive loads at higher speeds with exceptional resistance to ESD.

Applications for these devices include portable computers, battery-powered EIA-232 systems, power-supply generators, terminals, and modems.

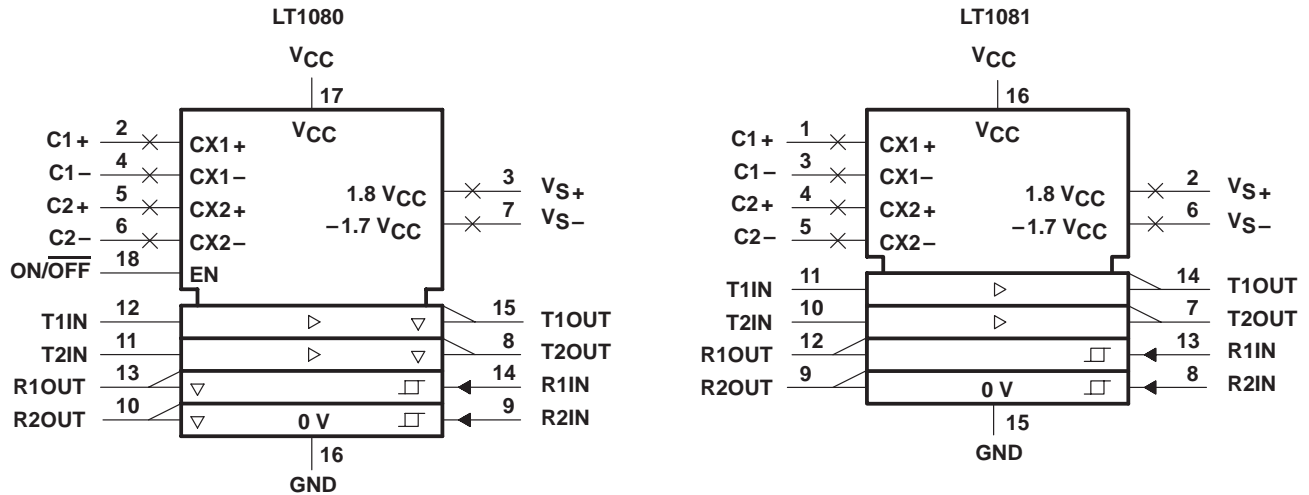
The LT1080C and LT1081C are characterized for operation from 0°C to 70°C. The LT1080I and LT1081I are characterized for operation from -40°C to 85°C.

PRODUCTION DATA information is current as of publication date. Products conform to specifications per the terms of Texas Instruments standard warranty. Production processing does not necessarily include testing of all parameters.



LT1080, LT1081
ADVANCED LOW-POWER
5-V DUAL EIA-232 DRIVER/RECEIVERS
 SLLS050A – D3121, SEPTEMBER 1989 – REVISED FEBRUARY 1991

logic symbols†



† These symbols are in accordance with ANSI/IEEE Std 91-1984 and IEC Publication 617-12.

Terminal Functions

PIN NAME	NO.†	I/O	DESCRIPTION
C1 +	2 [1]		External capacitor C1
C1 -	4 [3]		
C2 +	5 [4]		External capacitor C2
C2 -	6 [5]		
GND	16 [15]		Ground pin
ON/OFF	18	I	Controls the operation mode and is TTL/CMOS compatible. A low logic level places the device in the shutdown mode, which reduces input supply current to near zero and places both driver and receiver outputs in a high-impedance state. This input is not available on the LT1081.
R1IN	14 [13]	I	Receiver input. Accepts EIA-232 voltage levels (± 30 V) and has hysteresis to provide noise immunity.
R2IN	9 [8]	I	Same as R1IN
R1OUT	13 [12]	O	Receiver output with TTL/CMOS voltage levels. Output is in a high-impedance state when in the shutdown mode or when $V_{CC} = 0$ to allow bus operation. Fully short-circuit protected to GND or V_{CC} with power on, power off, or in the shutdown mode.
R2OUT	10 [9]	O	Same as R1OUT
T1IN	12 [11]	I	EIA-232 driver input pin. Input is TTL/CMOS compatible. Unused inputs should be tied to V_{CC} .
T2IN	11 [10]	I	Same as T1IN
T1OUT	15 [14]	O	Driver output with EIA-232 voltage levels. Outputs are in a high-impedance state when in the shutdown mode or when $V_{CC} = 0$ to allow bus operation. Fully short-circuit protected to GND or V_{CC} with power on, power off, or in the shutdown mode.
T2OUT	8 [7]	O	Same as T1OUT
V_{S+}	3 [2]		Positive supply for EIA-232 drivers. Requires an external capacitor (1- μ F) for charge storage.
V_{S-}	7 [6]		Negative supply for EIA-232 drivers. Requires an external capacitor (1- μ F) for charge storage.
V_{CC}	17 [16]		Input supply pin. Supply current drops to near zero in the shutdown mode. Driver and receiver outputs are in a high-impedance state when $V_{CC} = 0$.

† Pin numbers in brackets are for the LT1081.



absolute maximum ratings over operating free-air temperature range (unless otherwise noted)

Supply voltage, V_{CC} (see Note 1)	6 V
Positive output supply voltage	12 V
Negative output supply voltage	–12 V
Input voltage range: Driver	± 12 V
Receiver	± 30 V
ON/OFF	GND to 12 V
Output voltage range: T1OUT, T2OUT	$V_{S-} + 30$ V to $V_{S+} - 30$ V
R1OUT, R2OUT	–0.3 V to $V_{CC} + 0.3$ V
Duration of output short circuit at (or below) 25°C: V_{S+}	30 s
V_{S-}	30 s
Driver or receiver output	unlimited
Continuous total dissipation	See Dissipation Rating Table
Operating free-air temperature range: LT1080C, LT1081C	0°C to 70°C
LT1080I, LT1081I	–40°C to 85°C
Storage temperature range	–65°C to 150°C
Lead temperature 1,6 mm (1/16 inch) from case for 10 seconds	260°C

NOTE 1: All voltage values are with respect to network ground terminal.

DISSIPATION RATING TABLE

PACKAGE	$T_A \leq 25^\circ\text{C}$ POWER RATING	DERATING FACTOR ABOVE $T_A = 25^\circ\text{C}$	$T_A = 70^\circ\text{C}$ POWER RATING	$T_A = 85^\circ\text{C}$ POWER RATING
DW	1025 mW	8.2 mW/°C	656 mW	533 mW
N	1150 mW	9.2 mW/°C	736 mW	598 mW

recommended operating conditions

	LT1080C, LT1081C			LT1080I, LT1081I			UNIT
	MIN	TYP	MAX	MIN	TYP	MAX	
Supply voltage, V_{CC}	4.5	5	5.5	4.5	5	5.5	V
High-level input voltage, V_{IH} (T1IN, T2IN)	2		5.5	2		5.5	V
Low-level input voltage, V_{IL} (T1IN, T2IN)			0.8			0.8	V
Operating free-air temperature, T_A	0		70	–40		85	°C

LT1080, LT1081
ADVANCED LOW-POWER
5-V DUAL EIA-232 DRIVER/RECEIVERS
 SLLS050A – D3121, SEPTEMBER 1989 – REVISED FEBRUARY 1991

electrical characteristics over recommended ranges of supply voltage and operating free-air temperature, $V_I = 3\text{ V}$ (unless otherwise noted)

driver section

PARAMETER	TEST CONDITIONS	MIN	TYP†	MAX	UNIT
V_{OM+} Positive-peak output voltage	$R_L = 3\text{ k}\Omega$ to GND	5	7.5		V
V_{OM-} Negative-peak output voltage	$R_L = 3\text{ k}\Omega$ to GND	-5	-6.5		V
I_{IH} High-level input current	$V_I = 2\text{ V}$ to 5.5 V		5	20	μA
I_{IL} Low-level input current	$V_I \leq 0.8\text{ V}$		-5	-20	μA
I_{OHS} Output short-circuit current (sourcing)	$V_I = 0$, $V_O = 0$, $T_A = 25^\circ\text{C}$	-7	12		mA
I_{OLS} Output short-circuit current (sinking)	$V_I = 2\text{ V}$, $V_O = 0$, $T_A = 25^\circ\text{C}$	7	-12		mA
I_{OZ} High-impedance output current	Shutdown mode, $V_O = \pm 30\text{ V}$			100	μA

receiver section

PARAMETER	TEST CONDITIONS	MIN	TYP†	MAX	UNIT
V_{T+} Positive-going input threshold voltage	LT1080C, LT1081C		1.7	2.4	V
	LT1080I, LT1081I		1.7	3	
V_{T-} Negative-going input threshold voltage	LT1080C, LT1081C	0.8	1.3		V
	LT1080I, LT1081I	0.2	1.3		
V_{hys} Input hysteresis		0.1	0.4	1	V
r_i Input resistance	$T_A = 25^\circ\text{C}$	3	5	7	k Ω
V_{OH} High-level output voltage	$I_{OH} = -160\text{ }\mu\text{A}$, $V_{CC} = 5\text{ V}$	3.5	4.8		V
V_{OL} Low-level output voltage	$I_{OL} = 1.6\text{ mA}$		0.2	0.4	V
I_{OSH} Output short-circuit current (sourcing)	$V_I = 3\text{ V}$, $V_O = 0$, $T_A = 25^\circ\text{C}$	-0.6	-1		mA
I_{OSL} Output short-circuit current (sinking)	$V_I = 3\text{ V}$, $V_O = V_{CC}$, $T_A = 25^\circ\text{C}$	10	20		mA
I_{OZ} High-impedance output current	Shutdown mode, $V_O = 0$ to V_{CC}			10	μA

power supply section, $V_{CC} = 5\text{ V}$, driver outputs low (unless otherwise noted)

PARAMETER	TEST CONDITIONS	MIN	TYP†	MAX	UNIT
V_{S+} Supply output voltage	$I_S = 0$, $T_A = 25^\circ\text{C}$	8	9		V
	$I_S = 10\text{ mA}$, $T_A = 25^\circ\text{C}$	7	8		
	$I_S = 15\text{ mA}$, $T_A = 25^\circ\text{C}$	6.5	7.5		
V_{S-} Supply output voltage	$I_S = 0$, $T_A = 25^\circ\text{C}$	-7.5	-8.5		V
	$I_S = 10\text{ mA}$, $T_A = 25^\circ\text{C}$	-5.5	-6.5		
	$I_S = 15\text{ mA}$, $T_A = 25^\circ\text{C}$	-5	-6		
I_{CC} Supply current			10	22	mA
$I_{CC(off)}$ Off-state supply current (LT1080)	ON/OFF at 0.4 V			100	μA
I_I Input current (ON/OFF) (LT1080)	$V_I = 5\text{ V}$			80	μA
	$V_I = 0\text{ V}$			-15	

† All typical values are at $V_{CC} = 5\text{ V}$, $T_A = 25^\circ\text{C}$.

operating characteristics over recommended range of supply voltage, $V_I = 3\text{ V}$, $T_A = 25^\circ\text{C}$

PARAMETER	TEST CONDITIONS	MIN	TYP	MAX	UNIT
SR Driver slew rate	$R_L = 3\text{ k}\Omega$ to $7\text{ k}\Omega$, $C_L = 560\text{ pF}$, See Note 2	4	15	30	V/ μs
$t_r(\text{supply})$ Supply rise time (see Note 3)	$C1 - C4 = 1\text{ }\mu\text{F}$		1		ms

NOTES: 2. Meets EIA-232-D specifications for capacitive loads greater than 560 pF .

3. Time from either shutdown input ON/OFF (LT1080) goes active high or V_{CC} power on (LT1081) until the output voltages reach $V_{S+} \geq 6\text{ V}$ and $V_{S-} \leq -6\text{ V}$.



TYPICAL CHARACTERISTICS†

HIGH- AND LOW-LEVEL
 DRIVER OUTPUT VOLTAGE
 vs
 FREE-AIR TEMPERATURE

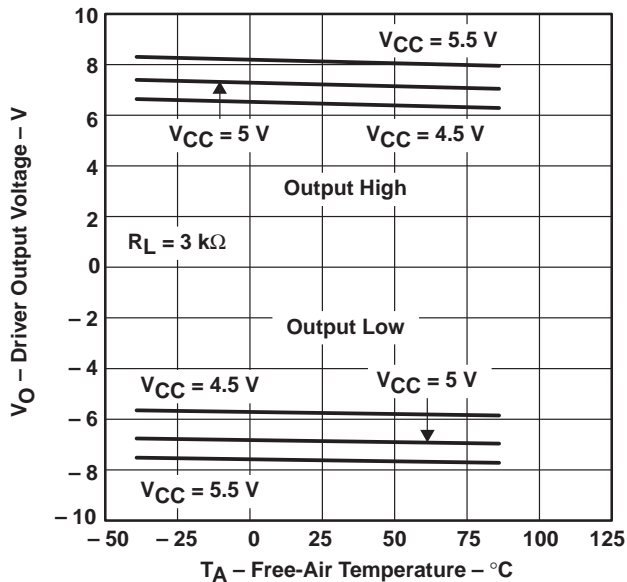


Figure 1

HIGH-IMPEDANCE
 DRIVER OUTPUT CURRENT
 vs
 FREE-AIR TEMPERATURE

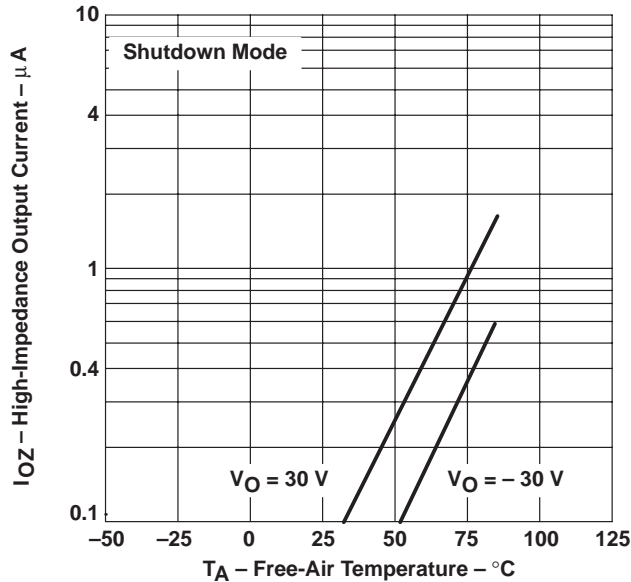


Figure 2

POSITIVE-GOING AND NEGATIVE-GOING
 RECEIVER INPUT THRESHOLD VOLTAGE
 vs
 FREE-AIR TEMPERATURE

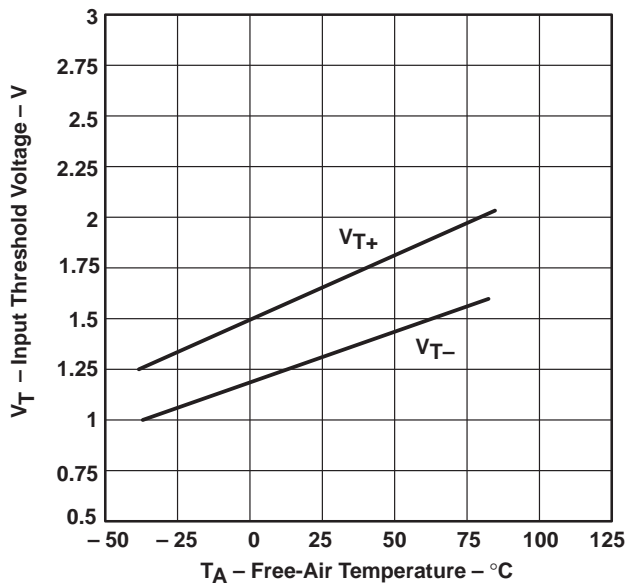


Figure 3

RECEIVER SOURCE CURRENT
 AND SINK CURRENT
 vs
 FREE-AIR TEMPERATURE

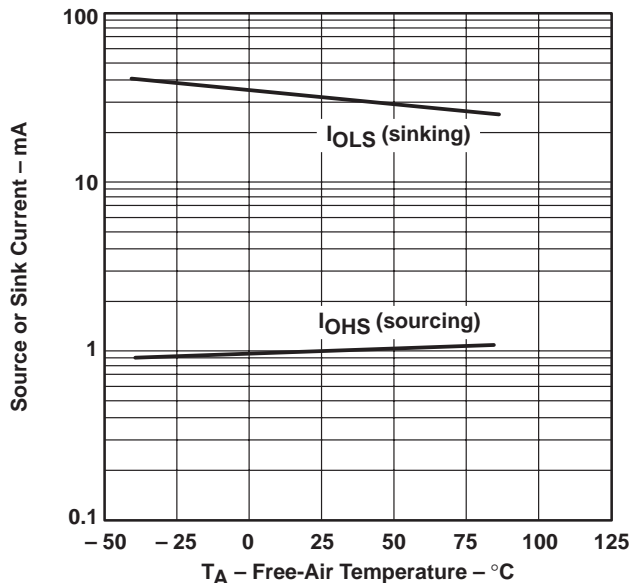
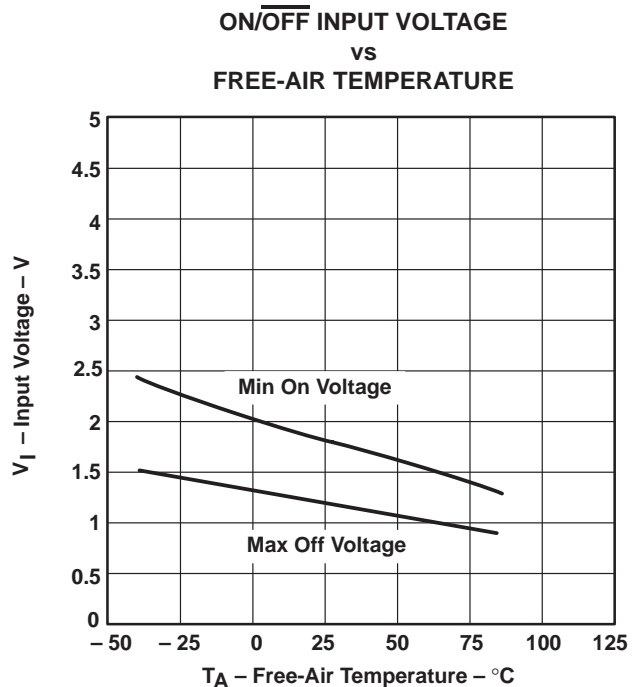
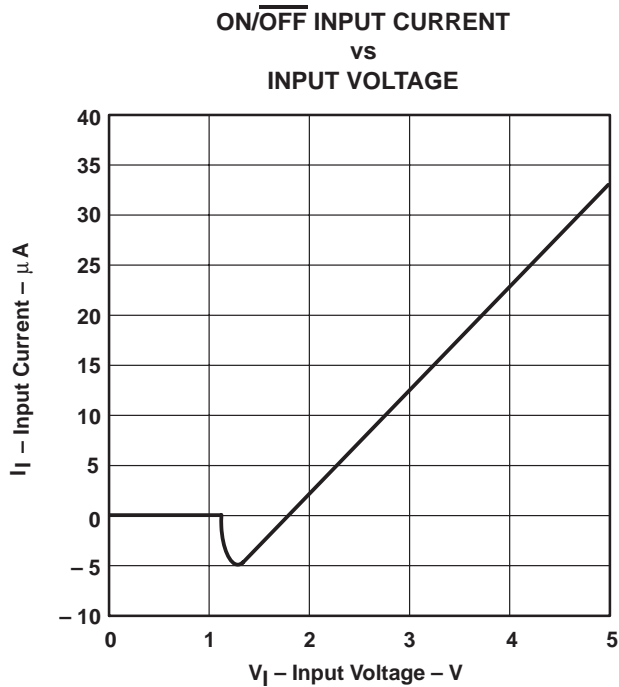
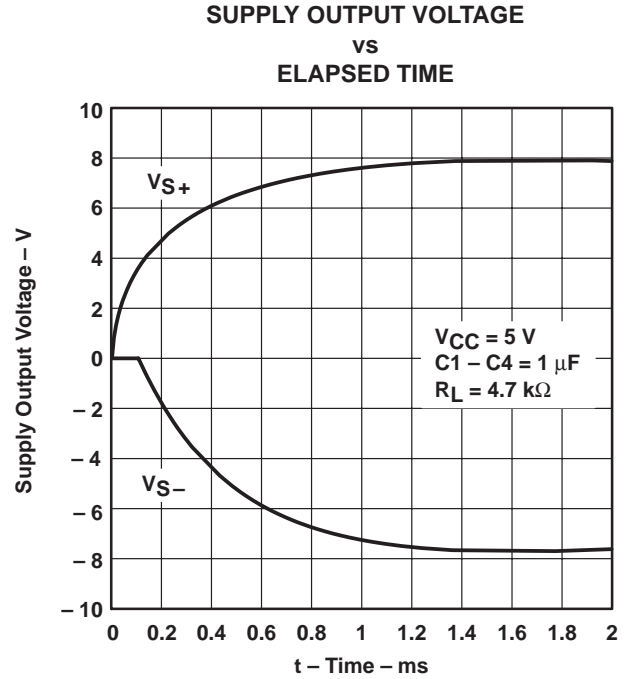
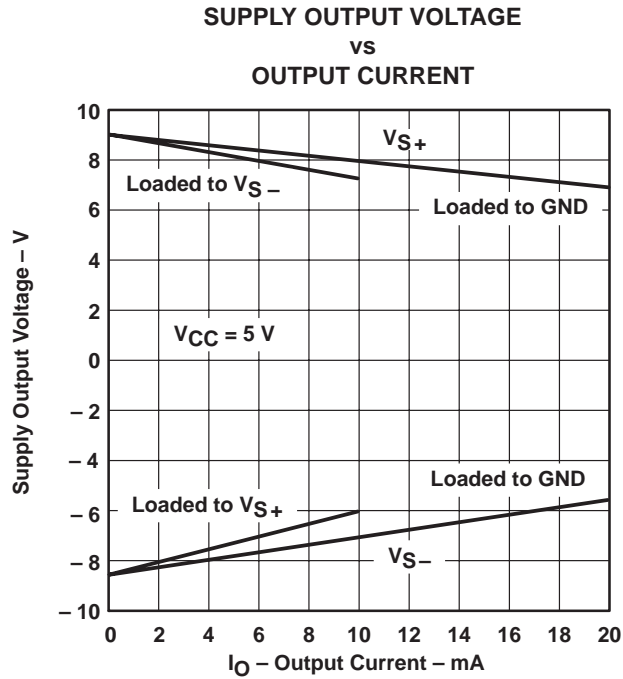


Figure 4

† Data at high and low temperatures are applicable only within the rated operating free-air temperature ranges of the various devices.

TYPICAL CHARACTERISTICS†



† Data at high and low temperatures are applicable only within the rated operating free-air temperature ranges of the various devices.

TYPICAL CHARACTERISTICS†

OFF-STATE SUPPLY CURRENT
 vs
 FREE-AIR TEMPERATURE

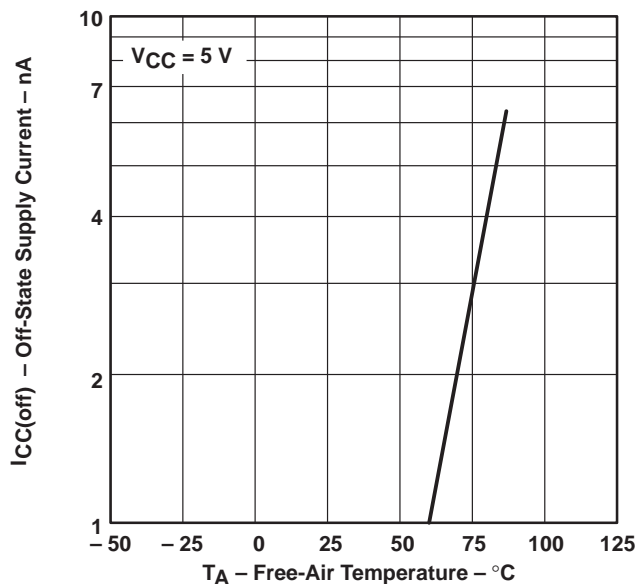


Figure 9

DRIVER and RECEIVER
 PULSE RESPONSE

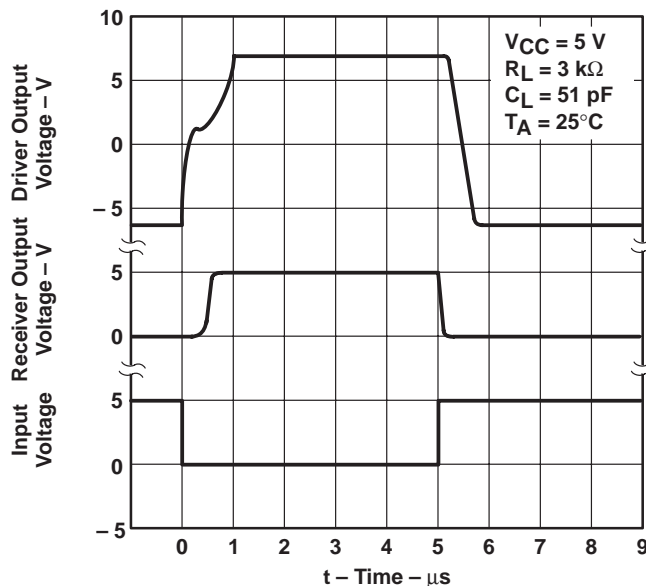


Figure 10

ON/OFF TO DRIVER OUTPUT
 PULSE RESPONSE

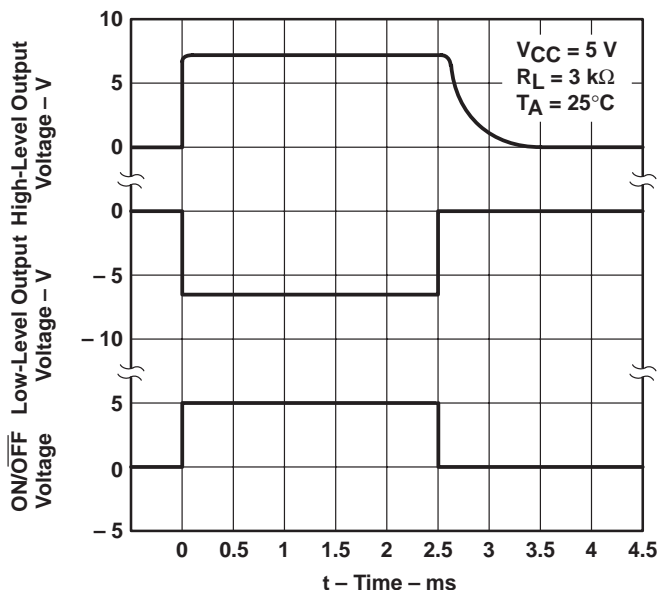


Figure 11

ON/OFF TO RECEIVER
 PULSE RESPONSE

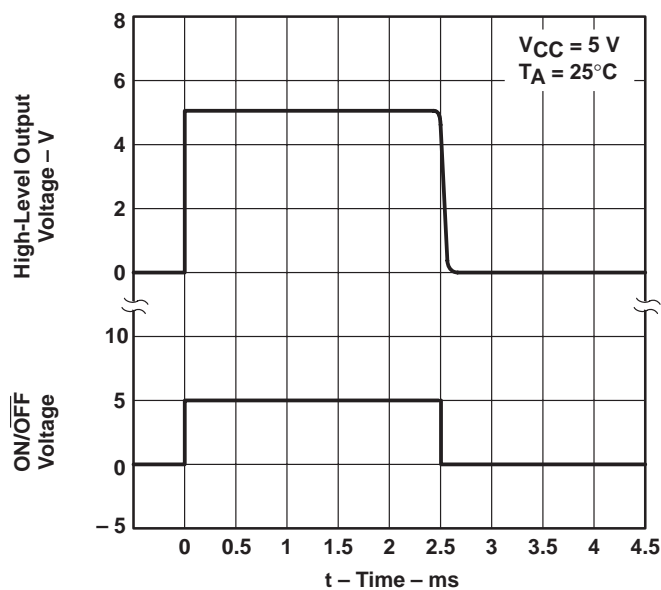


Figure 12

† Data at high and low temperatures are applicable only within the rated operating free-air temperature ranges of the various devices.

APPLICATION INFORMATION

The driver output stage of the LT1080 offers significantly improved protection over older bipolar and CMOS designs (see Figures 13 and 14). In addition to limiting current, the driver output can be externally forced to ± 30 V without damage, excessive current flow, or supply disruption. Some drivers have diodes connected between the outputs and the supplies, allowing externally applied voltages to cause excessive supply voltage to develop.

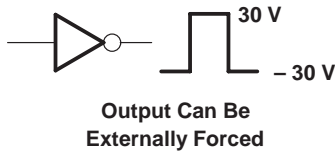


Figure 13. LT1080/LT1081 Driver

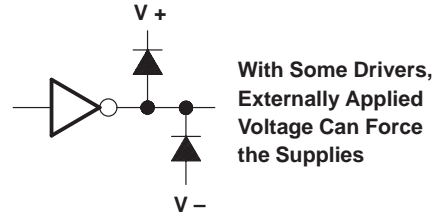


Figure 14. Older EIA-232 Drivers and CMOS Drivers

Placing the LT1080 in the shutdown mode (pin 18 low) puts both the driver and receiver outputs in a high-impedance state. This allows for bus operation and transceiver applications (see Figures 15–17). The shutdown mode also drops input supply current (V_{CC}) to near zero for power-conscious systems.

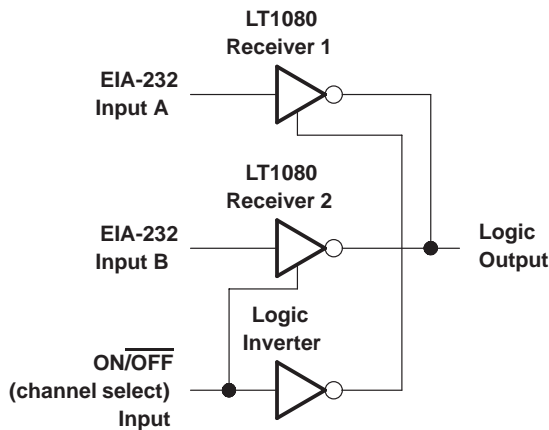


Figure 15. Sharing a Receiver Line

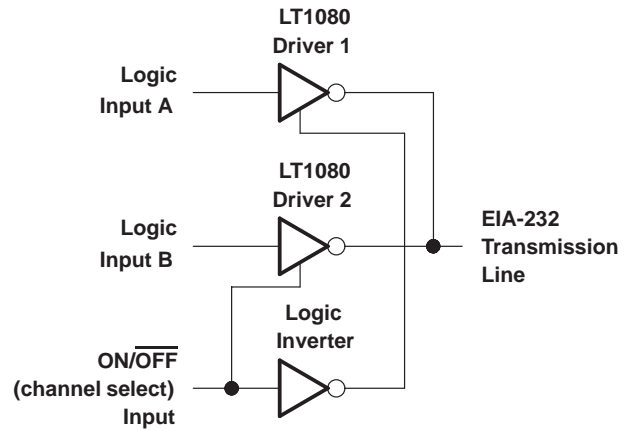


Figure 16. Sharing a Transmitter Line

APPLICATION INFORMATION

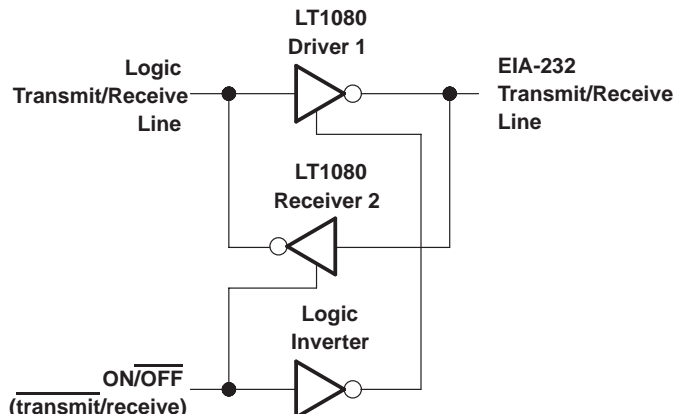
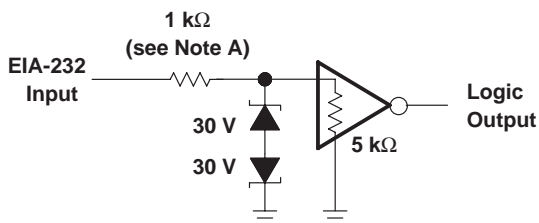


Figure 17. Transceiver

To protect against receiver input overloads in excess of ± 30 V, a voltage clamp can be placed on the data line and still maintain EIA-232 compatibility (see Figure 18).

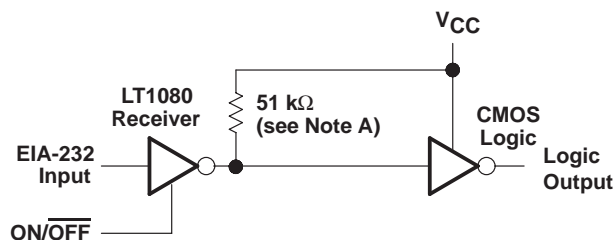
When driving CMOS logic from a receiver that will be used in the shutdown mode and when there is no other active receiver on the line, a 51-k Ω resistor can be placed from the logic input to V_{CC} to force a definite logic level when the receiver output is in a high-impedance state (see Figure 19).

The generated driver supplies (V_{S+} and V_{S-}) may be used to power external circuitry such as other EIA-232 drivers or operational amplifiers (see Figure 20). They should be loaded with care, since excessive loading can cause the generated supply voltages to drop, causing the EIA-232 driver output voltages to fall below EIA-232 requirements. See Figure 5 for a comparison of generated supply voltage versus supply current.



NOTE A: A PTC thermistor will allow continuous overload of greater than ± 100 V.

Figure 18. Input Overload Protection



NOTE A: Forces logic input state when V_I is low.

Figure 19. Forcing a Definite Logic Level

APPLICATION INFORMATION

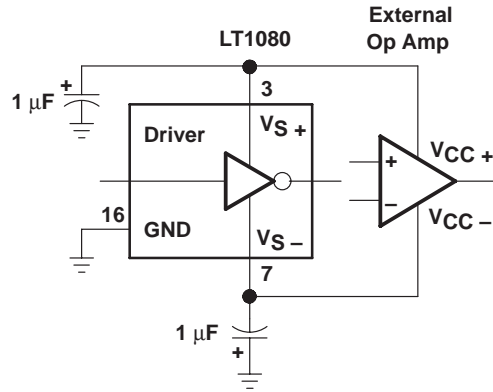
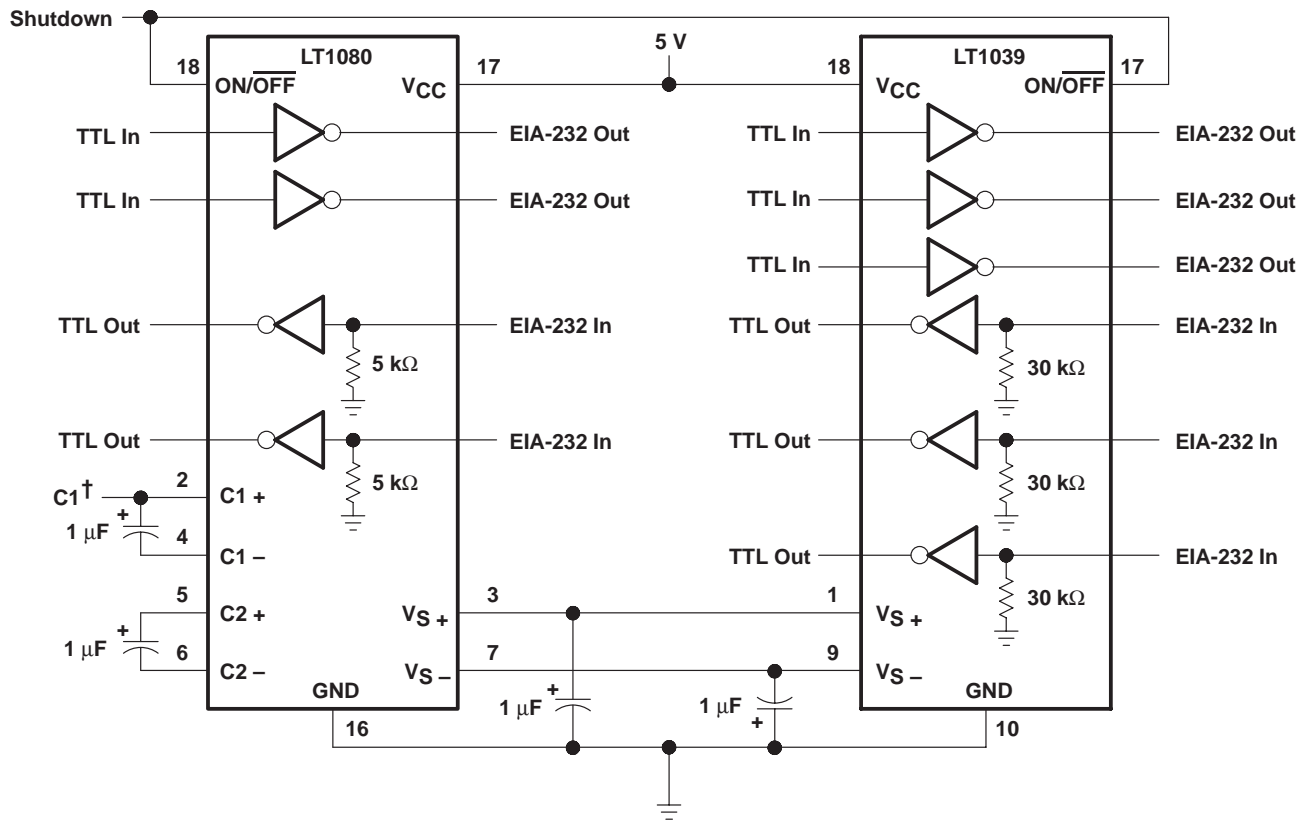


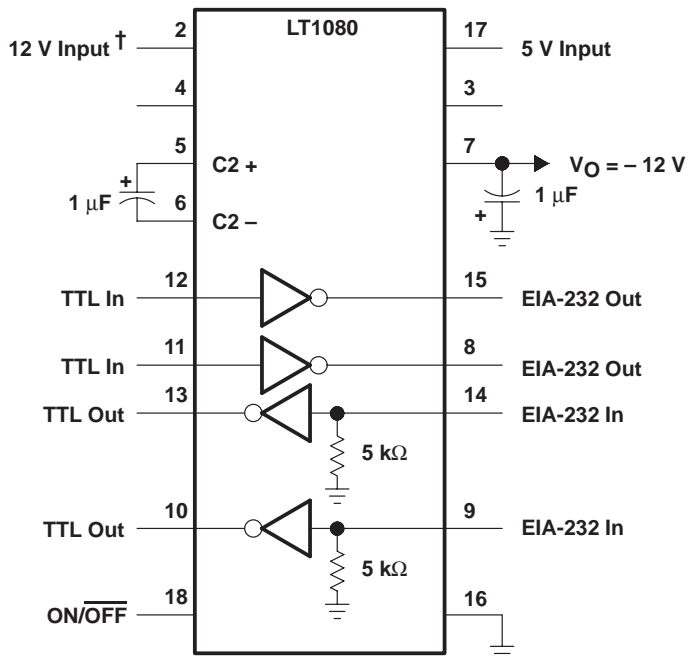
Figure 20. Powering External Circuitry



† In applications in which a separate second positive supply is available (such as 5 V and 12 V), the 12-V supply may be connected to pin 2 and C1 deleted. The power circuitry will then invert the 12-V supply. The 5-V supply is still needed to power the biasing circuitry and receivers.

Figure 21. Supporting an LT1039 (Triple Driver/Receiver)

APPLICATION INFORMATION



† C1+ used on LT1081

Figure 22. Operating With 5 V and 12 V

PACKAGING INFORMATION

Orderable Device	Status ⁽¹⁾	Package Type	Package Drawing	Pins	Package Qty	Eco Plan ⁽²⁾	Lead/Ball Finish	MSL Peak Temp ⁽³⁾
LT1081CN	OBSOLETE	PDIP	N	16		TBD	Call TI	Call TI

⁽¹⁾ The marketing status values are defined as follows:

ACTIVE: Product device recommended for new designs.

LIFEBUY: TI has announced that the device will be discontinued, and a lifetime-buy period is in effect.

NRND: Not recommended for new designs. Device is in production to support existing customers, but TI does not recommend using this part in a new design.

PREVIEW: Device has been announced but is not in production. Samples may or may not be available.

OBSOLETE: TI has discontinued the production of the device.

⁽²⁾ Eco Plan - The planned eco-friendly classification: Pb-Free (RoHS) or Green (RoHS & no Sb/Br) - please check <http://www.ti.com/productcontent> for the latest availability information and additional product content details.

TBD: The Pb-Free/Green conversion plan has not been defined.

Pb-Free (RoHS): TI's terms "Lead-Free" or "Pb-Free" mean semiconductor products that are compatible with the current RoHS requirements for all 6 substances, including the requirement that lead not exceed 0.1% by weight in homogeneous materials. Where designed to be soldered at high temperatures, TI Pb-Free products are suitable for use in specified lead-free processes.

Green (RoHS & no Sb/Br): TI defines "Green" to mean Pb-Free (RoHS compatible), and free of Bromine (Br) and Antimony (Sb) based flame retardants (Br or Sb do not exceed 0.1% by weight in homogeneous material)

⁽³⁾ MSL, Peak Temp. -- The Moisture Sensitivity Level rating according to the JEDEC industry standard classifications, and peak solder temperature.

Important Information and Disclaimer:The information provided on this page represents TI's knowledge and belief as of the date that it is provided. TI bases its knowledge and belief on information provided by third parties, and makes no representation or warranty as to the accuracy of such information. Efforts are underway to better integrate information from third parties. TI has taken and continues to take reasonable steps to provide representative and accurate information but may not have conducted destructive testing or chemical analysis on incoming materials and chemicals. TI and TI suppliers consider certain information to be proprietary, and thus CAS numbers and other limited information may not be available for release.

In no event shall TI's liability arising out of such information exceed the total purchase price of the TI part(s) at issue in this document sold by TI to Customer on an annual basis.

IMPORTANT NOTICE

Texas Instruments Incorporated and its subsidiaries (TI) reserve the right to make corrections, modifications, enhancements, improvements, and other changes to its products and services at any time and to discontinue any product or service without notice. Customers should obtain the latest relevant information before placing orders and should verify that such information is current and complete. All products are sold subject to TI's terms and conditions of sale supplied at the time of order acknowledgment.

TI warrants performance of its hardware products to the specifications applicable at the time of sale in accordance with TI's standard warranty. Testing and other quality control techniques are used to the extent TI deems necessary to support this warranty. Except where mandated by government requirements, testing of all parameters of each product is not necessarily performed.

TI assumes no liability for applications assistance or customer product design. Customers are responsible for their products and applications using TI components. To minimize the risks associated with customer products and applications, customers should provide adequate design and operating safeguards.

TI does not warrant or represent that any license, either express or implied, is granted under any TI patent right, copyright, mask work right, or other TI intellectual property right relating to any combination, machine, or process in which TI products or services are used. Information published by TI regarding third-party products or services does not constitute a license from TI to use such products or services or a warranty or endorsement thereof. Use of such information may require a license from a third party under the patents or other intellectual property of the third party, or a license from TI under the patents or other intellectual property of TI.

Reproduction of TI information in TI data books or data sheets is permissible only if reproduction is without alteration and is accompanied by all associated warranties, conditions, limitations, and notices. Reproduction of this information with alteration is an unfair and deceptive business practice. TI is not responsible or liable for such altered documentation. Information of third parties may be subject to additional restrictions.

Resale of TI products or services with statements different from or beyond the parameters stated by TI for that product or service voids all express and any implied warranties for the associated TI product or service and is an unfair and deceptive business practice. TI is not responsible or liable for any such statements.

TI products are not authorized for use in safety-critical applications (such as life support) where a failure of the TI product would reasonably be expected to cause severe personal injury or death, unless officers of the parties have executed an agreement specifically governing such use. Buyers represent that they have all necessary expertise in the safety and regulatory ramifications of their applications, and acknowledge and agree that they are solely responsible for all legal, regulatory and safety-related requirements concerning their products and any use of TI products in such safety-critical applications, notwithstanding any applications-related information or support that may be provided by TI. Further, Buyers must fully indemnify TI and its representatives against any damages arising out of the use of TI products in such safety-critical applications.

TI products are neither designed nor intended for use in military/aerospace applications or environments unless the TI products are specifically designated by TI as military-grade or "enhanced plastic." Only products designated by TI as military-grade meet military specifications. Buyers acknowledge and agree that any such use of TI products which TI has not designated as military-grade is solely at the Buyer's risk, and that they are solely responsible for compliance with all legal and regulatory requirements in connection with such use.

TI products are neither designed nor intended for use in automotive applications or environments unless the specific TI products are designated by TI as compliant with ISO/TS 16949 requirements. Buyers acknowledge and agree that, if they use any non-designated products in automotive applications, TI will not be responsible for any failure to meet such requirements.

Following are URLs where you can obtain information on other Texas Instruments products and application solutions:

Products		Applications	
Amplifiers	amplifier.ti.com	Audio	www.ti.com/audio
Data Converters	dataconverter.ti.com	Automotive	www.ti.com/automotive
DLP® Products	www.dlp.com	Communications and Telecom	www.ti.com/communications
DSP	dsp.ti.com	Computers and Peripherals	www.ti.com/computers
Clocks and Timers	www.ti.com/clocks	Consumer Electronics	www.ti.com/consumer-apps
Interface	interface.ti.com	Energy	www.ti.com/energy
Logic	logic.ti.com	Industrial	www.ti.com/industrial
Power Mgmt	power.ti.com	Medical	www.ti.com/medical
Microcontrollers	microcontroller.ti.com	Security	www.ti.com/security
RFID	www.ti-rfid.com	Space, Avionics & Defense	www.ti.com/space-avionics-defense
RF/IF and ZigBee® Solutions	www.ti.com/lprf	Video and Imaging	www.ti.com/video
		Wireless	www.ti.com/wireless-apps