

NC7S08 TinyLogic™ HS 2-Input AND Gate

General Description

The NC7S08 is a single 2-Input high performance CMOS AND Gate. Advanced Silicon Gate CMOS fabrication assures high speed and low power circuit operation over a broad V_{CC} range. ESD protection diodes inherently guard both inputs and output with respect to the V_{CC} and GND rails. Three stages of gain between inputs and outputs assures high noise immunity and reduced sensitivity to input edge rate.

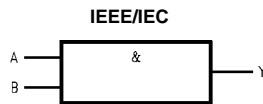
Features

- Space saving SOT23 or SC70 5-lead package
- High Speed; t_{PD} 3.5 ns typ
- Low Quiescent Power; $I_{CC} < 1 \mu A$
- Balanced Output Drive; 2 mA I_{OL} , -2 mA I_{OH}
- Broad V_{CC} Operating Range; 2V-6V
- Balanced Propagation Delays
- Specified for 3V operation

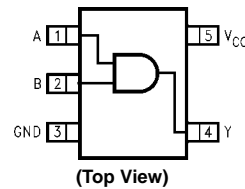
Ordering Code:

| Order Number | Package Number | Package Top Mark | Package Description | Supplied As |
|--------------|----------------|------------------|---------------------------------------|----------------------------|
| NC7S08M5 | MA05B | 7S08 | 5-Lead SOT23, JEDEC MO-178, 1.6mm | 250 Units on Tape and Reel |
| NC7S08M5X | MA05B | 7S08 | 5-Lead SOT23, JEDEC MO-178, 1.6mm | 3k Units on Tape and Reel |
| NC7S08P5 | MAA05A | S08 | 5-Lead SC70, EIAJ SC-88a, 1.25mm Wide | 250 Units on Tape and Reel |
| NC7S08P5X | MAA05A | S08 | 5-Lead SC70, EIAJ SC-88a, 1.25mm Wide | 3k Units on Tape and Reel |

Logic Symbol



Connection Diagram



Pin Descriptions

| Pin Names | Description |
|-----------|-------------|
| A, B | Inputs |
| Y | Output |

Function Table

$Y = AB$

| Inputs | | Output |
|--------|---|--------|
| A | B | Y |
| L | L | L |
| L | H | L |
| H | L | L |
| H | H | H |

H = HIGH Logic Level
L = LOW Logic Level

TinyLogic™ is a trademark of Fairchild Semiconductor Corporation.

Absolute Maximum Ratings (Note 1)

| | |
|--|--------------------------|
| Supply Voltage (V_{CC}) | -0.5V to +7.0V |
| DC Input Diode Current (I_{IK}) | |
| @ $V_{IN} \leq -0.5V$ | -20 mA |
| @ $V_{IN} \geq V_{CC} + 0.5V$ | +20 mA |
| DC Input Voltage (V_{IN}) | -0.5V to $V_{CC} + 0.5V$ |
| DC Output Diode Current (I_{OK}) | |
| @ $V_{OUT} < -0.5V$ | -20 mA |
| @ $V_{OUT} > V_{CC} + 0.5V$ | +20 mA |
| DC Output Voltage (V_{OUT}) | -0.5V to $V_{CC} + 0.5V$ |
| DC Output Source | |
| or Sink Current (I_{OUT}) | ± 12.5 mA |
| DC V_{CC} or Ground Current | |
| per Output Pin (I_{CC} or I_{GND}) | ± 25 mA |
| Storage Temperature (T_{STG}) | -65°C to +150°C |
| Junction Temperature (T_J) | 150°C |
| Lead Temperature (T_L); | |
| (Soldering, 10 seconds) | 260°C |
| Power Dissipation (P_D) @+85°C | |
| SOT23-5 | 200 mW |
| SC70-5 | 150 mW |

Recommended Operating Conditions (Note 2)

| | |
|---|----------------|
| Supply Voltage (V_{CC}) | 2.0V to 6.0V |
| Input Voltage (V_{IN}) | 0V to V_{CC} |
| Output Voltage (V_{OUT}) | 0V to V_{CC} |
| Operating Temperature (T_A) | -40°C to +85°C |
| Input Rise and Fall Time (t_r, t_f) | |
| V_{CC} @ 2.0V | 0 to 1000 ns |
| V_{CC} @ 3.0V | 0 to 750 ns |
| V_{CC} @ 4.5V | 0 to 500 ns |
| V_{CC} @ 6.0V | 0 to 400 ns |
| Thermal Resistance (θ_{JA}) | |
| SOT23-5 | 300°C/W |
| SC70-5 | 425°C/W |

Note 1: Absolute maximum ratings are those values beyond which damage to the device may occur. The databook specifications should be met, without exception, to ensure that the system design is reliable over its power supply, temperature, and output/input loading variables. Fairchild does not recommend operation of circuits outside databook specifications.

Note 2: Unused inputs must be held HIGH or LOW. They may not float.

DC Electrical Characteristics

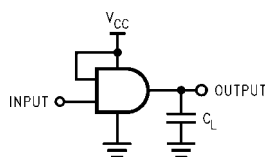
| Symbol | Parameter | V_{CC} (V) | $T_A = +25^\circ\text{C}$ | | | $T_A = -40^\circ\text{C to } +85^\circ\text{C}$ | | Units | Conditions | |
|----------|---------------------------|-----------------|---------------------------|------|--------------|---|--------------|---------------|---|---|
| | | | Min | Typ | Max | Min | Max | | | |
| V_{IH} | HIGH Level Input Voltage | 2.0 | 1.50 | | | 1.50 | | V | | |
| | | 3.0-6.0 | 0.7 V_{CC} | | | 0.7 V_{CC} | | | | |
| V_{IL} | LOW Level Input Voltage | 2.0 | | | 0.50 | | 0.50 | V | | |
| | | 3.0-6.0 | | | 0.3 V_{CC} | | 0.3 V_{CC} | | | |
| V_{OH} | HIGH Level Output Voltage | 2.0 | 1.90 | 2.0 | | 1.90 | | V | $I_{OH} = -20 \mu\text{A}$ $V_{IN} = V_{IH}$ | |
| | | 3.0 | 2.90 | 3.0 | | 2.90 | | | | |
| | | 4.5 | 4.40 | 4.5 | | 4.40 | | | | |
| | | 6.0 | 5.90 | 6.0 | | 5.90 | | | | |
| | | | 3.0 | 2.68 | 2.85 | | 2.63 | | V | $V_{IN} = V_{IH}$ $I_{OH} = -1.3 \text{ mA}$ $I_{OH} = -2 \text{ mA}$ $I_{OH} = -2.6 \text{ mA}$ |
| | | | 4.5 | 4.18 | 4.35 | | 4.13 | | | |
| | | | 6.0 | 5.68 | 5.85 | | 5.63 | | | |
| | | | | | | | | | | |
| V_{OL} | LOW Level Output Voltage | 2.0 | | 0.0 | 0.10 | | 0.10 | V | $I_{OL} = 20 \mu\text{A}$ $V_{IN} = V_{IL}$ | |
| | | 3.0 | | 0.0 | 0.10 | | 0.10 | | | |
| | | 4.5 | | 0.0 | 0.10 | | 0.10 | | | |
| | | 6.0 | | 0.0 | 0.10 | | 0.10 | | | |
| | | | 3.0 | | 0.1 | 0.26 | | 0.33 | V | $V_{IN} = V_{IH} \text{ or } V_{IL}$ $I_{OH} = 1.3 \text{ mA}$ $I_{OL} = 2 \text{ mA}$ $I_{OL} = 2.6 \text{ mA}$ |
| | | | 4.5 | | 0.1 | 0.26 | | 0.33 | | |
| | | | 6.0 | | 0.1 | 0.26 | | 0.33 | | |
| | | | | | | | | | | |
| I_{IN} | Input Leakage Current | 6.0 | | | ± 0.1 | | ± 1.0 | μA | $V_{IN} = V_{CC}, \text{ GND}$ | |
| I_{CC} | Quiescent Supply Current | 6.0 | | | 1.0 | | 10.0 | μA | $V_{IN} = V_{CC}, \text{ GND}$ | |

AC Electrical Characteristics

| Symbol | Parameter | V _{CC} (V) | T _A = +25°C | | | T _A = -40°C to +85°C | | Units | Conditions | Fig. No. |
|--|-------------------------------|------------------------|------------------------|-----|-----|---------------------------------|-----|-------|------------------------|----------|
| | | | Min | Typ | Max | Min | Max | | | |
| t _{PLH} , t _{PHL} | Propagation Delay | 5.0 | | 3.5 | 15 | | | ns | C _L = 15 pF | Figure 1 |
| | | 2.0 | | 20 | 100 | | 125 | | C _L = 50 pF | Figure 3 |
| | | 3.0 | | 11 | 27 | | 35 | ns | | |
| | | 4.5 | | 8 | 20 | | 25 | | | |
| | | 6.0 | | 7 | 17 | | 21 | | | |
| t _{TLH} , t _{THL} | Output Transition Time | 5.0 | | 3.0 | 10 | | | ns | C _L = 15 pF | Figure 1 |
| | | 2.0 | | 25 | 125 | | 155 | | C _L = 50 pF | Figure 3 |
| | | 3.0 | | 16 | 35 | | 45 | ns | | |
| | | 4.5 | | 11 | 25 | | 31 | | | |
| | | 6.0 | | 9 | 21 | | 26 | | | |
| C _{IN} | Input Capacitance | Open | | 2 | 10 | | 10 | pF | | |
| C _{PD} | Power Dissipation Capacitance | 5.0 | | 6 | | | | pF | (Note 3) | Figure 2 |

Note 3: C_{PD} is defined as the value of the internal equivalent capacitance which is derived from dynamic operating current consumption (I_{CCD}) at no output loading and operating at 50% duty cycle. (See Figure 2.) C_{PD} is related to I_{CCD} dynamic operating current by the expression:
 $I_{CCD} = (C_{PD})(V_{CC})(f_{IN}) + (I_{CC} \text{static})$.

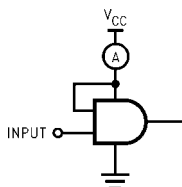
AC Loading and Waveforms



C_L includes load and stray capacitance

Input PRR = 1.0 MHz; t_w = 500 ns

FIGURE 1. AC Test Circuit



Input = AC Waveform;

PRR = variable; Duty Cycle = 50%

FIGURE 2. I_{CCD} Test Circuit

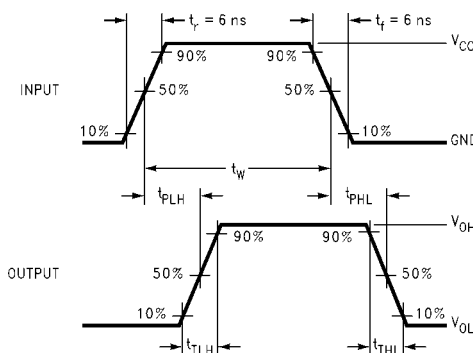


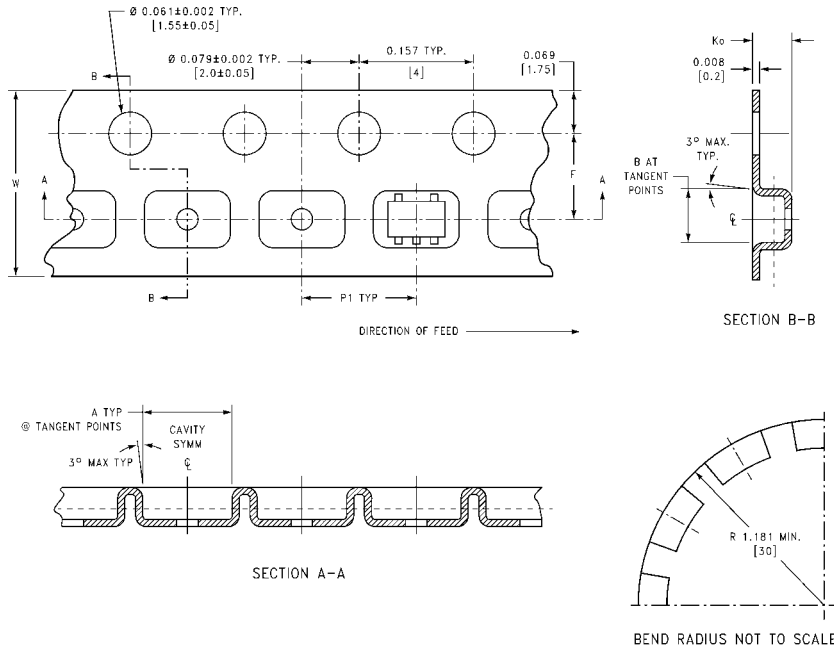
FIGURE 3. AC Waveforms

Tape and Reel Specification

TAPE FORMAT

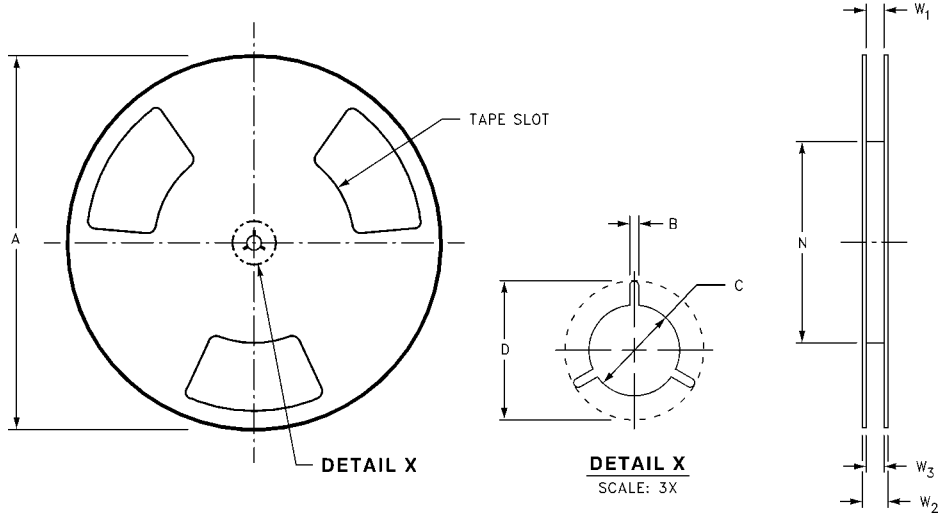
| Package Designator | Tape Section | Number Cavities | Cavity Status | Cover Tape Status |
|--------------------|--------------------|-----------------|---------------|-------------------|
| M5, P5 | Leader (Start End) | 125 (typ) | Empty | Sealed |
| | Carrier | 250 | Filled | Sealed |
| | Trailer (Hub End) | 75 (typ) | Empty | Sealed |
| M5X, P5X | Leader (Start End) | 125 (typ) | Empty | Sealed |
| | Carrier | 3000 | Filled | Sealed |
| | Trailer (Hub End) | 75 (typ) | Empty | Sealed |

TAPE DIMENSIONS inches (millimeters)



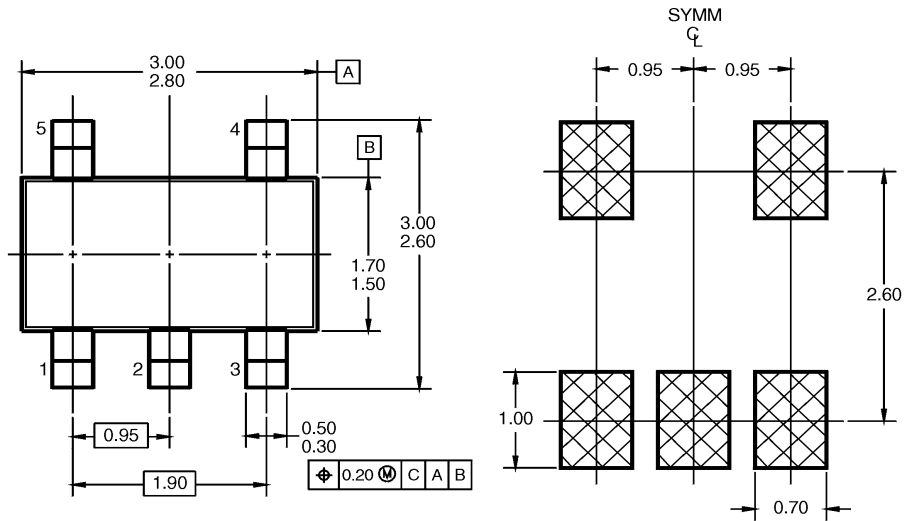
| Package | Tape Size | DIM A | DIM B | DIM F | DIM K ₀ | DIM P1 | DIM W |
|---------|-----------|-----------------|-----------------|-------------------------------|--------------------------------|--------------|----------------------------|
| SC70-5 | 8 mm | 0.093 (2.35) | 0.096 (2.45) | 0.138 ± 0.004 (3.5 ± 0.10) | 0.053 ± 0.004 (1.35 ± 0.10) | 0.157 (4) | 0.315 ± 0.004 (8 ± 0.1) |
| SOT23-5 | 8 mm | 0.130 (3.3) | 0.130 (3.3) | 0.138 ± 0.002 (3.5 ± 0.05) | 0.055 ± 0.004 (1.4 ± 0.11) | 0.157 (4) | 0.315 ± 0.012 (8 ± 0.3) |

REEL DIMENSIONS inches (millimeters)

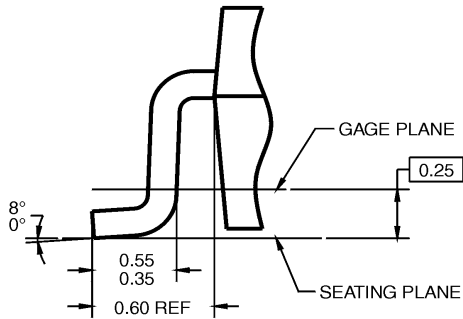
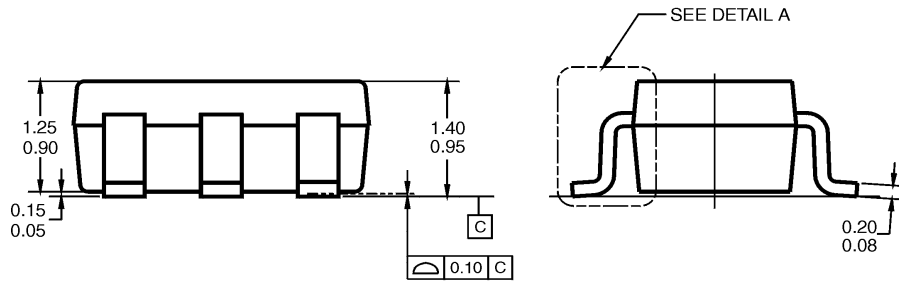


| Tape Size | A | B | C | D | N | W1 | W2 | W3 |
|-----------|----------------|-----------------|------------------|------------------|------------------|---|------------------|--|
| 8 mm | 7.0 (177.8) | 0.059 (1.50) | 0.512 (13.00) | 0.795 (20.20) | 2.165 (55.00) | 0.331 + 0.059/-0.000 (8.40 + 1.50/-0.00) | 0.567 (14.40) | W1 + 0.078/-0.039 (W1 + 2.00/-1.00) |

Physical Dimensions inches (millimeters) unless otherwise noted



LAND PATTERN RECOMMENDATION



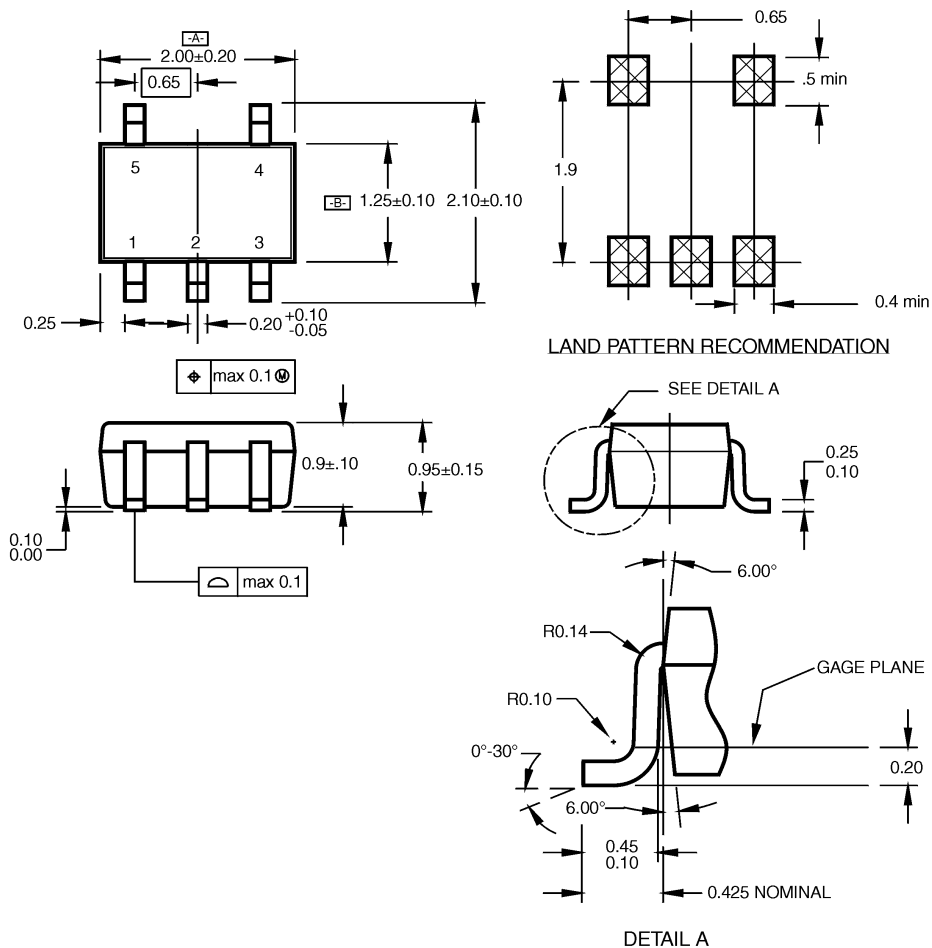
- NOTES: UNLESS OTHERWISE SPECIFIED
- A) THIS PACKAGE CONFORMS TO JEDEC MO-178, ISSUE B, VARIATION AA, DATED JANUARY 1999.
 - B) ALL DIMENSIONS ARE IN MILLIMETERS.

MA05BRevC

DETAIL A

**5-Lead SOT23, JEDEC MO-178, 1.6mm
Package Number MA05B**

Physical Dimensions inches (millimeters) unless otherwise noted (Continued)



NOTES:

- A. CONFORMS TO EIAJ REGISTERED OUTLINE DRAWING SC88A.
- B. DIMENSIONS DO NOT INCLUDE BURRS OR MOLD FLASH.
- C. DIMENSIONS ARE IN MILLIMETERS.

MAA05ARevC

**5-Lead SC70, EIAJ SC-88a, 1.25mm Wide
Package Number MAA05A**

Fairchild does not assume any responsibility for use of any circuitry described, no circuit patent licenses are implied and Fairchild reserves the right at any time without notice to change said circuitry and specifications.

LIFE SUPPORT POLICY

FAIRCHILD'S PRODUCTS ARE NOT AUTHORIZED FOR USE AS CRITICAL COMPONENTS IN LIFE SUPPORT DEVICES OR SYSTEMS WITHOUT THE EXPRESS WRITTEN APPROVAL OF THE PRESIDENT OF FAIRCHILD SEMICONDUCTOR CORPORATION. As used herein:

1. Life support devices or systems are devices or systems which, (a) are intended for surgical implant into the body, or (b) support or sustain life, and (c) whose failure to perform when properly used in accordance with instructions for use provided in the labeling, can be reasonably expected to result in a significant injury to the user.
2. A critical component in any component of a life support device or system whose failure to perform can be reasonably expected to cause the failure of the life support device or system, or to affect its safety or effectiveness.

www.fairchildsemi.com