

## LOW POWER VIDEO AMPLIFIER WITH Y-C MIXER

### ■ GENERAL DESCRIPTION

The **NJM2274** is a low power, 3V operation video amplifier with Y/C mixer and 75 ohm driver, which connect TV monitor directly.

The NJM2274 has mute function, and suitable for energy save products and any low power system, which are Digital Camera, DVC and other video amplifier system.

### ■ PACKAGE OUTLINE

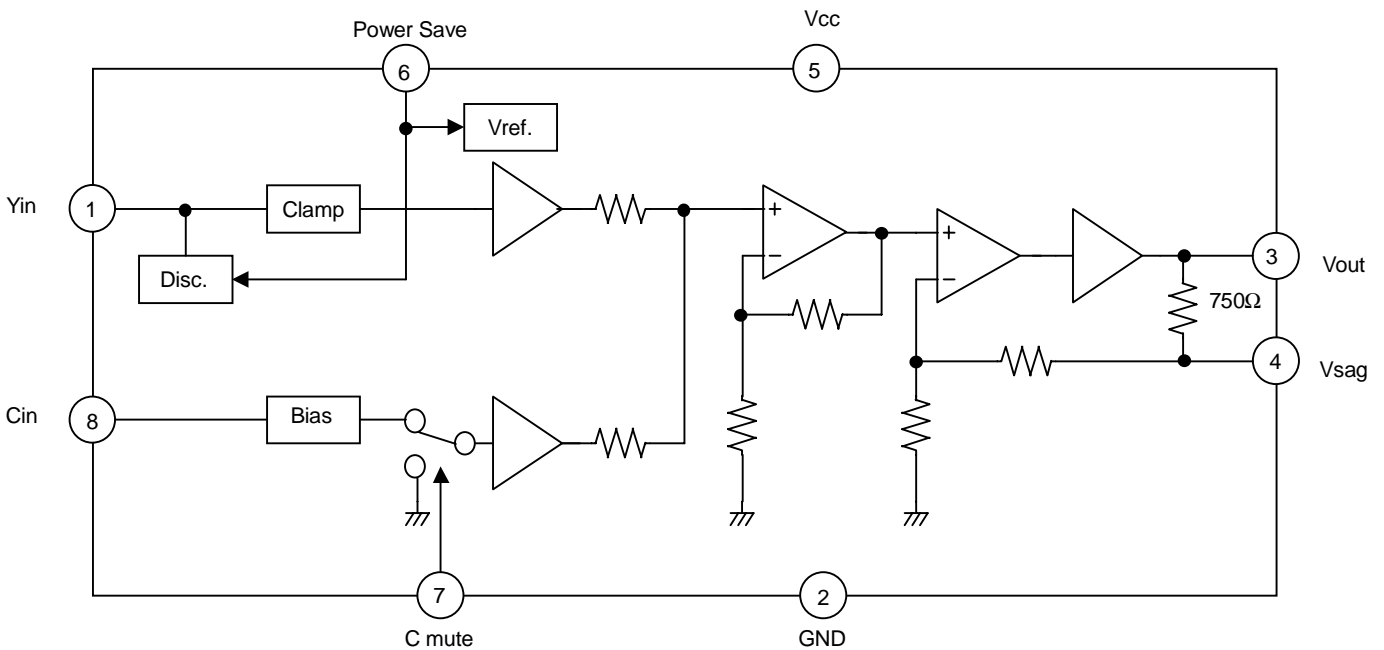


**NJM2274R**

### ■ FEATURES

- Low Operating Voltage 2.8 to 5.5V
- Internal Y/C MIX Circuit
- Y-input : Clamp  
C-input : Bias
- Operating Current 9.3mA typ. at  $V^+=3.0V$
- Operating Current at Power Save 0.9mA typ. at  $V^+=3.0V$
- Bipolar Technology
- Package Outline VSP8

### ■ BLOCK DIAGRAM



# NJM2274

## ■ ABOSOLUTE MAXIMUM RATINGS

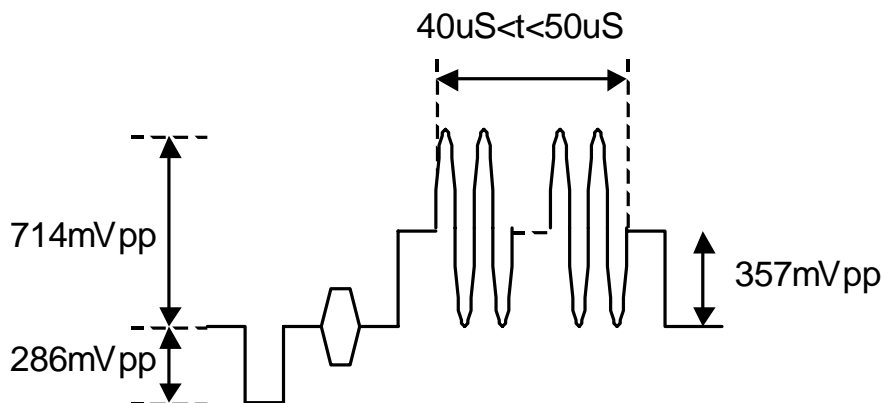
(Ta=25°C)

PARAMRTER	SYMBOL	RATINGS	UNIT
Supply Voltage	V <sup>+</sup>	7.0	V
Power Dissipation	P <sub>D</sub>	320	mW
Operating Temperature Range	Topr	-40 to +85	°C
Storage Temperature Range	Tstg	-40 to +125	°C

## ■ ELECTRICAL CHARACTERISTICS (V<sup>+</sup>=3.0V, Ta=25°C)

PARAMETER	SYMBOL	TEST CONDITION	MIN.	TYP.	MAX.	UNIT
Operating Voltage	Vopr		2.8	3.0	5.5	V
Operating Current	Iccq	No Signal	-	9.3	14.0	mA
Operating Current (Power Save Mode)	Iccs	Power Save Mode	-	0.9	1.4	mA
Maximum Output Voltage	Vom	f=1kHz, THD=1%	2.2	-	-	Vpp
Voltage Gain	Gv	Yin=100kHz, 0.5Vpp, Sine Video Signal (note)	11.9	12.4	12.9	dB
Frequency Characteristic	Gf	Yin=10MHz/100kHz, 0.5Vpp, Sine Video Signal (note)	-1.0	0	+1.0	dB
Differential Gain	DG	Yin=0.5Vpp, 10Step Video Signal	-	2.5	-	%
Differential Phase	DP	Yin=0.5Vpp, 10Step Video Signal	-	1.0	-	deg
Chroma Mute Cross talk	CT	Cin=4.43MHz, 0.1Vpp	-	-65	-	dB
S/N	SNv	Yin=0.5Vpp, 100%White Video Signal, Cin=AC gnd Wide Band 100kHz to 6MHz, RL=75ohm	-	-60	-	dB
Second Distortion	Hv	Yin=0.5Vpp, 3.58MHz Red Field Video Signal, Cin=AC gnd RL=75ohm	-	-40	-	dB
Input Resistance	Zinc	Chroma Input	-	20	-	kΩ
Mute Switch Change Voltage	VthMH		1.4	-	V <sup>+</sup>	V
	VthML		0	-	0.6	
Power Save Switch Change Voltage	VthPH		1.4	-	V <sup>+</sup>	V
	VthPL		0	-	0.6	

(note) Sine Video Signal



ver.2



---

# MEMO

**[CAUTION]**

The specifications on this databook are only given for information, without any guarantee as regards either mistakes or omissions. The application circuits in this databook are described only to show representative usages of the product and not intended for the guarantee or permission of any right including the industrial rights.