

SUPER LOW OPERATING CURRENT AND LOW OFFSET VOLTAGE TINY SINGLE C-MOS COMPARATOR

■ GENERAL DESCRIPTION

The NJU7116 is a super low operating current and low offset voltage tiny single C-MOS comparator with C-MOS output.

The operating current is 1uA(typ), and the operating of 1.8V to 3.6V.

The input offset voltage is lower than 2.5mV(max).

Furthermore, the NJU7116 is packaged with very small MTP-5, therefore it can be especially applied to battery operated portable items.

■ PACKAGE OUTLINE



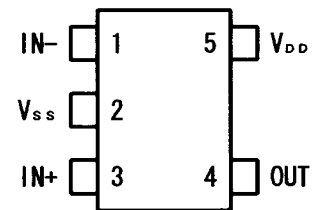
NJU7116F

■ FEATURES

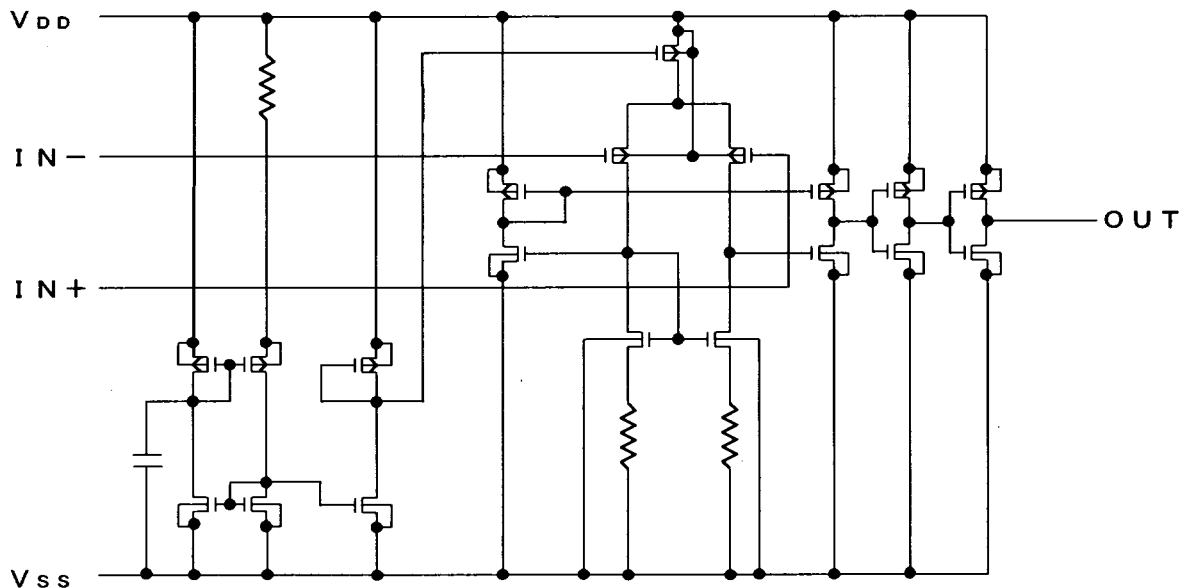
- Super Low Operating Current $I_{DD}=3.0\mu A$ typ.
- Single Power Supply $V_{DD}=1.8\sim 3.6V$
- Low Offset Voltage $V_{IO}=2.5mV$ max. @3.0V
- Low Bias Current $I_{IB}=1pA$ typ.
- C-MOS (Push-pull) Output
- Package Outline MTP-5
- C-MOS Technology

■ PIN CONFIGURATION

(Top View)



■ EQUIVALENT CIRCUIT



■ ABSOLUTE MAXIMUM RATINGS

(Ta=25°C)

PARAMETER	SYMBOL	RATINGS	UNIT
Supply Voltage	V _{IN}	7	V
Differential Input Voltage	V _{ID}	±7 Note1	V
Common Mode Input Voltage	V _{IC}	- 0.3 ~ 7	V
Power Dissipation	P _D	200	mW
Operating Temperature	T _{opr}	- 40 ~ + 85	°C
Storage Temperature	T _{stg}	- 55 ~ +125	°C

Note1) If the supply voltage (V_{DD}) is less than 7V, the input voltage must not over the V_{DD} level though 7V is limit specified.

Note2) Decoupling capacitor should be connected between V_{DD} and V_{SS} due to the stabilized operation for the circuit.

■ ELECTRICAL CHARACTERISTICS

 (Ta=25°C, V_{DD}=3.0V, R_L=∞)

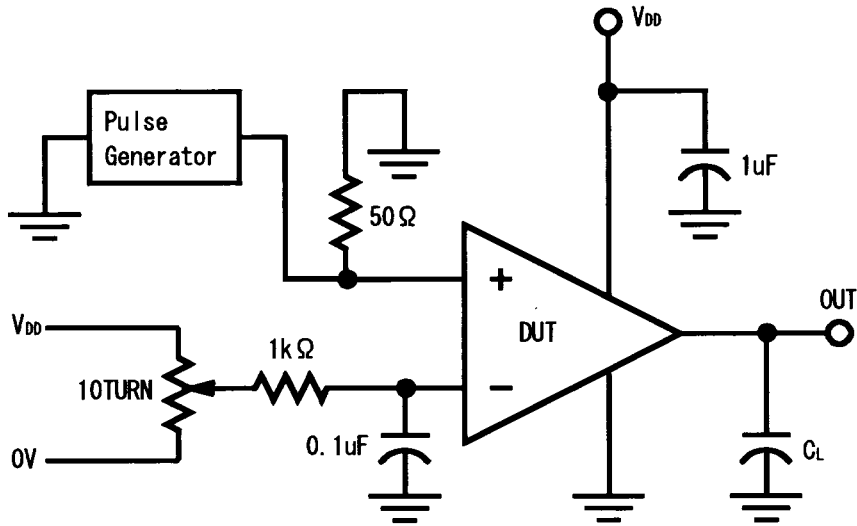
PARAMETER	SYMBOL	CONDITIONS	MIN	TYP	MAX	UNIT
Operating Voltage	V _{DD}		1.8	—	3.6	V
Input Offset Voltage	V _{IO}	V _{IN} =1/2V _{DD}	—	—	2.5	mV
Input Offset Current	I _{IO}		—	1	—	pA
Input Bias Current	I _{IB}		—	1	—	pA
Input Common Mode Voltage Range	V _{ICM}		0~2.5	—	—	V
Output Leakage Current	I _{OFF}	V _{OH} =V _{DD}	—	—	1	uA
High Level Output Voltage	V _{OH}	I _{OH} = 2mA	2.7	—	—	V
Low Level Output Voltage	V _{OL}	I _{OL} =-2mA	—	—	0.3	V
Common Mode Rejection Ratio	CMR	V _{IC} =1/2V _{DD}	50	—	—	dB
Supply Voltage Rejection Ratio	SVR	V _{DD} =1.8~3.6V	50	—	—	dB
Operating Current	I _{DD}	No Load, V _o =0V	—	1	1.5	uA

■ SWITCHING CHARACTERISTICS

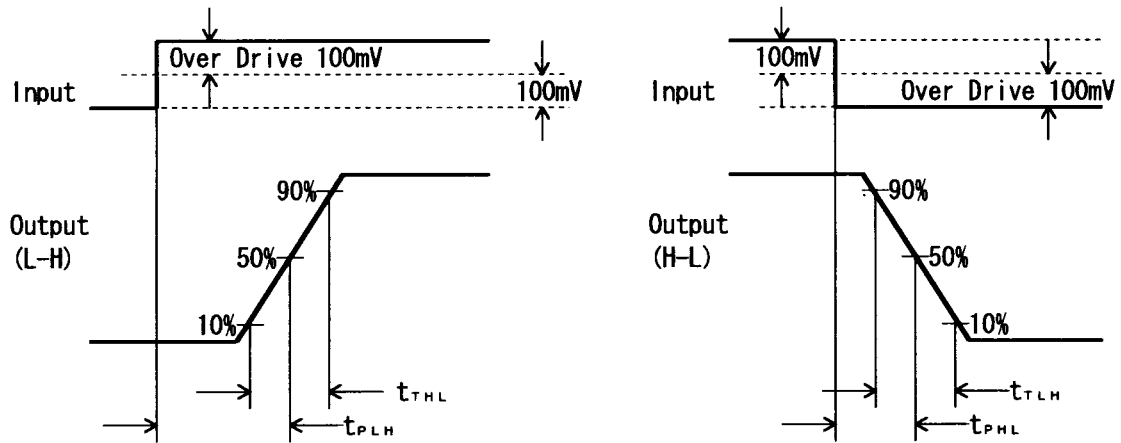
 (Ta=25°C, V_{DD}=3.0V, f=1kHz, C_L=15pF)

PARAMETER	SYMBOL	CONDITIONS	MIN	TYP	MAX	UNIT
Propagation Delay High to Low	t _{PHL}	Over Drive=100mV	—	1.2	2.0	us
		TTL Level Step In.	—	0.37	—	
Propagation Delay Low to High	t _{PLH}	Over Drive=100mV	—	3.3	5.0	us
		TTL Level Step In.	—	2.6	—	
Propagation Delay Time Lag	t _{PD}	t _{PLH} -t _{PHL}	—	2.1	3.0	us
Output Signal Falling Time	t _{THL}	Over Drive=100mV	—	15	—	ns
Output Signal Rising Time	t _{TLH}	Over Drive=100mV	—	40	—	ns

■ SWITCHING CHARACTERISTICS MEASUREMENT CIRCUIT



■ TIMING WAVEFORM



[CAUTION]
 The specifications on this data book are only given for information, without any guarantee as regards either mistakes or omissions. The application circuits in this data book are described only to show representative usages of the product and not intended for the guarantee or permission of any right including the industrial rights.