

NLHV011

1-Bit Gate Pulse Modulator

The NLHV011 is a 1-bit gate pulse modulator designed to translate logic voltages for TFT LCD panels. This part translates a low voltage logic input signal to an output voltage of 15 V to 38 V. In addition, the NLHV011 provides a user selectable delay and fall time on the high-to-low edge of the output signal. The delay and fall times are controlled by the magnitudes of the external capacitor resistor, respectively.

Features

- Gate Pulse Modulation (GPM)
- TFT LCD Flicker Compensation Circuit
- Reduction of Coupling Effect Between Gate Line and Pixel
- Provides Power Sequencing Circuit for Gate Driver IC
- Wide Power Supply Operation: 15 V to 38 V
- Adjustable Output Delay and Fall Time
- These Devices are Pb-Free, Halogen Free/BFR Free and are RoHS Compliant

Typical Applications

- TFT LCDs

Important Information

- ESD Protection for All Pins:
Human Body Model (HBM) > 3000 V

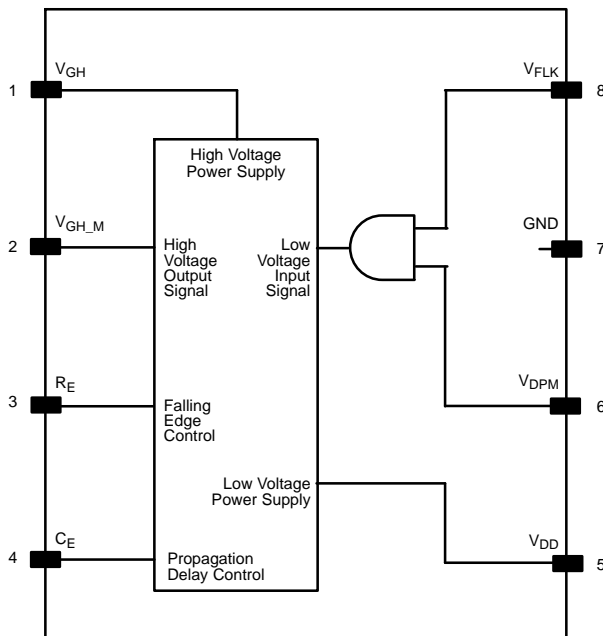


Figure 1. Block Diagram



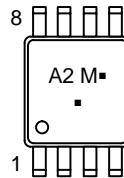
ON Semiconductor®

www.onsemi.com

MARKING DIAGRAM



US8
US SUFFIX
CASE 493



A2 = Device Code
M = Date Code*
▪ = Pb-Free Package

(Note: Microdot may be in either location)

*Date Code orientation may vary depending upon manufacturing location.

ORDERING INFORMATION

See detailed ordering and shipping information on page 10 of this data sheet.

NLHV011

PIN DESCRIPTION

Pin	Pin Name	Pin Function	Comment
1	V_{GH}	Power Supply Input	$V_{GH} = 15$ to 38 V
2	V_{GH_M}	Output	This output directly drives the power supply of Gate Driver IC
3	R_E	R_E pin used to set the falling edge time (t_{fall})	The Delay time is programmed by connecting resistor R_E to V_{GH} and capacitor C_E to ground.
4	C_E	C_E pin used to set the propagation delay time (t_{ph})	
5	V_{DD}	Reference to input	The reference input pin is used to reduce flicker. The reference input voltage is as follows: $V_{DD} \leq V_{GH} - 8.5$ V, $V_{DD} = 0$ to 25 V
6	V_{DPM}	Signal input 1	V_{DPM} single input voltage is as follows: $V_{DPM} = 0$ V to V_{GH} . The V_{DPM} pin is used to create a delay with the V_{GH} to prevent system latch-up. V_{DPM} also determines the time V_{GH} is ON.
7	GND	Ground	
8	V_{FLK}	Signal input 2	V_{FLK} single input voltage is as follows: $V_{DPM} = 0$ V to V_{GH} . The V_{FLK} determines the ON/OFF time of the TFT LCD and is produced from LCD timing controller module.

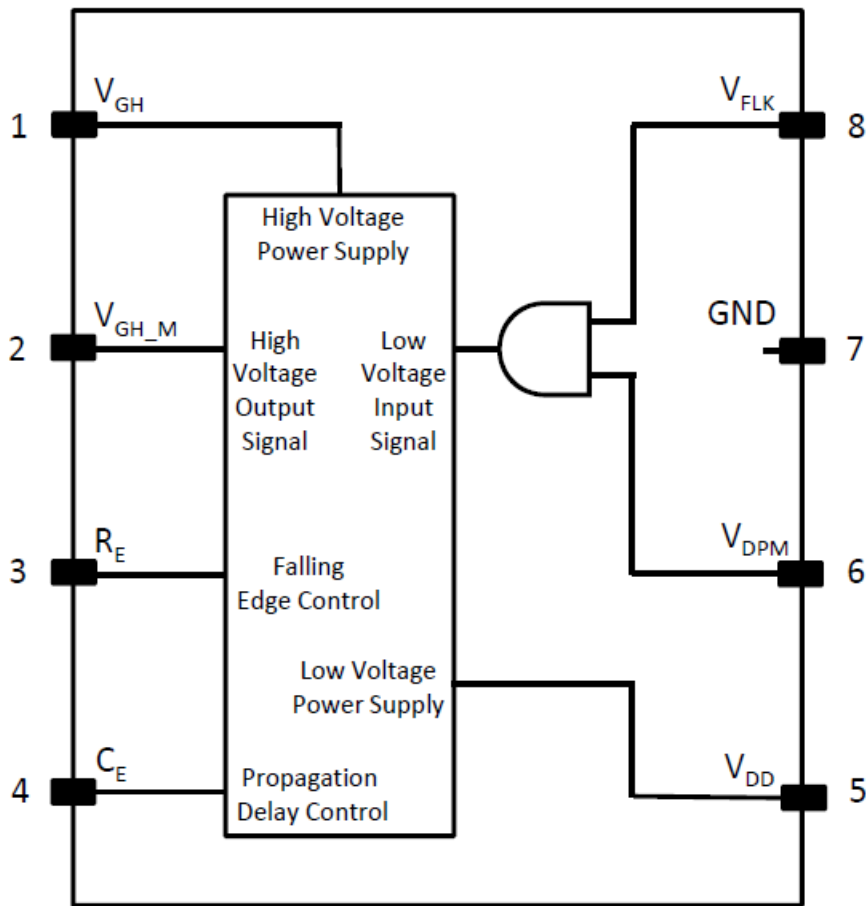


Figure 2. Block Diagram

NLHV011

ABSOLUTE MAXIMUM RATINGS

Symbol	Parameter	Condition	Value	Unit
V_{GH}	DC Supply Voltage		-0.5 to +40	V
V_{DD}	DC Supply Voltage		-0.5 to +40	V
V_{FLK}	Input Voltage V_{FLK}		-0.5 to +40	V
V_{DPM}	Input Voltage V_{DPM}		-0.5 to +40	V
$V_{GH} - V_{CE}$	Differential Voltage Between V_{GH} and V_{CE} Pins (Note 1)		9.5	V
I_{IK}	DC Input Diode Current		± 50	mA
I_{OK}	DC Output Diode Current		± 50	mA
I_O	DC Output Current		50	mA
I_{GH}	DC Supply Current Per Supply Pin		50	mA
P_D	Power Dissipation		200	mW
T_J	Junction Temperature		95	$^{\circ}\text{C}$
T_{STG}	Storage Temperature		-65 to +150	$^{\circ}\text{C}$

Stresses exceeding those listed in the Maximum Ratings table may damage the device. If any of these limits are exceeded, device functionality should not be assumed, damage may occur and reliability may be affected.

1. A differential voltage between the V_{GH} and V_{CE} pins ($V_{GH} - V_{CE}$) occurs during the power-up and power-down procedure. The voltages on the V_{GH} and C_E pins are equal at steady-state conditions after power-up.

RECOMMENDED OPERATING CONDITIONS

Symbol	Parameter	Test Condition	Min	Typ	Max	Unit
V_{GH}	DC Supply Voltage (Note 2)	$V_{GH} - V_{DD} \geq 8.5 \text{ V}$	15	-	38	V
V_{DD}	DC Supply Voltage	$V_{DD} \leq V_{GH} - 8.5 \text{ V}$	0	-	25	V
V_{FLK}	Input Voltage V_{FLK}	$V_{GH_M} = V_{GH} - 1.2 \text{ V}$	1.5	-	V_{GH}	V
V_{DPM}	Input Voltage V_{DPM}	$V_{GH_M} = V_{DD} + 1.5 \text{ V}$	0	-	V_{GH}	V
T_A	Operating Temperature Range		-40	-	85	V
$V_{GH} - V_{CE}$	Differential Voltage Between V_{GH} and V_{CE} Pins (Note 3)		-	-	5.5	V
$\Delta t / \Delta V_{GH}$	Safe V_{GH} Power-Up Slew Rate (Note 4)	$C_E = 5 \text{ pF}$	-	0.2	-	$\mu\text{s} / \text{V}$
		$C_E = 10 \text{ pF}$		0.4		
		$C_E = 50 \text{ pF}$		0.6		
		$C_E = 150 \text{ pF}$		0.7		
		$C_E = 220 \text{ pF}$		0.8		
		$C_E = 500 \text{ pF}$		1.2		
		$C_E = 1000 \text{ pF}$		2.2		

Functional operation above the stresses listed in the Recommended Operating Ranges is not implied. Extended exposure to stresses beyond the Recommended Operating Ranges limits may affect device reliability.

2. Maximum recommended V_{GH} supply voltage guaranteed by design.
3. A differential voltage between the V_{GH} and V_{CE} pins ($V_{GH} - V_{CE}$) occurs during the power-up and power-down procedure. The voltages on the V_{GH} and C_E pins are equal at steady-state conditions after power-up.
4. It is recommended that a ceramic or tantalum decoupling capacitor of 0.1 to 1 μF is used on the V_{GH} power supply voltage. The capacitor should be placed adjacent to the NLHV011 and connected between V_{GH} and Ground.

NLHV011

ELECTRICAL CHARACTERISTICS ($V_{GH} = 20\text{ V}$, $V_{DD} = 10\text{ V}$, $V_{DPM} = 2.2\text{ V}$, $V_{FLK} = 2.2\text{ V}$, $V_{GH} - V_{DD} \geq 8.5\text{ V}$, $T_a = 25\text{ }^\circ\text{C}$, unless otherwise noted.)

Symbol	Parameter	Test Condition	Min	Typ	Max	Unit
V_{FLK_H}	FLK High Voltage	$V_{GH_M} = V_{GH} - 1.6$	1.5	–	V_{GH}	V
V_{FLK_L}	FLK Low Voltage	$V_{GH_M} = V_{DD} + 1.5$	0	–	0.5	V
V_{DPM_H}	DPM High Voltage	$V_{FLK} = 0\text{ V}$, $V_{GH_M} = V_{DD} - 0.2\text{ V}$	1.5	–	V_{GH}	V
V_{DPM_L}	DPM Low Voltage	$V_{FLK} = 0\text{ V}$, $V_{GH_M} \leq 0.6\text{ V}$	0	–	0.5	V
I_{DPM}	DPM ON Current	$V_{FLK} = 3\text{ V}$, $V_{GH_M} = V_{GH}$	0.2	0.4	2	mA
R_C	R_C (Resistor of V_{DPM} pin)	$V_{GH} = 22\text{ V}$, $R_C \approx (V_{GH} - 0.9) / I_{DPM}$ (Application Circuits 2 and 3)	10	45	100	k Ω
$V_{GH_M, H}$	Output High Voltage	$I_O = 10\text{ mA}$	$V_{GH} - 1.6$	$V_{GH} - 0.7$	–	V
$V_{GH_M, R}$	Output Reset Voltage	$V_{DPM} = 0\text{ V}$, $V_{FLK} = 3\text{ V}$	–	–	0.6	V
		$V_{DPM} = 0\text{ V}$, $V_{FLK} = 0\text{ V}$				
$V_{GH_M, L}$	Output Low Voltage	$V_{DPM} = 3\text{ V}$, $V_{FLK} = 0\text{ V}$, $I_O = -1\text{ mA}$	$V_{DD} - 0.2$	$V_{DD} + 0.3$	$V_{DD} + 0.8$	V
I_{GH}	Power Supply Input Current	$V_{GH} = 35\text{ V}$, $V_{DD} = 15\text{ V}$, $V_{FLK} = V_{DPM} = 3.3\text{ V}$, $I_O = 0$	–	3.5	–	mA
I_{DD}	Reference Input Current	$V_{GH} = 35\text{ V}$, $V_{DD} = 15\text{ V}$, $V_{FLK} = 0\text{ V}$, $V_{DPM} = 3.3\text{ V}$, $I_O = 0$	–	40	–	μA

Product parametric performance is indicated in the Electrical Characteristics for the listed test conditions, unless otherwise noted. Product performance may not be indicated by the Electrical Characteristics if operated under different conditions.

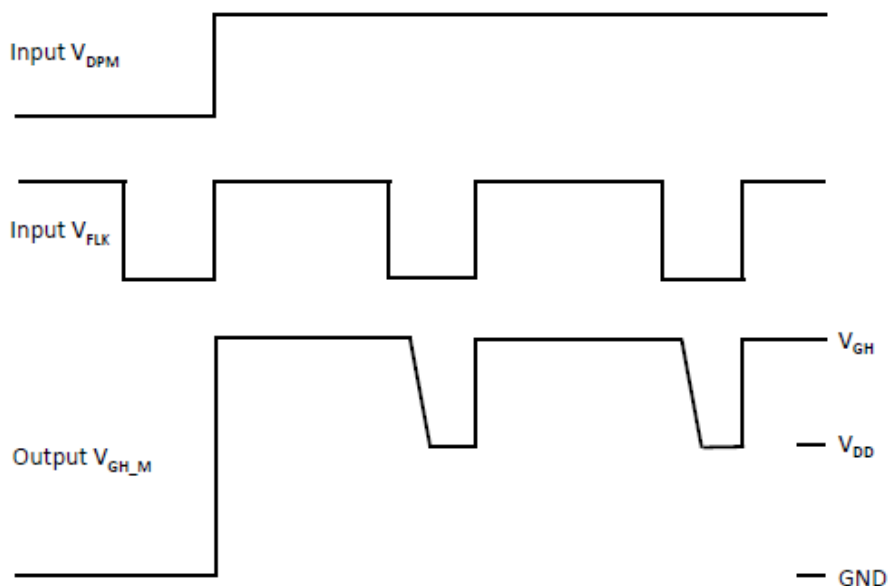


Figure 3. Input and Output Waveforms (Application Circuit #1)

NLHV011

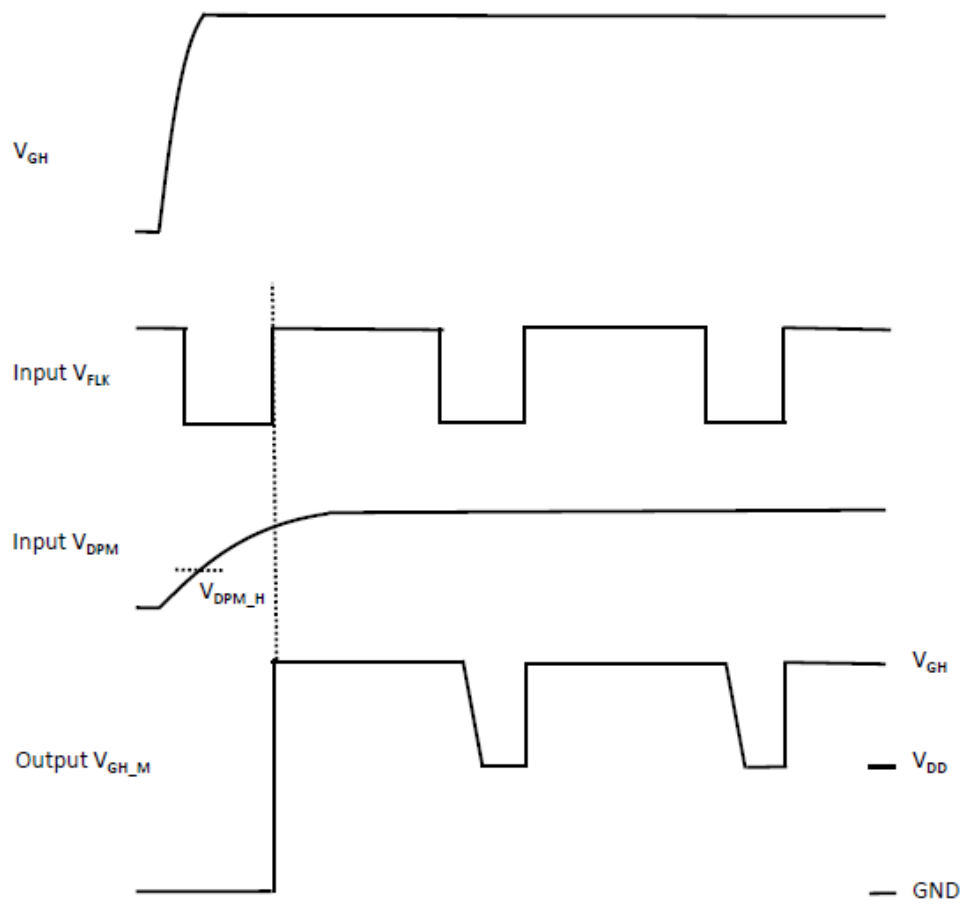


Figure 4. Input and Output Waveforms (Application Circuit #2)

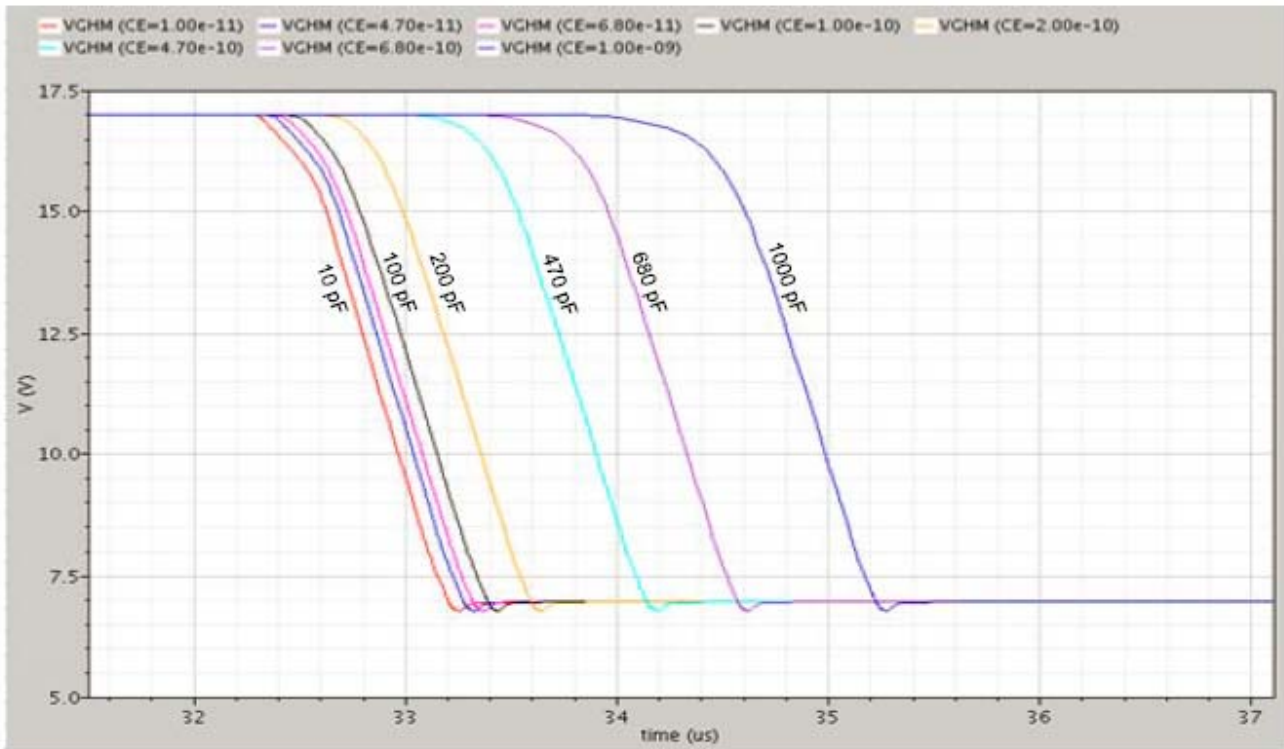


Figure 5. V_{GH_M} Output Propagation Delay (t_{ph}) is controlled by C_E
 (Application Circuit #1, $V_{GH} = 18$ V, $V_{DD} = 7$ V, $R_E = 3.9$ k Ω , $R_L = 15$ k Ω , $C_L = 220$ pF, $T_a = 25$ °C)

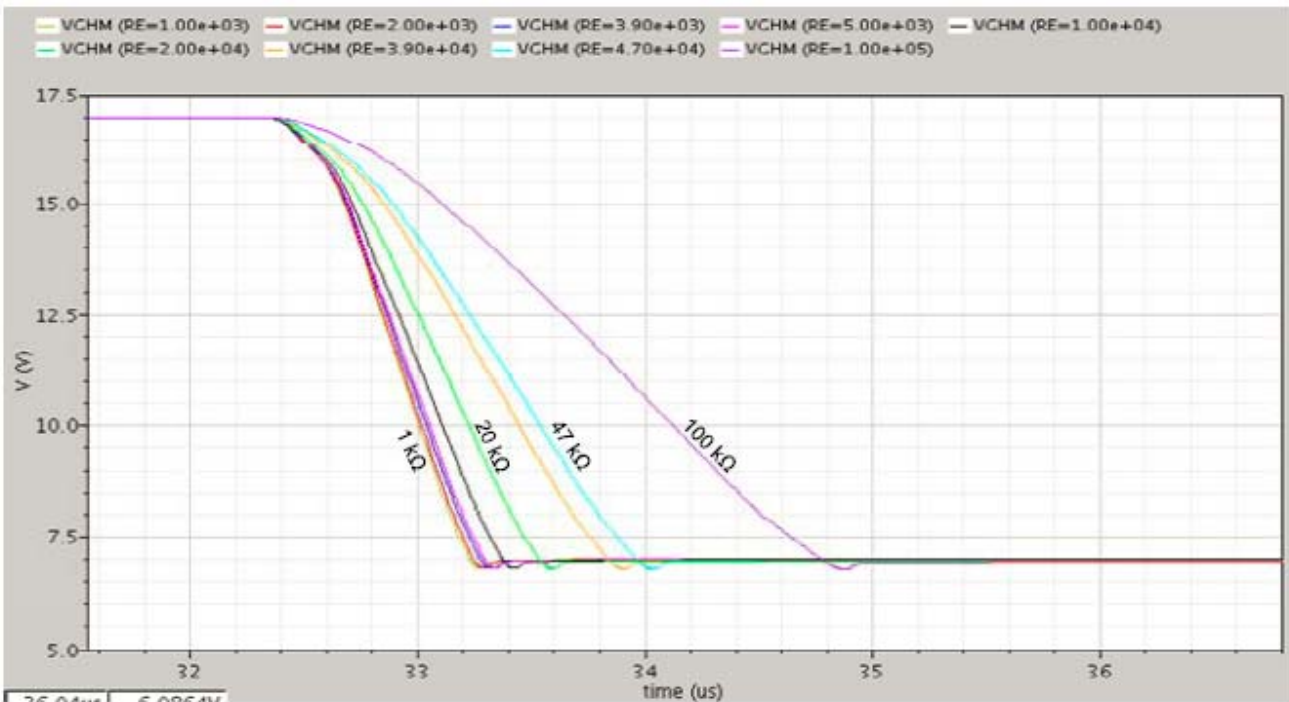


Figure 6. V_{GH_M} Output Transition Falling Edge (t_{fall}) is controlled by R_E
 (Application Circuit #1, $V_{GH} = 18$ V, $V_{DD} = 7$ V, $C_E = 47$ pF, $R_L = 15$ k Ω , $C_L = 220$ pF, $T_a = 25$ °C)

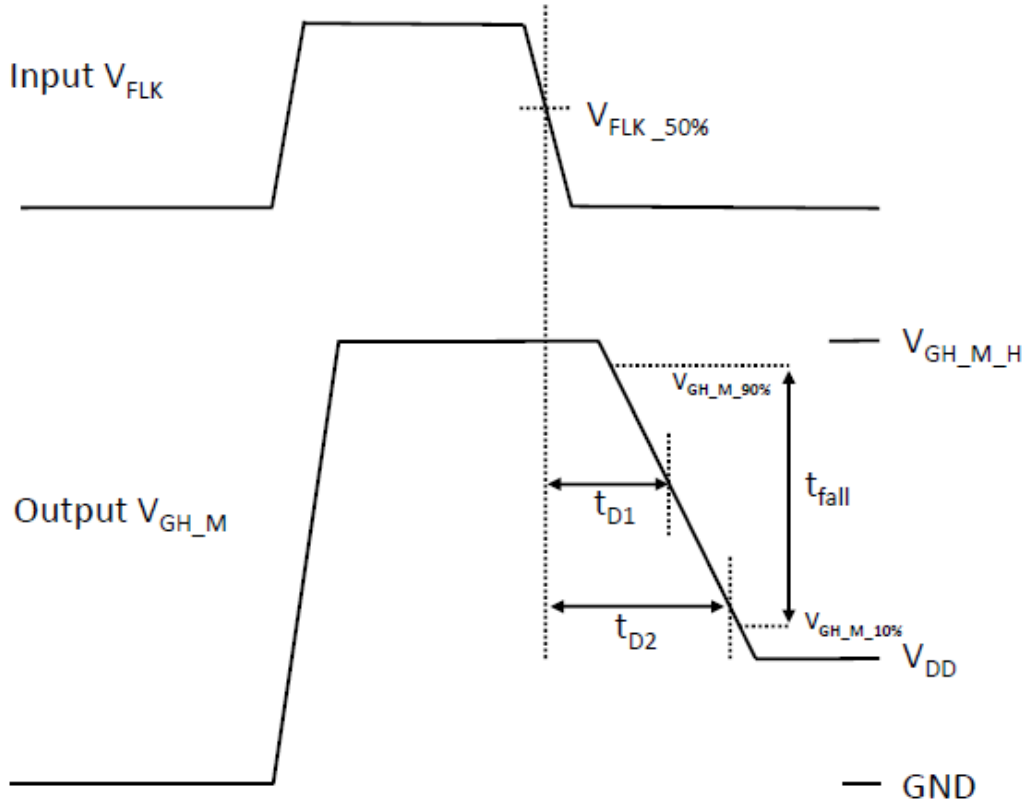


Figure 7.

Definition of Delay Time

t_{D1} = Delay Time 1 ($t_{D_{50-50}}$) = $V_{FLK_{50\%}}$ to $[V_{DD} + ((V_{GH_M_H}) - V_{DD}) \times 0.50]$

t_{D2} = Delay Time 2 ($t_{D_{50-15}}$) = $V_{FLK_{50\%}}$ to $[V_{DD} + ((V_{GH_M_H}) - V_{DD}) \times 0.15]$

t_{fall} = 90-to-10% Fall Time = $[V_{DD} + ((V_{GH_M_H}) - V_{DD}) \times 0.90]$ - $[V_{DD} + ((V_{GH_M_H}) - V_{DD}) \times 0.10]$

DELAY TIME CHARACTERISTICS

(Application Circuit #1, $V_{DPM} = 3\text{ V}$, $V_{FLK} = 3\text{ V}$, $R_E = 15\text{ k}\Omega$, $R_L = 15\text{ k}\Omega$, $C_L = 220\text{ pF}$, $T_A = 25^\circ\text{C}$)

Parameter	Test Condition	Typ	Unit
Delay Time 2 ($t_{D_{50-15}}$)	$V_{GH} = 17\text{ V}$, $V_{DD} = 6.7\text{ V}$, $C_E = 100\text{ pF}$	2.4	μs
	$V_{GH} = 17\text{ V}$, $V_{DD} = 6.7\text{ V}$, $C_E = 240\text{ pF}$	2.8	μs
	$V_{GH} = 22.4\text{ V}$, $V_{DD} = 10\text{ V}$, $C_E = 91\text{ pF}$	2.3	μs
	$V_{GH} = 22\text{ V}$, $V_{DD} = 10\text{ V}$, $C_E = 220\text{ pF}$	2.8	μs
	$V_{GH} = 25.4\text{ V}$, $V_{DD} = 15.4\text{ V}$, $C_E = 56\text{ pF}$	2.4	μs
	$V_{GH} = 25.4\text{ V}$, $V_{DD} = 15.4\text{ V}$, $C_E = 130\text{ pF}$	2.5	μs

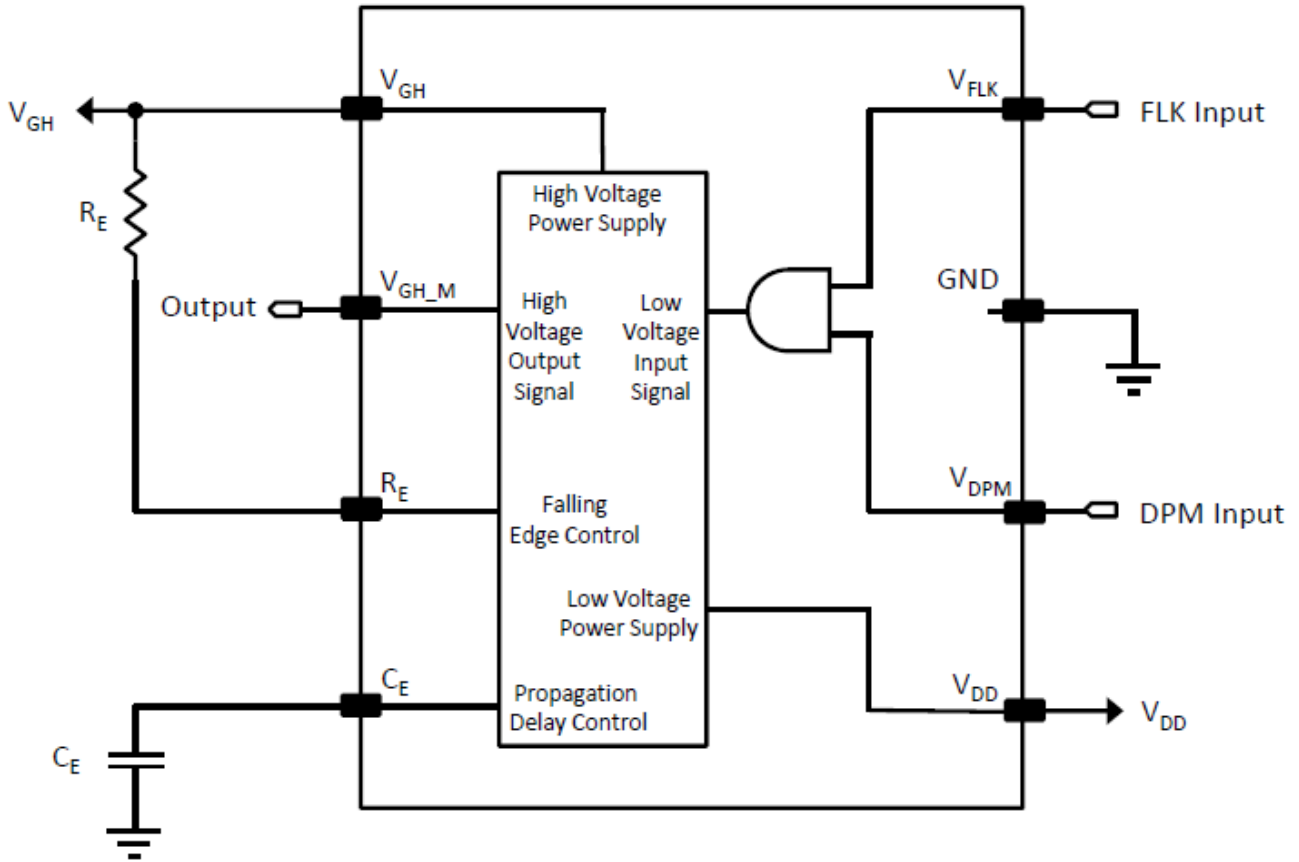


Figure 8. Application #1 Circuit Schematic

Notes:

1. V_{DPM} can rise only after V_{GH} is valid.

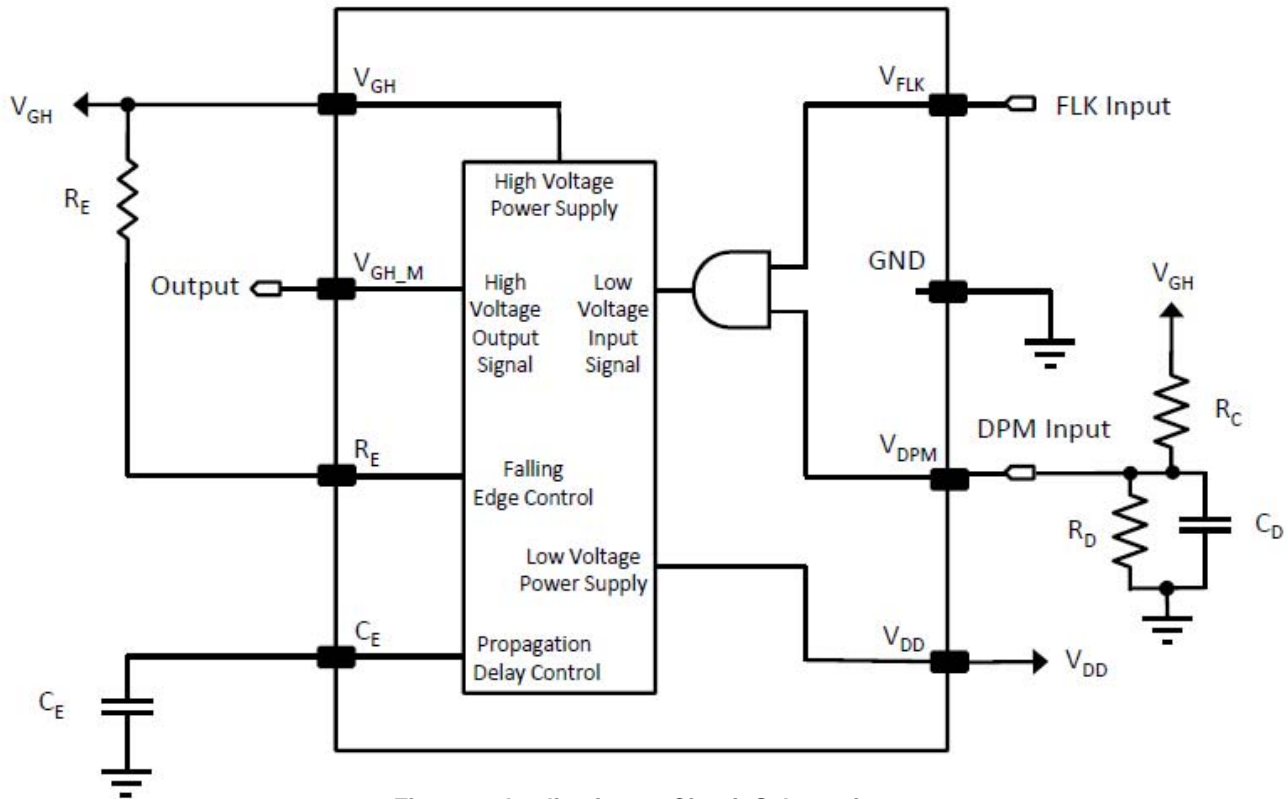


Figure 9. Application #2 Circuit Schematic

Notes:

1. V_{DPM} is produced by a Low Pass Filter (LPF) on V_{GH} pin with R_C and C_D .
2. R_D is a V_{DPM} pull-down resistor.

APPLICATION 2: V_{GH_M} SIGNAL DELAY TIME CHARACTERISTICS

V_{GH} (V)	V_{DD} (V)	C_D (μ F)	R_D (k Ω)	R_C (k Ω)	V_{GH_M} ON Delay Time (when V_{GH} ON) t_{on} (ms)	V_{DPM} Pin Discharge Time (when V_{GH} OFF) t_{off} (ms)
22	12	1	15	50	17.9	3.4
		1	1.5	20	5.5	1.4
		1	0.620	10	1.7	0.74

APPLICATION 2: FUNCTION DESCRIPTION

Name	Comment	Function
R_C	R_C and C_D determines the time when the V_{DPM} pin is charged.	t_{on} = Time when V_{GH_M} is high t_{off} = Time when V_{DPM} pin is fully discharged
C_D		
R_D	R_D determines the time when the V_{DPM} pin is discharged.	

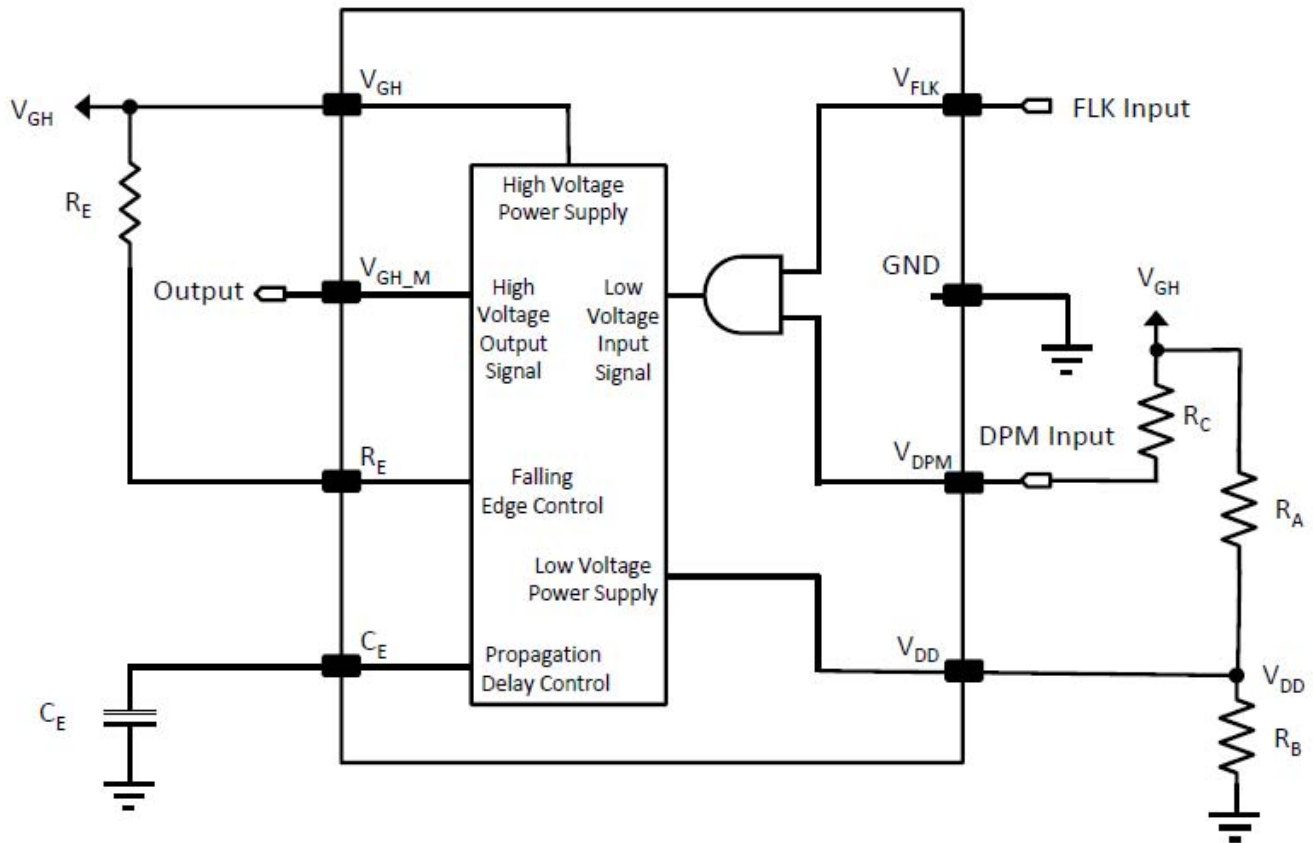


Figure 10. Application #3 Circuit Schematic

APPLICATION 3: FUNCTION DESCRIPTION

Name	Comment	Function
R _A	R _A and R _B set the V _{DD} voltage.	$V_{DD} = V_{GH} \times (R_B / (R_A + R_B))$
R _B		
R _C	R _C determines the voltage that V _{DPM} pin becomes high.	

Notes:

1. V_{DPM} produced by external R_C and internal R and C.
2. V_{DD} created from external resistors R_A and R_B.
3. V_{GH} should be higher than 18 V to meet V_{DPM_H}.
4. R_A = 15 kΩ, R_B = 10 kΩ, R_C = 45 kΩ, R_E = 15 kΩ, R_L = 15 kΩ, C_E = 220 pF, C_L = 100 pF

DEVICE ORDERING INFORMATION

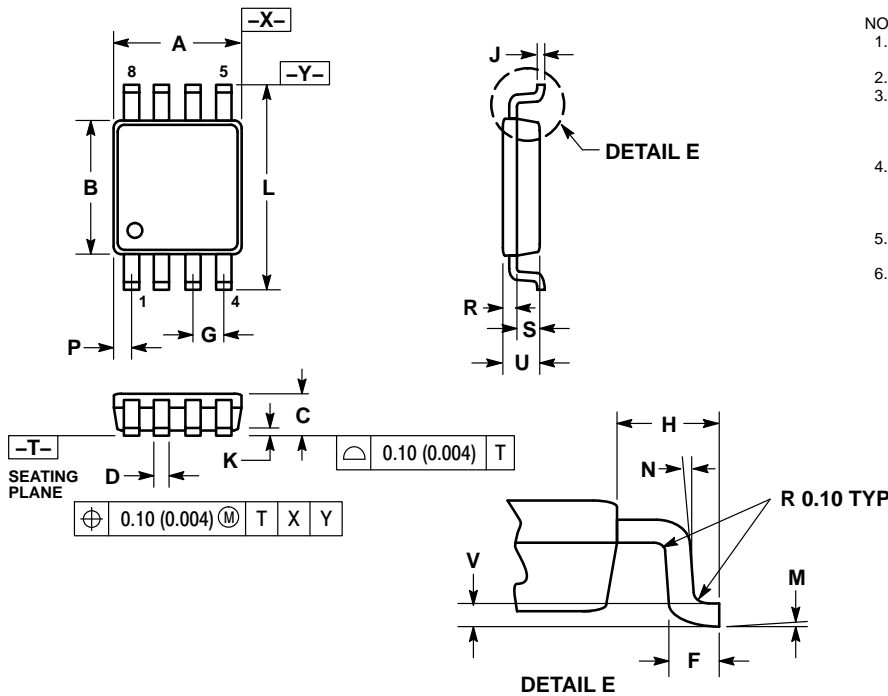
Device Order Number	Package Type	Shipping†
NLHV011USG	US8 (Pb-Free)	3000 / Tape & Reel

†For information on tape and reel specifications, including part orientation and tape sizes, please refer to our Tape and Reel Packaging Specifications Brochure, BRD8011/D.

NLHV011

PACKAGE DIMENSIONS

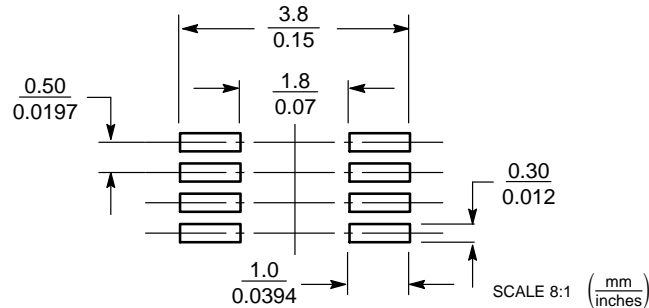
US8
CASE 493-02
ISSUE B



NOTES:

1. DIMENSIONING AND TOLERANCING PER ANSI Y14.5M, 1982.
2. CONTROLLING DIMENSION: MILLIMETERS.
3. DIMENSION "A" DOES NOT INCLUDE MOLD FLASH, PROTRUSION OR GATE BURR. MOLD FLASH, PROTRUSION AND GATE BURR SHALL NOT EXCEED 0.140 MM (0.0055") PER SIDE.
4. DIMENSION "B" DOES NOT INCLUDE INTER-LEAD FLASH OR PROTRUSION. INTER-LEAD FLASH AND PROTRUSION SHALL NOT EXCEED 0.140 (0.0055") PER SIDE.
5. LEAD FINISH IS SOLDER PLATING WITH THICKNESS OF 0.0076-0.0203 MM. (300-800 °).
6. ALL TOLERANCE UNLESS OTHERWISE SPECIFIED ±0.0508 (0.0002 ").

SOLDERING FOOTPRINT*



*For additional information on our Pb-Free strategy and soldering details, please download the ON Semiconductor Soldering and Mounting Techniques Reference Manual, SOLDERRM/D.

ON Semiconductor and are trademarks of Semiconductor Components Industries, LLC dba ON Semiconductor or its subsidiaries in the United States and/or other countries. ON Semiconductor owns the rights to a number of patents, trademarks, copyrights, trade secrets, and other intellectual property. A listing of ON Semiconductor's product/patent coverage may be accessed at www.onsemi.com/site/pdf/Patent-Marketing.pdf. ON Semiconductor reserves the right to make changes without further notice to any products herein. ON Semiconductor makes no warranty, representation or guarantee regarding the suitability of its products for any particular purpose, nor does ON Semiconductor assume any liability arising out of the application or use of any product or circuit, and specifically disclaims any and all liability, including without limitation special, consequential or incidental damages. Buyer is responsible for its products and applications using ON Semiconductor products, including compliance with all laws, regulations and safety requirements or standards, regardless of any support or applications information provided by ON Semiconductor. "Typical" parameters which may be provided in ON Semiconductor data sheets and/or specifications can and do vary in different applications and actual performance may vary over time. All operating parameters, including "Typicals" must be validated for each customer application by customer's technical experts. ON Semiconductor does not convey any license under its patent rights nor the rights of others. ON Semiconductor products are not designed, intended, or authorized for use as a critical component in life support systems or any FDA Class 3 medical devices or medical devices with a same or similar classification in a foreign jurisdiction or any devices intended for implantation in the human body. Should Buyer purchase or use ON Semiconductor products for any such unintended or unauthorized application, Buyer shall indemnify and hold ON Semiconductor and its officers, employees, subsidiaries, affiliates, and distributors harmless against all claims, costs, damages, and expenses, and reasonable attorney fees arising out of, directly or indirectly, any claim of personal injury or death associated with such unintended or unauthorized use, even if such claim alleges that ON Semiconductor was negligent regarding the design or manufacture of the part. ON Semiconductor is an Equal Opportunity/Affirmative Action Employer. This literature is subject to all applicable copyright laws and is not for resale in any manner.

PUBLICATION ORDERING INFORMATION

LITERATURE FULFILLMENT:
Literature Distribution Center for ON Semiconductor
19521 E. 32nd Pkwy, Aurora, Colorado 80011 USA
Phone: 303-675-2175 or 800-344-3860 Toll Free USA/Canada
Fax: 303-675-2176 or 800-344-3867 Toll Free USA/Canada
Email: orderlit@onsemi.com

N. American Technical Support: 800-282-9855 Toll Free
USA/Canada
Europe, Middle East and Africa Technical Support:
Phone: 421 33 790 2910
Japan Customer Focus Center
Phone: 81-3-5817-1050

ON Semiconductor Website: www.onsemi.com
Order Literature: <http://www.onsemi.com/orderlit>
For additional information, please contact your local Sales Representative