

PBL 386 61/1 Subscriber Line Interface Circuit

Description

The PBL 386 61/1 Subscriber Line Interface Circuit (SLIC) is a 90 V bipolar integrated circuit for use in Central Office, MUX and other telecommunications equipment. The PBL 386 61/1 has been optimized for low total line interface cost and a high degree of flexibility in different applications.

The PBL 386 61/1 emulates a transformer equivalent dc-feed, programmable between $2 \times 25 \Omega$ and $2 \times 900 \Omega$, with short loop current limiting adjustable to max 65 mA.

A second lower battery voltage may be connected to the device to reduce short loop power dissipation. The SLIC automatically switches between the two battery supply voltages without need for external components or external control. The SLIC incorporates loop current and ring trip detection functions. The PBL 386 61/1 is compatible with loop start signalling.

Two- to four-wire and four- to two-wire voice frequency (vf) signal conversion is accomplished by the SLIC in conjunction with either a conventional CODEC/filter or with a programmable CODEC/filter, e.g. SLAC, SiCoFi, Combo II. The programmable line terminating impedance could be complex or real to fit every market.

Longitudinal line voltages are suppressed by a feedback loop in the SLIC and the longitudinal balance specifications meet Bellcore TR909 requirements.

The PBL 386 61/1 package is 28-pin PLCC.

Key Features

- Selectable overhead voltage principle
 - All adaptive: The overhead voltage follows $0V < \text{signals} < 6.2V_{pk}$
 - Semi adaptive: The overhead voltage follows $3.1V_{pk} < \text{signals} < 6.2V_{pk}$
- Metering $2.2V_{rms}$
- High and low battery with automatic switching
- Battery supply as low as -10 V
- Only +5V in addition to GND and battery (VEE optional)
- 39 mW on-hook power dissipation in active state
- Long loop battery feed tracks V_{Bat} for maximum line voltage
- 44V open loop voltage @ -48V battery feed
- Constant loop voltage for line leakage $< 5 \text{ mA}$
- On-hook transmission
- Full longitudinal current capability during on-hook
- Programmable loop & ring-trip detector threshold
- Analog temperature guard

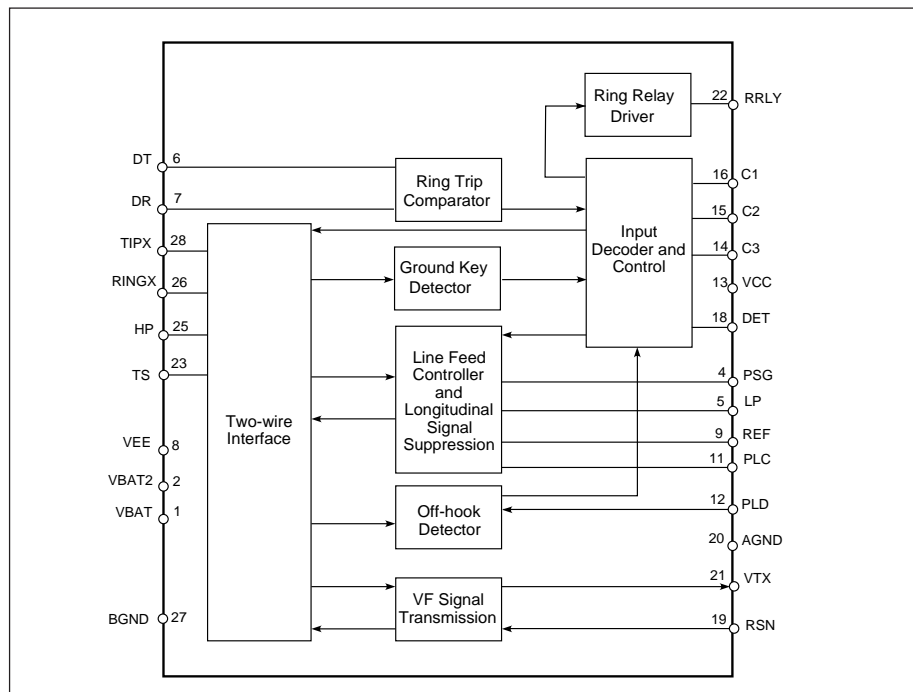
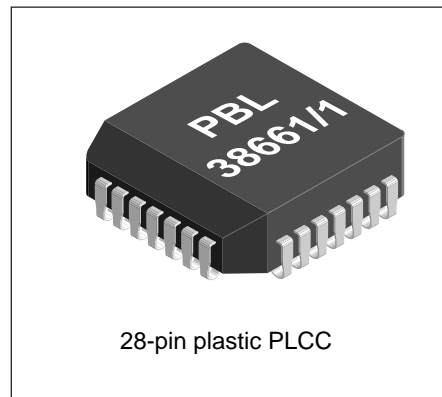


Figure 1. Block diagram 28 PLCC.



Maximum Ratings

Parameter	Symbol	Min	Max	Unit
Temperature, Humidity				
Storage temperature range	T_{Stg}	-55	+150	°C
Operating temperature range	T_{Amb}	-40	+110	°C
Operating junction temperature range, Note 1	T_J	-40	+140	°C
Power supply, $0^{\circ}\text{C} \leq T_{Amb} \leq +70^{\circ}\text{C}$				
V_{CC} with respect to AGND	V_{CC}	-0.4	6.5	V
V_{EE} with respect to AGND	V_{EE}	V_{Bat}	0.4	V
V_{Bat} with respect to BGND, continuous	V_{Bat}	-75	0.4	V
V_{Bat} with respect to BGND, 10 ms	V_{Bat}	-80	0.4	V
V_{BAT2} with respect to A/BGND	V_{Bat2}	V_{Bat}	0.4	V
Power dissipation				
Continuous power dissipation at $T_{Amb} \leq +70^{\circ}\text{C}$	P_D		1.5	W
Ground				
BGND with respect to AGND	V_G	-5	VCC	V
Relay Driver				
Ring relay supply voltage			BGND +12	V
Ring relay current			75 mA	
Ring trip comparator				
Input voltage	V_{DT}, V_{DR}	V_{Bat}	V_{CC}	V
Input current	I_{DT}, I_{DR}	-5	5	μA
Digital inputs, outputs (C1, C2, C3, DET)				
Input voltage	V_{ID}	-0.4	V_{CC}	V
Output voltage (DET not active)	V_{OD}	-0.4	V_{CC}	V
Output current (DET)	I_{OD}		30	mA
TIPX and RINGX terminals, $0^{\circ}\text{C} < T_{Amb} < +70^{\circ}\text{C}$, $V_{BAT} = -50\text{ V}$				
TIPX or RINGX current	I_{TIPX}, I_{RINGX}	-100	+100	mA
TIPX or RINGX voltage, continuous (referenced to AGND), Note 1	V_{TA}, V_{RA}	V_{Bat}	2	V
TIPX or RINGX, pulse < 10 ms, $t_{Rep} > 10\text{ s}$, Note 1	V_{TA}, V_{RA}	$V_{Bat} - 20$	5	V
TIPX or RINGX, pulse < 1 μs , $t_{Rep} > 10\text{ s}$, Note 1	V_{TA}, V_{RA}	$V_{Bat} - 40$	10	V
TIP or RING, pulse < 250 ns, $t_{Rep} > 10\text{ s}$, Note 2	V_{TA}, V_{RA}	$V_{Bat} - 70$	15	V

Recommended Operating Condition

Parameter	Symbol	Min	Max	Unit
Ambient temperature	T_{Amb}	0	+70	°C
V_{CC} with respect to AGND	V_{CC}	4.75	5.25	V
V_{EE} with respect to AGND	V_{EE}	V_{Bat}	-4.75	V
V_{Bat} with respect to BGND	V_{Bat}	-58	-10	V

Notes

- The circuit includes thermal protection. Operation above 140°C junction temperature may degrade device reliability.

Electrical Characteristics

$0\text{ }^{\circ}\text{C} \leq T_{\text{Amb}} \leq +70\text{ }^{\circ}\text{C}$, $V_{\text{CC}} = +5\text{V} \pm 5\%$, $V_{\text{EE}} = -5\text{V} \pm 5\%$, $V_{\text{Bat}} = -58\text{V to } -40\text{V}$, $R_{\text{LC}} = 18.7\text{k}\Omega$, $I_{\text{L}} = 27\text{ mA}$, $Z_{\text{L}} = 600\ \Omega$, $R_{\text{F1}}, R_{\text{F2}}, R_{\text{P1}}, R_{\text{P2}} = 0$, $R_{\text{Ref}} = 15\text{k}\Omega$, $C_{\text{HP}} = 68\text{nF}$, $C_{\text{LP}} = 0.33\ \mu\text{F}$, $R_{\text{T}} = 120\ \text{k}\Omega$, $R_{\text{SG}} = 24\ \text{k}\Omega$, $R_{\text{RX}} = 120\ \text{k}\Omega$, AOV-pin not connected, unless otherwise specified. Current definition: current is positive if flowing into a pin.

Parameter	Ref fig	Conditions	Min	Typ	Max	Unit
Two-wire port						
Overload level, $V_{\text{TRO}}, R_{\text{LDC}} \leq 2\text{k}\Omega$	2	Active state 1% THD, Note 1	3.1			V_{Peak}
On-Hook, $R_{\text{LDC}} \geq 10\text{k}\Omega$			1.4			V_{Peak}
Input impedance, Z_{TR}		Note 2		$Z_{\text{T}}/200$		
Longitudinal impedance, $Z_{\text{LoT}}, Z_{\text{LoR}}$		$0 < f < 100\ \text{Hz}$		20	35	Ω/wire
Longitudinal current limit, $I_{\text{LoT}}, I_{\text{LoR}}$		active state	28			$\text{mA}_{\text{rms}}/\text{wire}$
Longitudinal to metallic balance, B_{LM}		IEEE standard 455-1985, $Z_{\text{TRX}} = 736\ \Omega$				
		$0.2\ \text{kHz} < f < 1.0\ \text{kHz}$	55			dB
		$1.0\ \text{kHz} < f < 3.4\ \text{kHz}$	55			dB
Longitudinal to metallic balance, B_{LME}	3					
$B_{\text{LME}} = 20 \cdot \text{Log} \left \frac{E_{\text{Lo}}}{V_{\text{TR}}} \right $		$0.2\ \text{kHz} \leq f \leq 1.0\ \text{kHz}$	55			dB
		$1.0\ \text{kHz} < f < 3.4\ \text{kHz}$	55			dB
Longitudinal to four-wire balance, B_{LFE}	3					
$B_{\text{LFE}} = 20 \cdot \text{Log} \left \frac{E_{\text{Lo}}}{V_{\text{TX}}} \right $		$0.2\ \text{kHz} \leq f \leq 1.0\ \text{kHz}$	61			dB
		$1.0\ \text{kHz} < f < 3.4\ \text{kHz}$	61			dB
Metallic to longitudinal balance, B_{MLE}	4	$0.2\ \text{kHz} < f < 4.0\text{kHz}$	40			dB
$B_{\text{MLE}} = 20 \cdot \text{Log} \left \frac{E_{\text{TR}}}{V_{\text{Lo}}} \right $; $E_{\text{RX}} = 0$						

Figure 2. Overload level, V_{TRO} , two-wire port

$\frac{1}{\omega C} \ll R_{\text{L}}, R_{\text{L}} = 600\ \Omega$

$R_{\text{T}} = 120\ \text{k}\Omega, R_{\text{RX}} = 120\ \text{k}\Omega$

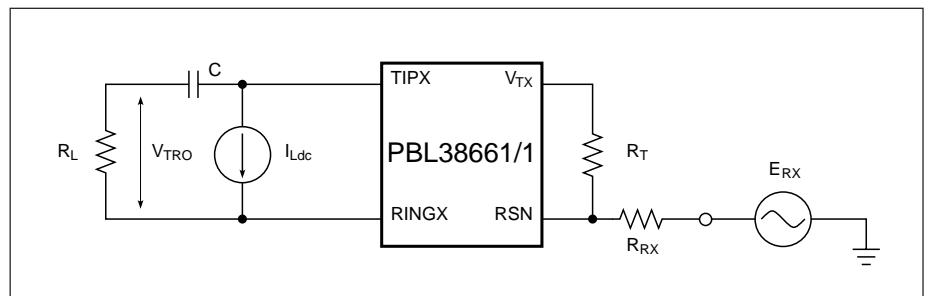
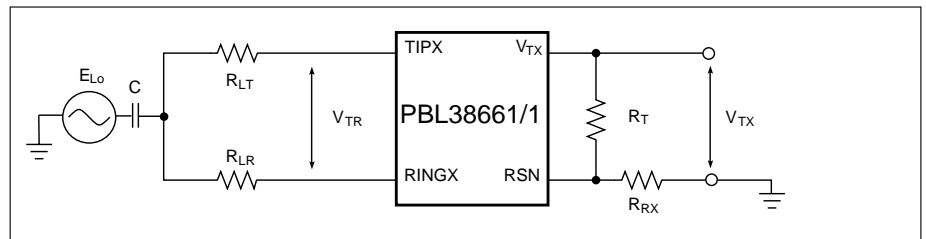


Figure 3. Longitudinal to metallic (B_{LME}) and Longitudinal to four-wire (B_{LFE}) balance

$\frac{1}{\omega C} \ll 150\ \Omega, R_{\text{LR}} = R_{\text{LT}} = R_{\text{L}}/2 = 300\ \Omega$

$R_{\text{T}} = 120\ \text{k}\Omega, R_{\text{RX}} = 120\ \text{k}\Omega$



Parameter	Ref fig	Conditions	Min	Typ	Max	Unit
Four-wire to longitudinal balance, B_{FLE}	4	0.2 kHz < f < 3.4 kHz $B_{FLE} = 20 \cdot \text{Log} \left \frac{E_{RX}}{V_{Lo}} \right $ E_{TR} source removed	40			dB
Two-wire return loss, r		$r = 20 \cdot \text{Log} \frac{ Z_{TR} + Z_L }{ Z_{TR} - Z_L }$ 0.2 kHz < f < 0.5 kHz 0.5 kHz < f < 1.0 kHz 1.0 kHz < f < 3.4 kHz, Note 3	25 27 23			dB dB dB
TIPX idle voltage, V_{Ti}		active, $I_L = 0$		-1.5		V
RINGX idle voltage, V_{Ri}		active, $I_L = 0$		$V_{Bat} + 2.7$		V
V_{TR}		active, $I_L = 0$		$V_{Bat} - 4.2$		V
Four-wire transmit port (V_{TX})						
Overload level, V_{TXO} , $I_L \geq 8\text{mA}$	5	Load impedance > 20 k Ω , 1% THD, Note 4	1.55			V_{Peak}
On hook $R_{LDC} \geq 10\text{ k}\Omega$			0.7			V_{Peak}
Output offset voltage, ΔV_{TX}			-60		60	mV
Output impedance, Z_{TX}		0.2 kHz < f < 3.4 kHz		5	20	Ω
Four-wire receive port (RSN)						
Receive summing node (RSN) dc voltage		$I_{RSN} = 0\text{ mA}$		GND ± 25		mV
Receive summing node (RSN) impedance		0.2 kHz < f < 3.4 kHz		10	50	Ω
Receive summing node (RSN) current (I_{RSN}) to metallic loop current (I_L) gain, α_{RSN}		0.3 kHz < f < 3.4 kHz		400		ratio
Frequency response						
Two-wire to four-wire, g_{2-4}	6	relative to 0 dBm, 1.0 kHz. $E_{RX} = 0\text{ V}$ 0.3 kHz < f < 3.4 kHz f = 8.0 kHz, 12 kHz, 16 kHz	-0.15 -0.5	-0.1	0.15 0	dB dB

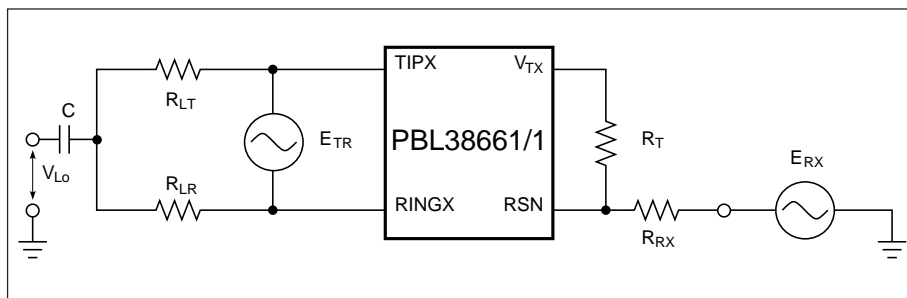


Figure 4. Metallic to longitudinal and four-wire to longitudinal balance

$$\frac{1}{\omega C} \ll 150 \Omega, R_{LT} = R_{LR} = R_L / 2 = 300 \Omega$$

$$R_T = 120 \text{ k}\Omega, R_{RX} = 120 \text{ k}\Omega$$

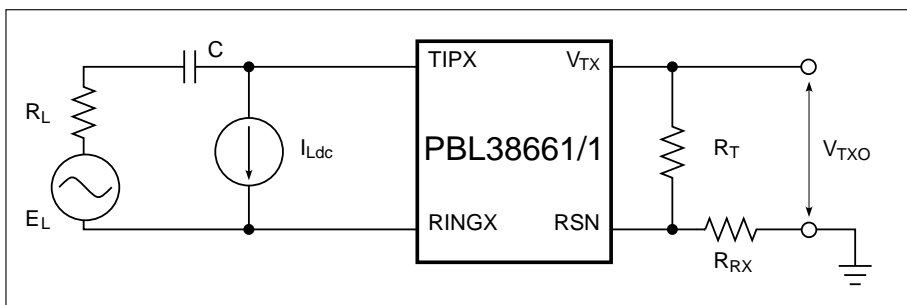


Figure 5. Overload level, V_{TXO} , four-wire transmit port

$$\frac{1}{\omega C} \ll R_L, R_L = 600 \Omega$$

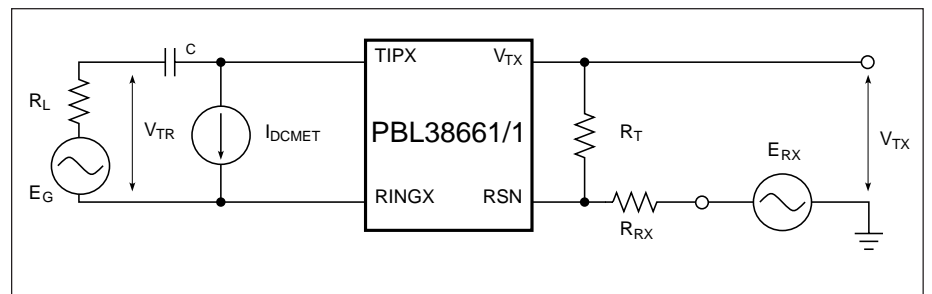
$$R_T = 120 \text{ k}\Omega, R_{RX} = 120 \text{ k}\Omega$$

Parameter	Ref fig	Conditions	Min	Typ	Max	Unit
Four-wire to two-wire, g_{4-2}	6	relative to 0 dBm, 1.0 kHz. $E_G = 0$ V				
		0.3 kHz < f < 3.4 kHz	-0.15		0.15	dB
		f = 8 kHz, 12 kHz, 16 kHz	-1.0	-0.2	0	dB
Four-wire to four-wire, g_{4-4}	6	0.3 kHz < f < 3.4 kHz relative to 0 dBm, 1.0 kHz. $E_G = 0$ V	-0.15		0.15	dB
Insertion loss						
Two-wire to four-wire, G_{2-4}	6	0 dBm, 1.0 kHz, Note 5 $G_{2-4} = 20 \cdot \text{Log} \left \frac{V_{TX}}{V_{TR}} \right , E_{RX} = 0$	-6.22	-6.02	-5.92	dB
Four-wire to two-wire, G_{4-2}	6	0 dBm, 1.0 kHz, Notes 5, 6 $G_{4-2} = 20 \cdot \text{Log} \left \frac{V_{TR}}{E_{RX}} \right , E_G = 0$	-0.2		0.2	dB
Gain tracking						
Two-wire to four-wire $R_{LDC} \leq 2k\Omega$	6	Ref. -10 dBm, 1.0 kHz, Note 7 -40 dBm to +3 dBm -55 dBm to -40 dBm	-0.1 -0.2		0.1 0.2	dB
Four-wire to two-wire $R_{LDC} \leq 2k\Omega$	6	Ref. -10 dBm, 1.0 kHz, Note 7 -40 dBm to +7 dBm -55 dBm to -40 dBm	-0.1 -0.2		0.1 0.2	dB
Noise						
Idle channel noise at two-wire (TIPX-RINGX)		C-message weighting		7	12	dBrnC
		Psophometrical weighting Note 8		-85	-78	dBmp
Harmonic distortion						
Two-wire to four-wire	6	0 dBm, 1.0 kHz test signal			-50	dB
Four-wire to two-wire		0.3 kHz < f < 3.4 kHz			-50	dB
Battery feed characteristics						
Constant loop current, I_{Lconst}	15	$I_{Lprog} = \frac{500}{R_{LC}}$ $18 < I_{Lprog} < 45$ mA		$0.92 I_{Lprog}$	I_{Lprog}	$1.08 I_{Lprog}$ mA

Figure 6.
Frequency response, insertion loss,
gain tracking.

$$\frac{1}{\omega C} \ll R_L, R_L = 600 \Omega$$

$$R_T = 120 \text{ k}\Omega, R_{RX} = 120 \text{ k}\Omega$$



Parameter	Ref fig	Conditions	Min	Typ	Max	Unit
Loop current detector						
Programmable threshold, I_{DET}		$I_{LTh} = \frac{500}{R_{LD}}$	$0.9 \cdot I_{LTh}$	I_{LTh}	$1.1 \cdot I_{LTh}$	mA
Ring trip comparator						
Offset voltage, ΔV_{DTR}		Source resistance, $R_S = 0 \Omega$	-20	0	20	mV
Input bias current, I_B		$I_B = (I_{DT} + I_{DR})/2$	-50	-20	200	nA
Input common mode range, V_{DT}, V_{DR}			$V_{Bat}+1$		-1	V
Ring relay driver						
Saturation voltage, V_{OL}		$I_{OL} = 50 \text{ mA}$		0.5		
Off state leakage current, I_{Lk}		$V_{OH} = 12 \text{ V}$			100	μA
Digital inputs (C1, C2, C3)						
Input low voltage, V_{IL}			0		0.5	V
Input high voltage, V_{IH}			2.5		V_{CC}	V
Input low current, I_{IL}		$V_{IL} = 0.4$			-200	μA
Input high current, I_{IH}		$V_{IH} = 2.5 \text{ V}$			200	μA
Detector output (DET)						
Output low current, I_{OL}		$V_{OL} < 1 \text{ V}$	3			mA
Output low current, I_{OL}		$V_{OL} < 0.8 \text{ V}$	0.5	1		mA
Internal pull-up resistor				5		k Ω
Power dissipation ($V_{Bat} = -48 \text{ V}$, $V_{Bat2} = -32 \text{ V}$)						
P_1		Open circuit state, C1, C2, C3 = 0, 0, 0		14		mW
P_2 @ VEE = -5V		Active state, C1, C2, C3 = 0, 1, 0		39		mW
P_3 @ VEE = -48V		Longitudinal current = 0 mA, $I_L = 0 \text{ mA}$		44		mW
P_4 @ VEE = -5V		$R_L = 300 \Omega$ (off-hook)		710		mW
P_5 @ VEE = -5V		$R_L = 800 \Omega$ (off-hook)		340		mW
Power supply currents ($V_{Bat} = -48 \text{ V}$)						
V_{CC} current, I_{CC}		Open circuit state		0.8		mA
V_{EE} current, I_{EE}		C1, C2, C3 = 0, 0, 0		0.1		mA
V_{Bat} current, I_{Bat}				0.2		mA
V_{CC} current, I_{CC}		Active state		2.0		mA
V_{EE} current, I_{EE}		C1, C2, C3 = 0, 1, 0		0.1		mA
V_{Bat} current, I_{Bat}		On-hook, Long Current = 0 mA, $I_L = 0 \text{ mA}$		0.7		mA
Power supply rejection ratios						
V_{CC} to 2- or 4-wire port		Active State	28.5	28.5		dB
V_{EE} to 2- or 4-wire port		C1, C2, C3 = 0, 1, 0	28.5	55		dB
V_{Bat} to 2- or 4-wire port		50 Hz < f < 3400 Hz, $V_n = 100 \text{ mV}$	28.5	40		dB
V_{Bat2} to 2- or 4-wire port			28.5	60		dB
Temperature guard						
Junction threshold temperature, T_{JG}				140		$^{\circ}\text{C}$

Notes

1. The overload level is automatically expanded when the signal level $> 3.1 V_{Peak}$ and is specified at the two-wire port with the signal source at the four-wire receive port.
2. The two-wire impedance is programmable by selection of external component values according to:
 $Z_{TRX} = Z_T / |G_{2-4} \alpha_{RSN}|$ where:
 Z_{TRX} = impedance between the TIPX and RINGX terminals
 Z_T = programming network between the V_{TX} and RSN terminals
 G_{2-4} = transmit gain, nominally = -0.5
 α_{RSN} = receive current gain, nominally = 400 (current defined as positive flowing into the receivesumming node, RSN, and when flowing from tip to ring).
3. Higher return loss values can be achieved by adding a reactive component to R_T , the two-wire terminating impedance programming resistance, e.g. by dividing R_T into two equal halves and connecting a capacitor from the common point to ground.
4. The overload level is automatically expanded when the signal level $> 1.55 V_{Peak}$ and is specified at the four-wire transmit port, V_{TX} , with the signal source at the two-wire port. Note that the gain from the two-wire port to the four-wire transmit port is $G_{2-4} = -0.5$.
5. Secondary protection resistors R_F and tertiary protection resistors R_p impact the insertion loss as explained in the text, section Transmission. The specified insertion loss is for $R_F = R_p = 0$.
6. The specified insertion loss tolerance does not include errors caused by external components.
7. The level is specified at the four-wire receive port and referenced to a 600 Ω impedance level.
8. The two-wire idle noise is specified with the four-wire receive port grounded ($E_{RX} = 0$; see figure 6). The four-wire idle noise at V_{TX} is the two-wire value -6 dB and is specified with the two-wire port terminated in 600 Ω (R_T). The noise specification is referenced to a 600 Ω impedance level at V_{TX} . The four-wire receive port is grounded ($E_{RX} = 0$).

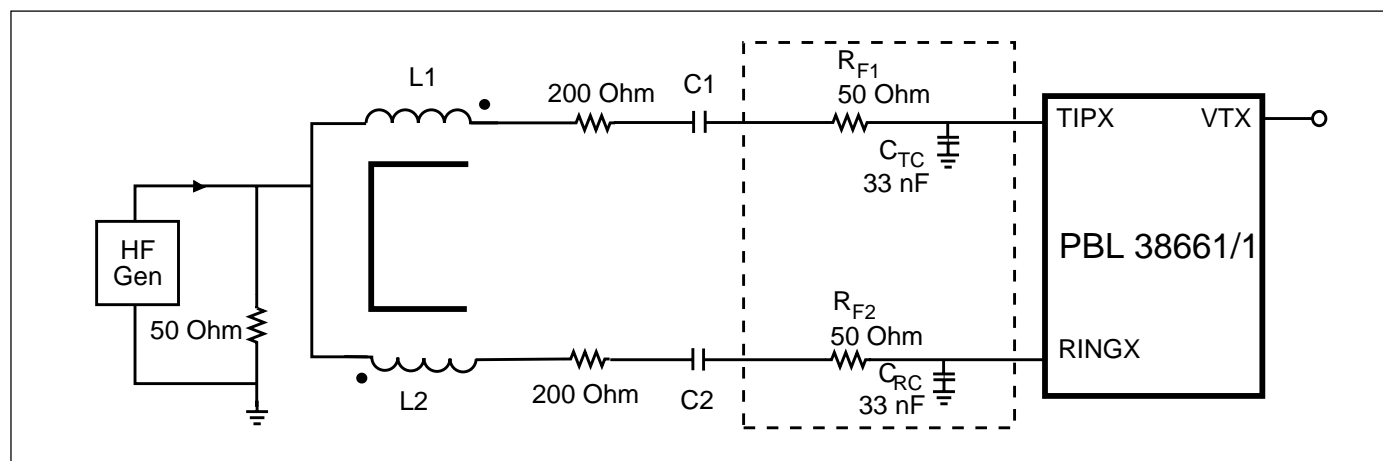


Figure 7. RFI Test Circuit.

Pin Description

Refer to figure 8.

PLCC	Symbol	Description
1	VBAT	Battery supply voltage, -10V to -58V. Negative with respect to GND (pins 20 and 27).
2	VBAT2	An optional second battery voltage, connected in series with diode, or an external powerhandling resistor connects to this pin.
3	AOV	Adaptive Overhead Voltage. If pin is left open: The overhead voltage is internally set to 3.1V in off-hook and 1.4V in on-hook. The overhead voltage will adapt to signals > 3.1V. If pin is connected to VBAT: No internally set overhead voltage. The overhead voltage adapts to $0 < \text{signals} < 6.2V_{pk}$.
4	PSG	Programmable Saturation Guard. The resistive part of the DC feed characteristic is programmed by a resistor connected from this pin to VBAT.
5	LP	Saturation guard filter capacitor connected here to filter out noise and improve PSRR. Other end of C_{LP} connects to VBAT (pin 1).
6	DT	Input to the ring trip comparator. With DR more positive than DT the detector output, DET (pin 18), is at logic level low, indicating off-hook condition. The ring trip network connects to this input.
7	DR	Input to the ring trip comparator. With DR more positive than DT the detector output, DET (pin 18), is at logic level low, indicating off-hook condition. The ring trip network connects to this input.
8	VEE	-5V to VBAT power supply.
9	REF	A 15kohm resistor should be connected between this pin and AGND.
10	NC	No connect. Must be left open.
11	PLC	Prog. Line Current, the constant current part of the DC feed characteristic is programmed by a resistor connected from this pin to AGND.
12	PLD	Programmable loop detector threshold. The loop detection threshold is programmed by a resistor connected from this pin to AGND.
13	VCC	+5 V power supply.
14	C3	C1, C2 and C3 are TTL compatible inputs controlling the SLIC operating states. Refer to section
15	C2	Operating states for details.
16	C1	
17	NC	No connect. Must be left open.
18	DET	Detector output. Active low when indicating loop or ring trip detection, active high when indicating ground key detection
19	RSN	Receive summing node. 400 times the current flowing into this pin equals the metallic (transversal) current flowing from RINGX (pin 26) to TIPX (pin 28). Programming networks for two-wire impedance and receive gain connect to the receive summing node.
20	AGND	Analog ground, should be tied together with BGND (pin 27).
21	VTX	Transmit vf output. The ac voltage difference between TIPX (pin 28) and RINGX (pin 26), the ac metallic voltage, is reproduced as an unbalanced GND referenced signal at VTX with a gain of -0.5. The two-wire impedance programming network connects between VTX and RSN (pin 19).
22	RRLY	Ring relay driver output. The relay coil may be connected to maximum +12V.
23	TS	TS should be connected to TIPX.
24	NC	No connect. Must be left open.
25	HP	Connection for ac/dc separation capacitor C_{HP} . Other end of C_{HP} connects to RINGX (pin 26).
26	RINGX	The TIPX and RINGX pins connect to the tip and ring leads of the two-wire interface via overvoltage protection components and ring relay (and optional test relay).
27	BGND	Battery Ground, should be tied together with AGND (pin 20).
28	TIPX	The TIPX and RINGX pins connect to the tip and ring leads of the two-wire interface via overvoltage protection components and ring relay (and optional test relay).

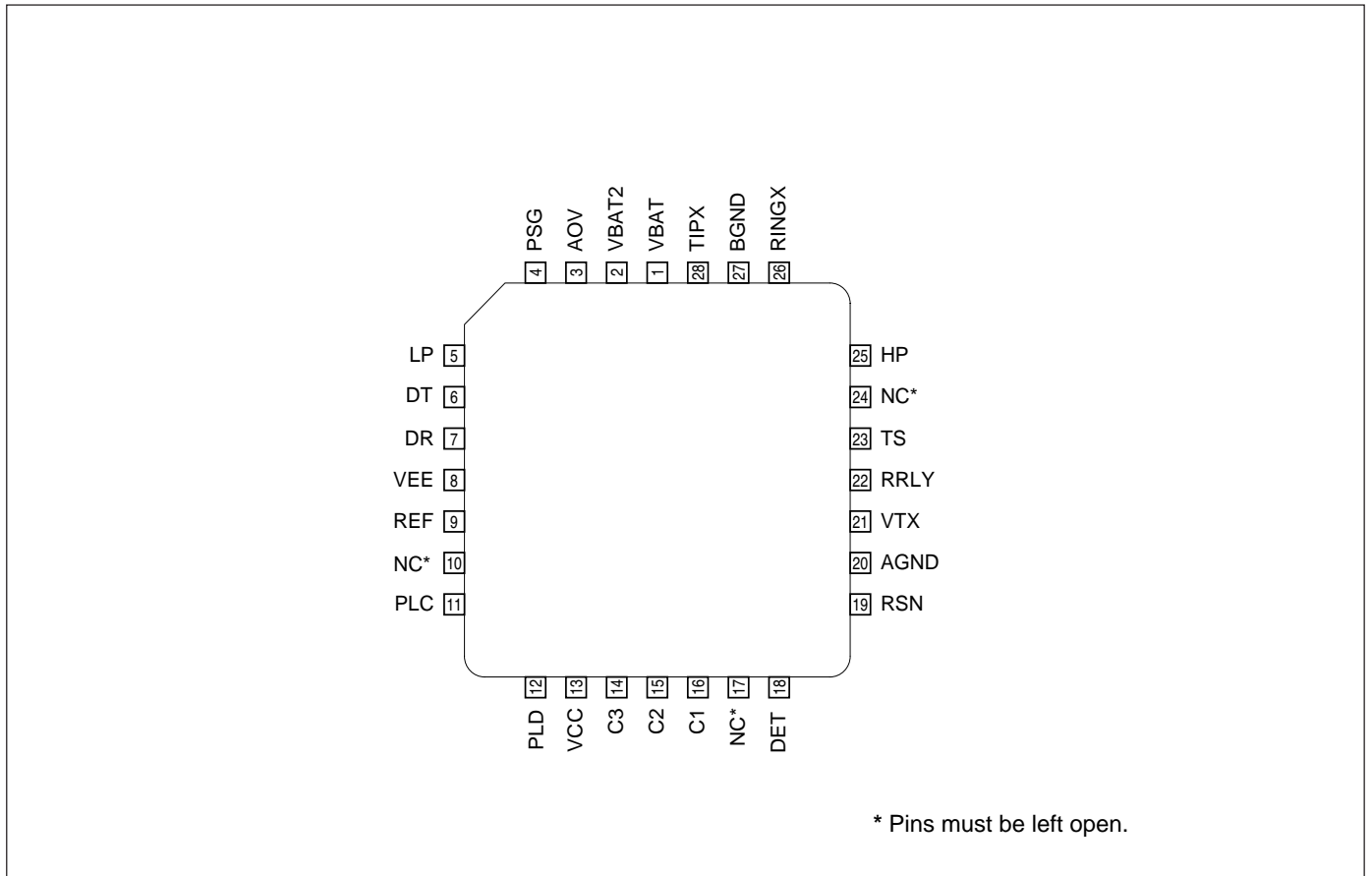


Figure 8. Pin configuration 28 pin PLCC package, top view.

SLIC Operating States

State	C3	C2	C1	SLIC operating state	Active detector
0	0	0	0	Open circuit	Detector is set high
1	0	0	1	Ringing state	Ring trip detector (active low)
2	0	1	0	Active state	Loop detector (active low)
3	0	1	1	Not applicable	-
4	1	0	0	Not applicable	-
5	1	0	1	Not applicable	-
6	1	1	0	Not applicable	-
7	1	1	1	Not applicable	-

Table 1. SLIC operating states.

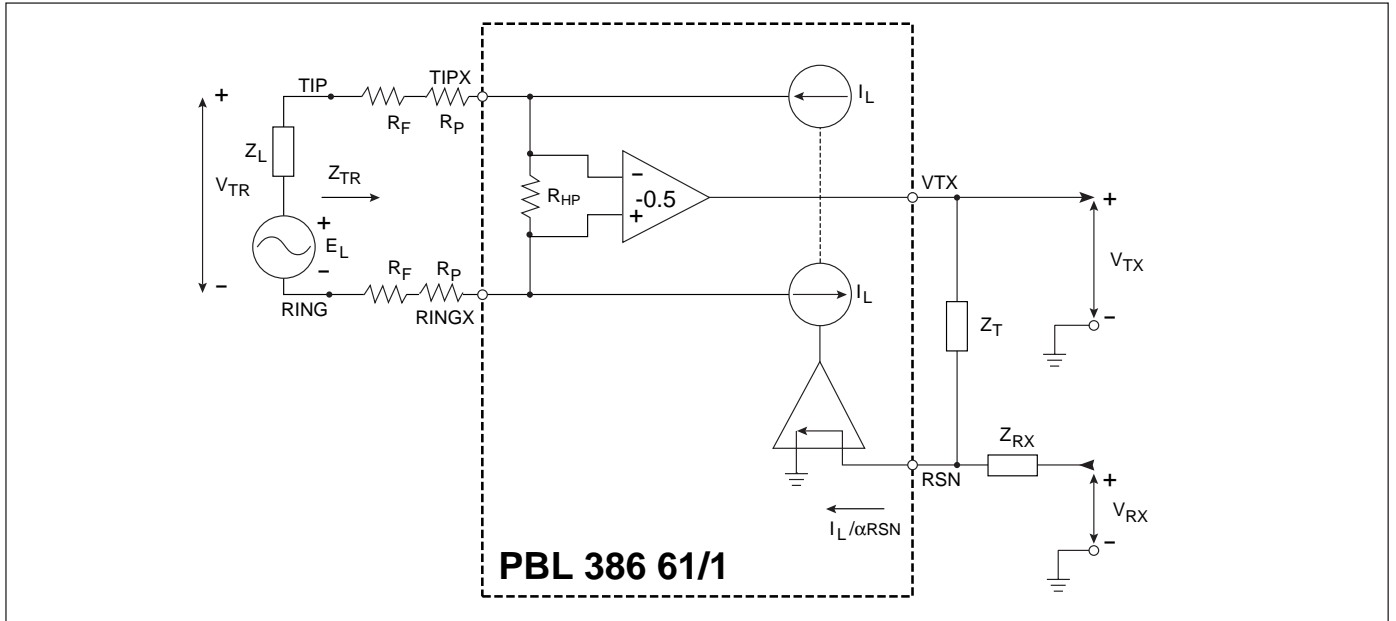


Figure 9. Simplified ac transmission circuit.

Functional Description and Applications

Information Transmission

General

A simplified ac model of the transmission circuits is shown in figure 9. Circuit analysis yields:

$$V_{TR} = \frac{V_{TX}}{0,5} + I_L \cdot (2R_F + 2R_P) \quad (1)$$

$$\frac{V_{TX}}{Z_T} + \frac{V_{RX}}{Z_{RX}} = \frac{I_L}{\alpha_{RSN}} \quad (2)$$

$$V_{TR} = E_L - I_L \cdot Z_L \quad (3)$$

where:

V_{TX} is a ground referenced version of the ac metallic voltage between the TIPX and RINGX terminals.

V_{TR} is the ac metallic voltage between tip and ring.

E_L is the line open circuit ac metallic voltage.

I_L is the ac metallic current.

R_F is a fuse resistor.

R_P is an optional part of the SLIC tertiary protection.

Z_L is the line impedance.

Z_T determines the SLIC TIPX to RINGX impedance for signal in the 0 - 20kHz frequency range.

Z_{RX} controls four- to two-wire gain.

V_{RX} is the analog ground referenced receive signal.

α_{RSN} is the receive summing node current to metallic loop current gain.

$$\alpha_{RSN} = 400$$

Two-Wire Impedance

To calculate Z_{TR} , the impedance presented to the two-wire line by the SLIC including the fuse and protection resistors R_F and R_P , let:

$$V_{RX} = 0.$$

From (1) and (2):

$$Z_{TR} = \frac{Z_T}{\alpha_{RSN} \cdot 0,5} + 2R_F + 2R_P$$

Thus with Z_{TR} , α_{RSN} , R_F and R_P known:

$$Z_T = \alpha_{RSN} \cdot 0,5 \cdot (Z_{TR} - 2R_F - 2R_P)$$

Two-Wire to Four-Wire Gain

From (1) and (2) with $V_{RX} = 0$:

$$G_{2-4} = \frac{V_{TX}}{V_{TR}} = - \frac{Z_T / \alpha_{RSN}}{\frac{Z_T}{\alpha_{RSN} \cdot 0,5} + 2R_F + 2R_P}$$

Four-Wire to Two-Wire Gain

From (1), (2) and (3) with $E_L = 0$:

$$G_{4-2} = \frac{V_{TR}}{V_{RX}} = \frac{Z_T}{Z_{RX}} \cdot \frac{Z_L}{\frac{Z_T}{\alpha_{RSN}} + 0,5 \cdot (Z_L + 2R_F + 2R_P)}$$

For applications where

$Z_T / (\alpha_{RSN} \cdot 0,5) + 2R_F + 2R_P$ is chosen to be equal to Z_L the expression for G_{4-2} simplifies to:

$$G_{4-2} = \frac{Z_T}{Z_{RX}}$$

Four-Wire to Four-Wire Gain

From (1), (2) and (3) with $E_L = 0$:

$$G_{4-4} = \frac{V_{TX}}{V_{RX}} = - \frac{Z_T}{Z_{RX}} \cdot \frac{0,5 \cdot (Z_L + 2R_F + 2R_P)}{\frac{Z_T}{\alpha_{RSN}} + 0,5 \cdot (Z_L + 2R_F + 2R_P)}$$

Hybrid Function

The hybrid function can easily be implemented utilizing the uncommitted amplifier in conventional CODEC/filter combinations. Please, refer to figure 10. Via impedance Z_B a current proportional to V_{RX} is injected into the summing node of the combination CODEC/filter amplifier. As can be seen from the expression for the four-wire to four-wire gain a voltage proportional to V_{RX} is returned to V_{TX} . This voltage is converted by R_{TX} to a current flowing into the same summing node. These currents can be made to cancel by letting:

$$\frac{V_{TX}}{R_{TX}} + \frac{V_{RX}}{Z_B} = 0 (E_L = 0)$$

The four-wire to four-wire gain, G_{4-4} , includes the required phase shift and thus the balance network Z_B can be calculated from:

$$Z_B = -R_{TX} \cdot \frac{V_{RX}}{V_{TX}} = R_{TX} \cdot \frac{Z_{RX}}{Z_T} \cdot \frac{\alpha_{RSN}}{0.5 \cdot (Z_L + 2R_F + 2R_P)}$$

When choosing R_{TX} , make sure the output load of the V_{TX} terminal is $>20 \text{ k}\Omega$.

If calculation of the Z_B formula above yields a balance network containing an inductor, an alternate method is recommended. Contact Ericsson Components for assistance.

The PBL 386 61/1 SLIC may also be used together with programmable CODEC/filters. The programmable CODEC/filter allows for system controller adjustment of hybrid balance to accommodate different line impedances without change of hardware. In addition, the transmit and receive gain may be adjusted.

Longitudinal Impedance

A feed back loop counteracts longitudinal voltages at the two-wire port by injecting longitudinal currents in opposing phase.

Thus longitudinal disturbances will appear as longitudinal currents and the TIPX and RINGX terminals will experience very small longitudinal voltage excursions, leaving metallic voltages well within the SLIC common mode range.

The SLIC longitudinal impedance per wire, Z_{LoT} and Z_{LoR} , appears as typically 20 ohm to longitudinal disturbances. It should be noted that longitudinal currents may exceed the dc loop current without disturbing the vf transmission.

Capacitors C_{TC} and C_{RC}

The capacitors designated C_{TC} and C_{RC} in figure 12, connected between TIPX and ground as well as between RINGX and ground, are recommended as an addition to the overvoltage protection network. C_{TC} and C_{RC} help attenuate transients passing through the overvoltage protection network.

C_{TC} and C_{RC} also work as RFI filters in conjunction with suitable series

impedances (i.e. resistances, inductances). Resistors R_{F1} and R_{F2} may be sufficient, but series inductances can be added to form a second order filter. Current-compensated inductors are suitable since they suppress common-mode signals with minimum influence on return loss. Recommended values for C_{TC} and C_{RC} are from 2,2nF - 33nF. Lower values impose smaller degradation on return loss and longitudinal balance, but also attenuate transients and radio frequencies to a smaller extent. When higher values are chosen, matching of the capacitors must be considered. The influence on the impedance loop must also be taken into consideration when programming the CODEC. C_{TC} and C_{RC} contribute to a metallic impedance of $1/(p \cdot f \cdot C_{TC}) = 1/(p \cdot f \cdot C_{RC})$, a TIPX to ground impedance of $1/(2 \cdot p \cdot f \cdot C_{TC})$ and a RINGX to ground impedance of $1/(2 \cdot p \cdot f \cdot C_{RC})$.

AC - DC Separation Capacitor, C_{HP}

The high pass filter capacitor connected between terminals HP and RINGX provides the separation of the ac and dc signals. C_{HP} positions the low end frequency response break point of the ac loop in the SLIC. Refer to table 1 for recommended value of C_{HP} .

Example: A C_{HP} value of 68 nF will position the low end frequency response 3dB break point of the ac loop at 13 Hz (f_{3dB}) according to $f_{3dB} = 1/(2 \cdot p \cdot R_{HP} \cdot C_{HP})$ where $R_{HP} = 180 \text{ k}\Omega$.

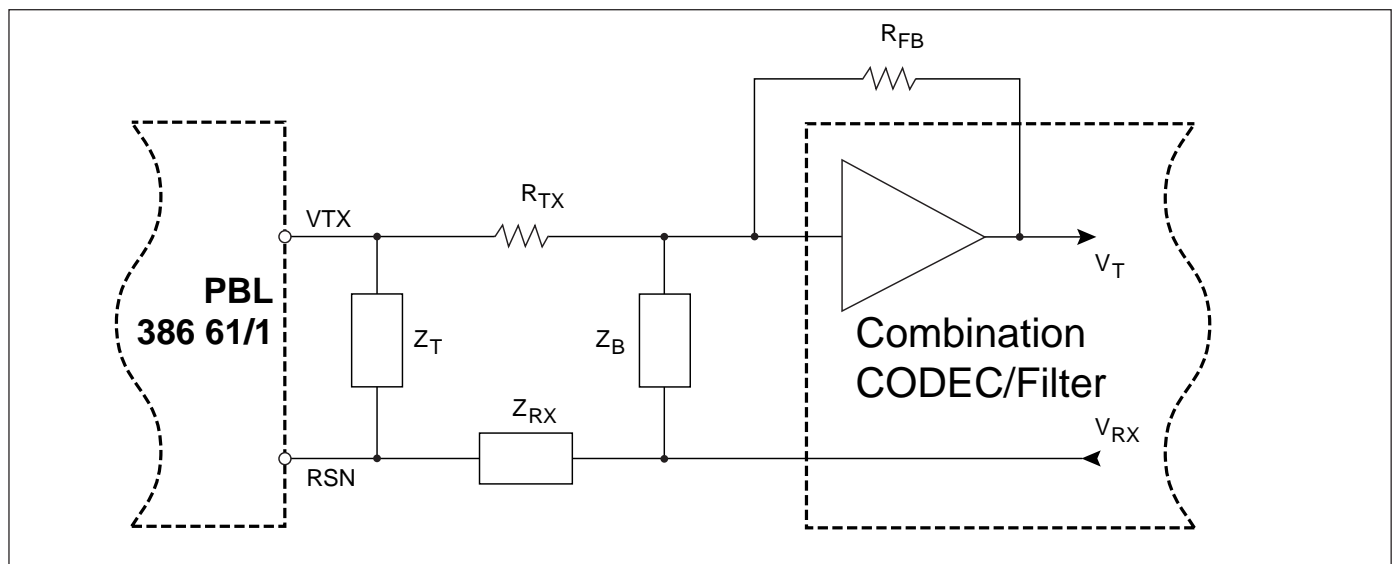


Figure 10. Hybrid function.

High-Pass Transmit Filter, C_{TX}

The capacitor C_{TX} in figure 12 connected between the VTX output and the CODEC/filter forms, together with R_{TX} and/or the input impedance of a programmable CODEC/filter, a high-pass RC filter. It is recommended to position the 3 dB break point of this filter between 30 and 80 Hz to get a faster response for the dc steps that may occur at DTMF signalling.

Capacitor C_{LP}

The capacitor C_{LP}, which connects between the terminals CLP and VBAT, positions the high end frequency break point of the low pass filter in the dc loop in the SLIC. C_{LP} together with C_{HP} and Z_T (see section Two-Wire Impedance) forms the total two wire output impedance of the SLIC. The choice of these programming components influence the power supply rejection ratio (PSRR) from VBAT to the two wire side in the low frequency range.

R _{FEED} [Ω]	R _{SG} [kΩ]	C _{LP} [nF]	C _{HP} [nF]
2•25*	4	330	68
2•50	24	330	68
2•200	144	100	33
2•400	304	47	33
2•800	624	22	33

Table 1. R_{SG}, C_{LP} and C_{HP} values for different feeding characteristics.

For values outside table 1, please contact Ericsson Components for assistance.

* R_{FEED} lower than 2•50 Ω will reduce noise and PSRR performance in the resistive loop region (reference D in figure 13). Higher PSRR can be achieved by increasing C_{LP} and C_{HP}.

Adaptive Overhead Voltage, AOV

For signals in the 0 - 20kHz frequency range and with an amplitude less than 3,1Vp⁵, the PBL38661/1 will behave as a SLIC with fixed overhead voltage. For signal amplitudes between 3,1Vp⁵ and 6,2Vp, the AOV-function will expand the overhead voltage making it possible for the signal Vt to propagate through the SLIC without distortion. The expansion of the overhead voltage occur instantaneously. When the signal amplitude decrease, the overhead voltage return to its initial value⁵ with a time constant of approximately 1 second.

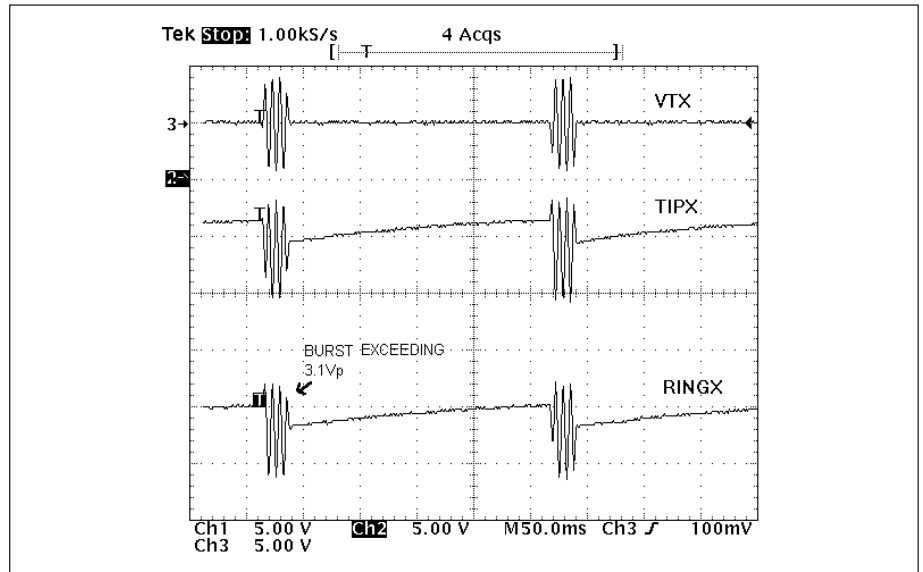


Figure 11. AOV. (Observe, burst undersampled).

AOV in constant current region

When the overhead voltage is automatically increased, the Apparent battery (V_{APP}, reference F in figure 13), will be reduced by the signal amplitude minus 3,1Vp⁵ (Vt-3,1Vp⁵). In the constant current region this change will not affect the line current as long as

$$V_{TR} < V_{APP} - (I_L * R_{FEED}) - (Vt - 3,1Vp^5)$$

AOV in resistive loop feed region

The saturationguard will be activated when the SLIC is working in the resistive loop feed region, i.e. V_{TR} > V_{APP} - (I_L * R_{FEED}) - (Vt - 3,1Vp⁵). If the signal amplitude is greater than 3,1Vp⁵ the line current, I_L will be reduced corresponding to the formula

$$\Delta I_L = | (Vt - 3,1Vp^5) / (R_L + R_{FEED}) |$$

Metering signals exceeding 3,1Vp⁵, will generate a transversal, and maybe audible, signal (due to reduction of the line current. This is not the case in constant current region). Speech (<3,1Vp) or other signals can be transmitted simultaneously with metering, since the line current reduction will be buried into the transversal signal. The sum of all signals should not exceed 6,2Vp.

If the AOV-pin is connected to VBAT, the signal headroom will automatically be adjusted for signal between 0Vp and 6,2Vp.

Line Feed

If V_{TR} < V_{APP} - (I_L * R_{FEED}), the PBL 386 61/1 SLIC will emulate constant current feed. For V_{TR} > V_{APP} - (I_L * R_{FEED}) the PBL 386 61/1 SLIC will emulate resistive loop feed programmable between 2•25 Ω¹ and 2•900 Ω. The current limitation region is adjustable between 0 mA and 65² mA.

The open loop voltage, V_{TRMAX}, measured between the TIPX and RINGX terminals is tracking the battery voltage VBAT. The voltage overhead, V_{OH}, is programmable by connect the AOV-pin to VBAT or not connect the AOV-pin at all (table 2).

V_{OH} defines the TIPX to RINGX voltage at open loop conditions according to

$$V_{TRMAX} (at I_L = 0 \text{ mA}) = |V_{Bat}| - V_{OH}$$

Refer to table 2 for typical V_{OH} value.

	V _{OH} (typ) [V]
AOV-PIN NC	4.2
AOV-PIN to VBAT	2.6

Table 2. Battery overhead.

When the AOV-pin is not connected and the line current is approaching open loop conditions the overhead voltage is reduced. The line voltage is kept nearly constant with a steep slope corresponding to 2•25 Ω (reference G in figure 13), to ensure maximum open loop voltage, even with a leaking telephone line (approximately 5mA).

Resistive loop feed region

The resistive loop feed (reference D in figure 13) is programmed by connecting a resistor R_{SG} , between terminals PSG and VBAT according to the equation

$$R_{FEED} = \frac{R_{SG}}{400} + 40 + 2R_F + 2R_P$$

Constant current region

The current limit (reference C in figure 13) is adjusted by connecting a resistor, R_{LC} , between terminal PLC and ground according to the equation:

$$R_{LC} = \frac{500}{I_{Lprog}} \quad (\text{Note 3})$$

Battery switch (VBAT2)

To reduce short loop power dissipation, a second, lower battery voltage may be connected to the device through an external diode at terminal VBAT2. The SLIC automatically switches between the two battery supply voltages without need for external control. The silent battery switching occurs when the line voltage passes the value

$$|VB2| - 40 \cdot I_L - 6 \quad (\text{Note 4})$$

Connect the terminal VBAT2 to the second power supply via the diode D_{B2} in figure 12.

A diode D_{BB} connected between terminal VB and the VB2 power supply, see figure 12, will make sure that the SLIC continues to work on the second battery even if the first battery voltage disappears.

If VB2 is not available, an external resistor may be connected between the VBAT2-pin and VBAT-pin to provide power dissipation outside the chip.

Calculation of the external power management resistor to locate the maximum power dissipation outside the SLIC is according to:

$$R_{PM} = \frac{|VBAT| - 3}{I_{Lprog}}$$

METERING , PRM, TTX

It is very easy to use PBL386 61/1 in metering applications ,simply connect a suitable resistor (R_{TTX}) in series with a capacitor (C_{TTX}) between pin RSN and the metering source. Capacitor C_{TTX} decouples all DC - voltages that may be superimposed on the metering signal.

$$G_{4-2 METERING} = \frac{V_{TR}}{V_{TTX}} = \frac{Z_T}{R_{TTX} \cdot \frac{Z_T}{\alpha_{RSN}} + 0,5 \cdot (Z_L + 2R_F + 2R_P)}$$

In metering applications, (as mentioned earlier in chapter "AOV in resistive loop feed region") with high requirements, the V_t should not exceed $2.2V_{RMS}^6$, since the reduction of the line current will generate a transversal, and maybe audible, signal (i.e. this is not the case in constant current region).

Analog Temperature Guard

The widely varying environmental conditions in which SLIC operate may lead to the chip temperature limitations being exceeded. The PBL 386 61/1 SLIC reduce the dc line current and the longitudinal current limit when the chip temperature reaches approximately 145°C and increases it again automatically when the temperature drops.

The detector output, DET, is forced to a logic low level when the temperature guard is active.

Loop Monitoring Functions

The loop current, ground key and ring trip detectors report their status through a common output, DET. The status of the detector pin, DET, is selected via the three bit control interface C1, C2 and C3. Please refer to section Control Inputs for a description of the control interface.

Loop Current Detector

The loop current detector is indicating that the telephone is off hook and that DC current is flowing in the loop by putting the output pin DET, to a logical low level when selected. The loop current detector threshold value, I_{LTh} , where the loop current detector changes state, is programmable with the R_{LD} resistor. R_{LD} connects between pin PLD and ground and is calculated according to:

$$R_{LD} = \frac{500}{I_{LTh}}$$

The current detector is internally filtered and is not influenced by the ac signal at the two wire side.

Ring Trip Detector

Ring trip detection is accomplished by connecting an external network to a comparator in the SLIC with inputs DT and DR. The ringing source can be balanced or unbalanced superimposed on V_{Bat} . The unbalanced ringing source may be applied to either the ring lead or the tip lead with return via the other wire. A ring relay driven by the SLIC ring relay driver connects the ringing source to tip and ring.

The ring trip function is based on a polarity change at the comparator input when the line goes off-hook. In the on-hook state no dc current flows through the loop and the voltage at comparator input DT is more positive than the voltage at input DR. When the line goes off-hook, while the ring relay is energized, dc current flows and the comparator input voltage reverses polarity.

Figure 12 gives an example of a ring trip detection network. This network is applicable, when the ring voltage superimposed on V_{Bat} is injected on the ring lead of the two-wire port. The dc voltage across sense resistor R_{RT} is monitored by the ring trip comparator input DT and DR via the network R_1, R_2, R_3, R_4, C_1 and C_2 . DT is more positive than DR, with the line on-hook (no dc current). The DET output will report logic level high, i.e. the detector

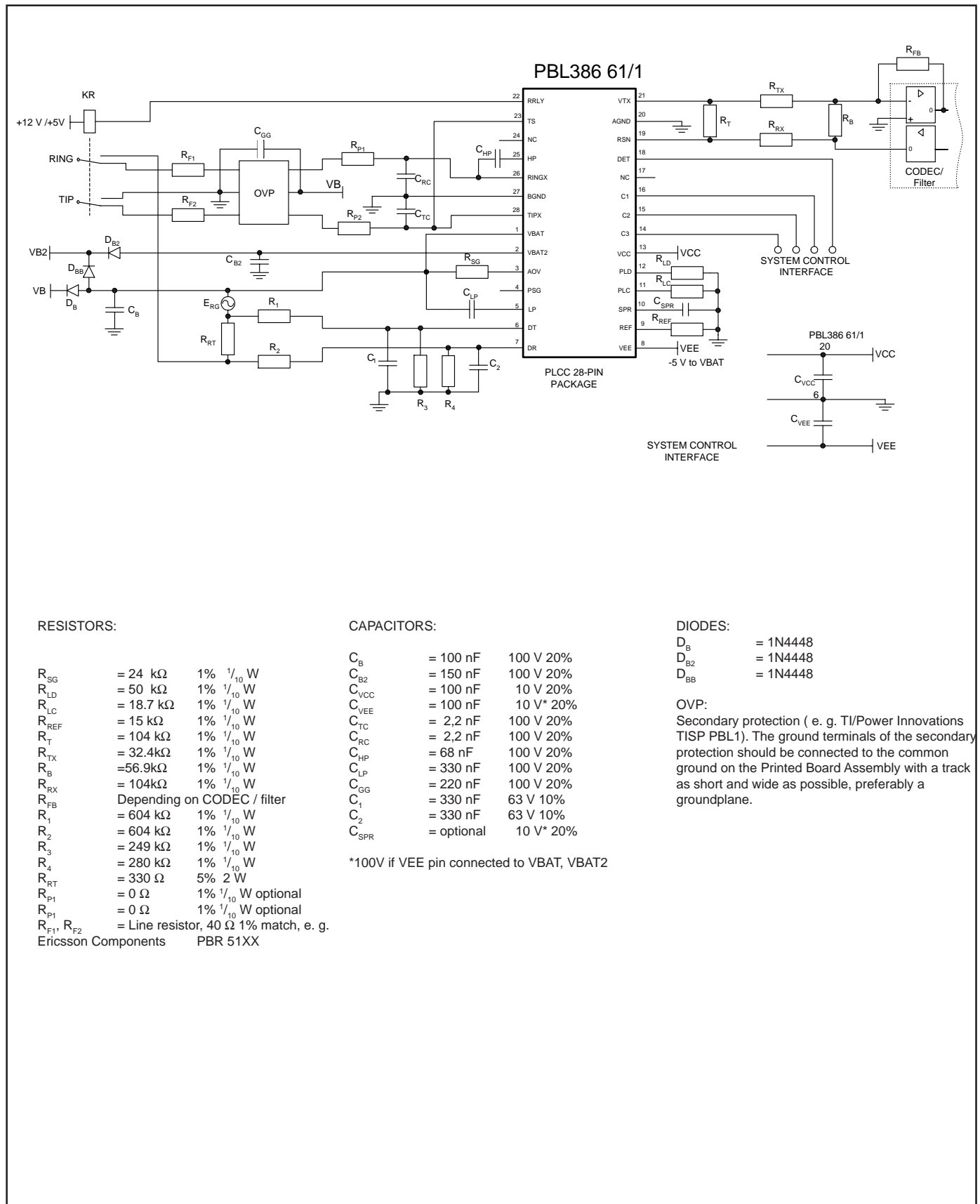


Figure 12. Single-channel subscriber line interface with PBL 38661/1 and combination CODEC/filter

is not tripped. When the line goes off-hook, while ringing, a dc current will flow through the loop including sense resistor R_{RT} and will cause the input DT to become more negative than input DR. This changes the output on the DET pin to logic level low, i.e. tripped detector condition. The system controller (or line card processor) responds by de-energizing the ring relay via the SLIC, i.e. ring trip.

Complete filtering of the 20 Hz ac component at terminals DT and DR is not necessary. A toggling DET output can be examined by a software routine to determine the duty cycle. Off-hook condition is indicated when the DET output is at logic level low for more than half the time.

Detector Output (DET)

The PBL 386 61/1 SLIC incorporates a detector output driver designed as open collector (nnp) with a current sinking capability of min 3 mA, and a $5k\Omega$ pull-up resistor. The emitter of the drive transistor is connected to AGND. A LED can be connected in series with a resistor ($\approx 1k$) at the DET output to visualize, for example loop status.

Relay driver

The PBL 386 61/1 SLIC incorporates a ring relay driver designed as open collector (nnp) with a current sinking capability of 50 mA (max leakage current $100\mu A$). The emitter of the drive transistor is connected to BGND. The relay driver has an internal zener diode clamp to protect the SLIC from inductive kick-back voltages. No external clamp is needed.

Control Inputs

The PBL 386 61/1 SLIC have three TTL compatible digital control inputs, C1, C2 and C3. A decoder in the SLIC interprets the control input condition and sets up the commanded operating state.

C1 to C3 are internal pull-up inputs.

Open Circuit State

In the Open Circuit State the TIPX and RINGX line drive amplifiers as well as other circuit blocks are powered down. This causes the SLIC to present a high impedance to the line. Power dissipation is at a minimum and no detectors are active.

Ringing State

The SLIC will be as in the active state, during the Ringing state.

The differences are that the ring relay driver and the ring trip detector are activated. The ring trip detector will indicate off hook with a logic low level at the detector output.

Overvoltage Protection

PBL 386 61/1 must be protected against overvoltages on the telephone line. The overvoltages could be caused for instance by lightning, ac power contact and induction. Refer to Maximum Ratings, TIPX and RINGX terminals, for maximum continuous and transient voltages.

Secondary Protection

The circuit shown in figure 12 utilizes series resistors together with a programmable overvoltage protector (e.g. TI/Power Innovations TISP PBL1), serving as a secondary protection.

The TISP PBL1 is a dual forward-conducting buffered p-gate overvoltage protector. The protector gate references the protection (clamping) voltage to negative supply voltage (i.e. the battery voltage, V_{Bat}). As the protection voltage will track the negative supply voltage the overvoltage stress on the SLIC is minimized.

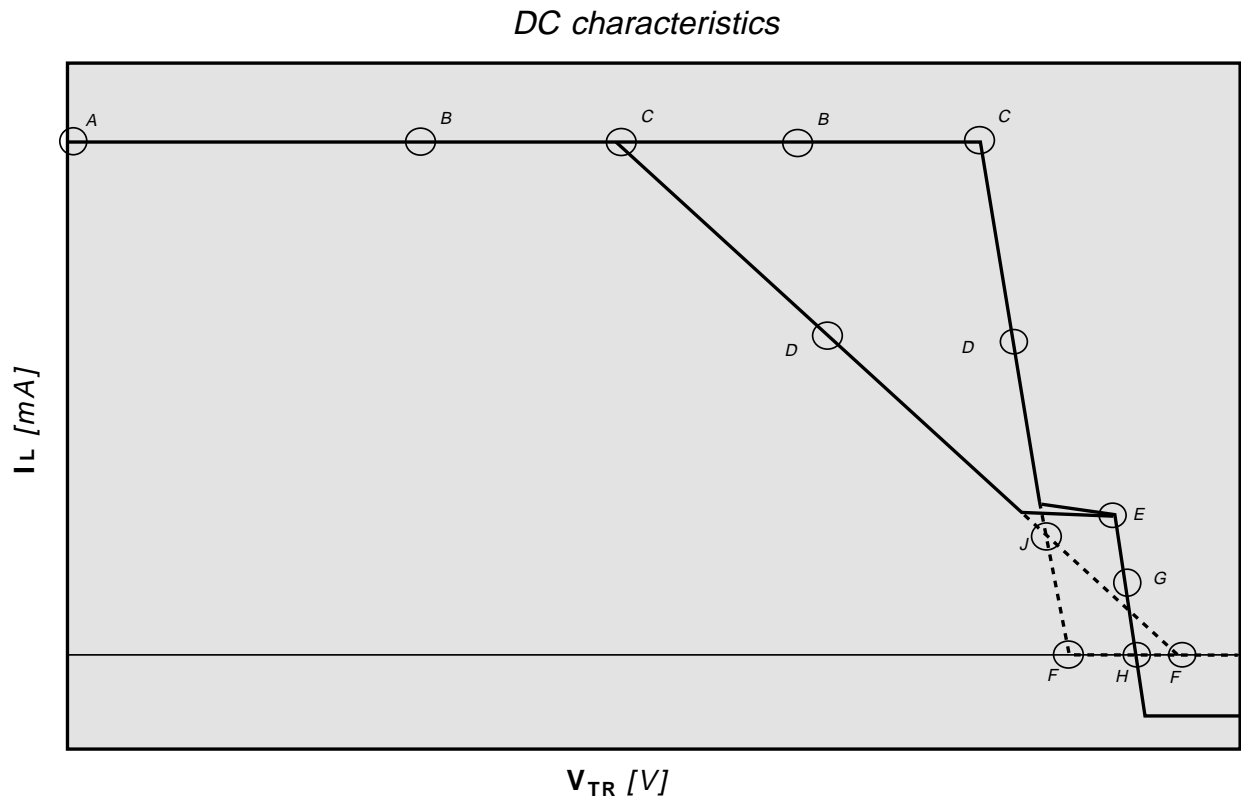
Positive overvoltages are clamped to ground by a diode. Negative overvoltages are initially clamped close to the SLIC negative supply rail voltage and the protector will crowbar into a low voltage on-state condition, by firing an internal thyristor.

A gate decoupling capacitor, C_{GG} , is needed to carry enough charge to supply a high enough current to quickly turn on the thyristor in the protector. C_{GG} shall be placed close to the overvoltage protection device. Without the capacitor even the low inductance in the track to the V_{Bat} supply will limit the current and delay the activation of the thyristor clamp. I_{LPROG} must be less than 55mA with TISP PBL1, to ensure that its holding current is not exceeded.

The fuse resistors R_F serve the dual purposes of being non-destructive energy dissipators, when transients are clamped and of being fuses, when the line is exposed to a power cross. Ericsson Components AB offers a series of thick film resistors networks (e.g. PBR 51-series and PBR 53-series) designed for this purpose.

Also devices with a built in resettable fuse function is offered (e.g. PBR 52-series) including positive temperature coefficient (PTC) resistors, working as resettable fuses, in series with thick film resistors.

Note that it is always important to use resistors not sensitive to temperature in series with PTC's since the PTC act as a capacitance for transients. Otherwise the SLIC is not protected properly.



- A: $I_L(@V_{TR}=0V)=I_{Lprog} R_{LC}^* = \frac{500}{I_{Lprog}}$
- B: Same as A
- C: Same as A
 $VC = V_{Batvirt} - R_{FEED} \cdot (I_{Lprog} - 5m)$
- D: $R_{FEED} = (R_{SG}/400) + 40 \Omega$
- E: $I_L \approx 5mA$
- F: Apparent battery $V_{APP}(@I_L = 0) = V_{Batvirt} + 5m \cdot R_{FEED}$
- G: $R_{FEEDG} = 2 \cdot 25\Omega$
- H: $V_{TRMAX} = |V_{BAT}| - V_{OH}$
- J: Virtual battery ($@ I_L = +5mA$) $= V_{Batvirt} = |V_{BAT}| - 6.8^{**}$

*The accurate equation for $R_{LC} = \frac{500}{I_{Lprog}} - \frac{400 \cdot VT \cdot \ln(I_{Lprog} \cdot 32)}{I_{Lprog}}$ where $VT = 0.026$

** 6.8 when AOV-PIN is not connected, 3.6 when AOV-PIN is connected to VBAT

Figure 13. Battery feed characteristics (without the protection resistors on the line).

Power-up Sequence

No special power-up sequence is necessary except that ground has to be present before all other power supply voltages.

Printed Circuit Board Layout

Care in PCB layout is essential for proper function. The components connecting to the RSN input should be placed in close proximity to that pin, such that no interference is injected into the RSN pin. Ground plane surrounding the RSN pin is advisable.

Analog ground (AGND) should be connected to battery ground (BGND) on the PCB in one point. R_{LC} and R_{REF} should be connected to AGND with short leads. Pin LP and pin AOV are sensitive to leakage currents and should be surrounded by guardrings of equal voltage. RSG and CLP connections to VBAT must be very close to each other. CBAT and CVB2 must be connected with short, wide leads of the same length.

Notes

Note 1. R_{FEED} lower than $2 \cdot 50 \Omega$ will reduce noise and PSRR performance in resistive loop region (reference D in figure 13). Higher PSRR can be achieved by increasing C_{LP} and C_{HP} .

Note 2. If the momentary value of the current in TIPX-pin or RINGX-pin exceeds 85m THD specification can be derated.

Note 3. The accurate equation for:

$$R_{LC} = \frac{500}{I_{Lprog}} - \frac{400 \cdot VT \cdot \ln(I_{Lprog} \cdot 32)}{I_{Lprog}}$$

where $VT = 0.026$

Note 4. 6 when AOV-PIN is not connected, 3.3 when AOV-PIN is connected to Vbat

Note 5. 3.1Vp if AOV-pin is left open and 0V if AOV-pin is connected to VBAT.

Note 6. $2.2V_{RMS}$ if AOV-pin is left open and 0V if AOV-pin is connected to VBAT.

Ordering Information

Package	Temp. Range	Part No.
28pin PLCC	0° - + 70° C	PBL 386 61/1 QN

Information given in this data sheet is believed to be accurate and reliable. However no responsibility is assumed for the consequences of its use nor for any infringement of patents or other rights of third parties which may result from its use. No license is granted by implication or otherwise under any patent or patent rights of Ericsson Components AB. These products are sold only according to Ericsson Components general conditions of sale, unless otherwise confirmed in writing.

Specifications subject to change without notice.

1522-PBL 386 61/1 Uen Rev. B
© Ericsson Components AB, October 1997

This product is an original Ericsson product protected by US, European and other patents.

ERICSSON 

Ericsson Components AB
S-164 81 Kista-Stockholm, Sweden
Telephone: (08) 757 50 00