



## 16-Bit Low-Power Stereo Audio ADC With Microphone Bias and Microphone Amplifier

### FEATURES

- **Analog Front End:**
  - Stereo Single End Input With MUX
  - Mono Differential Input
  - Stereo Programmable Gain Amplifier
  - Microphone Boost Amplifier and Bias
- **Analog Performances Dynamic Range: 90 dB**
- **Power-Supply Voltage**
  - 1.71 V to 3.6 V for Digital I/O Section
  - 1.71 V to 3.6 V for Digital Core Section
  - 2.4 V to 3.6 V for Analog Section
- **Low Power Dissipation:**
  - 13 mW in Record, 1.8/2.4 V, 48 kHz, Stereo
  - 5.3 mW in Record, 1.8/2.4 V, 8 kHz, Mono
  - 3.3  $\mu$ W in All Power Down
- **Sampling Frequency: 5 kHz to 50 kHz**
- **Auto Level Control for Recording**
- **Operation by Single Clock Input Without PLL**
- **System Clock: Common Audio Clock**  
( $256 f_s/384 f_s$ ), 12/24, 13/26, 13.5/27, 19.2/38.4, 19.68/39.36 MHz
- **2 (I<sup>2</sup>C) or 3 (SPI) Wire Serial Control**
- **Programmable Function by Register Control:**
  - Digital Soft Mute
  - Power Up/Down Control for Each Module
  - 30-dB to –12-dB Gain for Analog Inputs
  - 0/12/20-dB Boost for Microphone Input
  - Parameter Settings for ALC
  - Three-Band Tone Control and 3D Sound
  - High-Pass Filter and Two-Stage Notch Filter
- **Pop Noise Reduction Circuit**

- **Package:**
  - 24-QFN (4 mm  $\times$  5 mm)
  - 24-DSBGA (2.49 mm  $\times$  3.49 mm)
- **Operation Temperature Range: –40°C to 85°C**

### APPLICATIONS

- **Portable Audio Player, Cellular Phone**
- **Video Camcorder, Movie Digital Still Camera**
- **PMP/DMB, Voice Recorder**

### DESCRIPTION

The PCM1870 is a low-power stereo ADC designed for portable digital audio applications, with line-input amplifier, boost amplifier, microphone bias, programmable gain control, sound effects, and auto level control (ALC). It is available in 24-QFN (4-mm  $\times$  5-mm) and 24-DSBGA (2.49-mm  $\times$  3.49-mm) packages to save footprint. The PCM1870 accepts right-justified, left-justified, I<sup>2</sup>S, and DSP formats, providing easy interfacing to audio DSP and encoder chips. Sampling rates up to 50 kHz are supported. The user-programmable functions are accessible through a 2- or 3-wire serial control port.



Please be aware that an important notice concerning availability, standard warranty, and use in critical applications of Texas Instruments semiconductor products and disclaimers thereto appears at the end of this data sheet.



This integrated circuit can be damaged by ESD. Texas Instruments recommends that all integrated circuits be handled with appropriate precautions. Failure to observe proper handling and installation procedures can cause damage.

ESD damage can range from subtle performance degradation to complete device failure. Precision integrated circuits may be more susceptible to damage because very small parametric changes could cause the device not to meet its published specifications.

## ABSOLUTE MAXIMUM RATINGS

over operating free-air temperature range (unless otherwise noted)<sup>(1)</sup>

|                                |  | PCM1870    | UNIT   |
|--------------------------------|--|------------|--------|
| $V_{DD}$ , $V_{IO}$ , $V_{CC}$ | Supply voltage                               | –0.3 to 4  | V      |
|                                | Ground voltage differences: DGND, AGND, PGND | ±0.1       | V      |
|                                | Input voltage                                | –0.3 to 4  | V      |
|                                | Input current (any pins except supplies)     | ±10        | mA     |
|                                | Ambient temperature under bias               | –40 to 110 | °C     |
|                                | Storage temperature                          | –55 to 150 | °C     |
|                                | Junction temperature                         | 150        | °C     |
|                                | Lead temperature (soldering)                 | 260 / 5    | °C / s |
|                                | Package temperature (reflow, peak)           | 260        | °C     |

(1) Stresses beyond those listed under *absolute maximum ratings* may cause permanent damage to the device. These are stress ratings only, and functional operation of the device at these or any other conditions beyond those indicated under *recommended operating conditions* is not implied. Exposure to absolute-maximum-rated conditions for extended periods may affect device reliability.

## RECOMMENDED OPERATING CONDITIONS

|                     |                                 | MIN                 | NOM | MAX    | UNIT |    |
|---------------------|---------------------------------|---------------------|-----|--------|------|----|
| $V_{CC}$            | Analog supply voltage           | 2.4                 | 3.3 | 3.6    | V    |    |
| $V_{DD}$ , $V_{IO}$ | Digital supply voltage          | 1.71                | 3.3 | 3.6    | V    |    |
|                     | Digital input logic family      | CMOS                |     |        |      |    |
|                     | Digital input clock frequency   | SCKI system clock   |     | 18.432 | MHz  |    |
|                     |                                 | LRCK sampling clock |     | 48     | kHz  |    |
|                     | Digital output load capacitance |                     |     |        | 10   | pF |
| $T_A$               | Operating free-air temperature  | –40                 |     |        | 85   | °C |

## ELECTRICAL CHARACTERISTICS

All specifications at  $T_A = 25^\circ\text{C}$ ,  $V_{DD} = V_{IO} = V_{CC} = V_{PA} = 3.3\text{ V}$ ,  $f_s = 48\text{ kHz}$ , system clock =  $256 f_s$ , and 16-bit data, unless otherwise noted

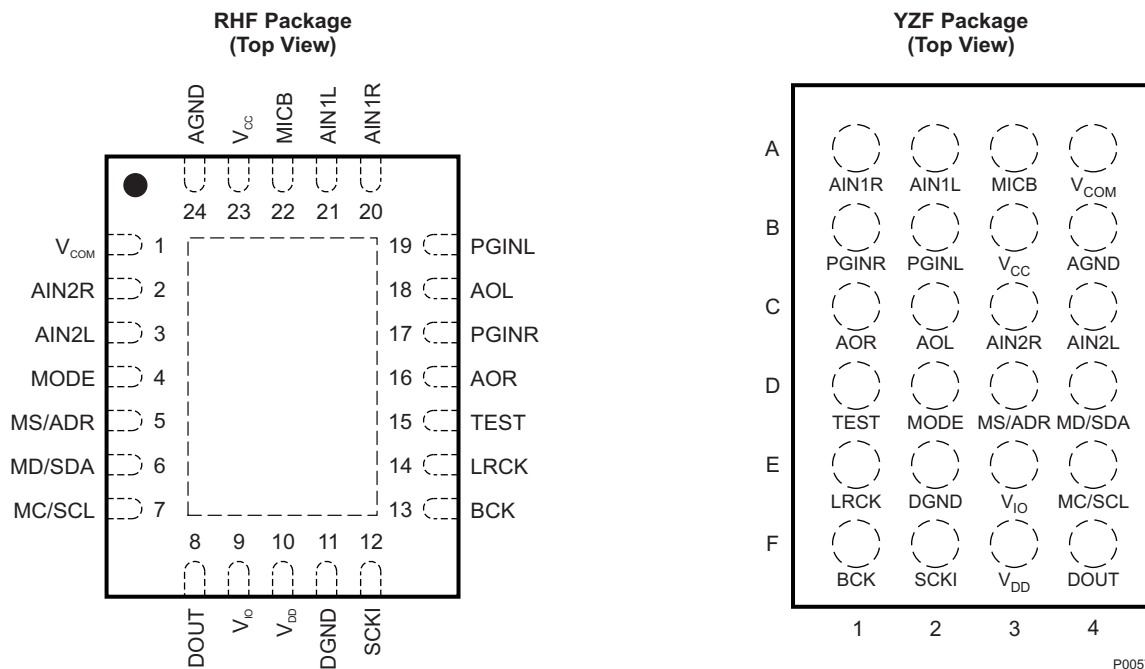
| PARAMETER  |                                   | TEST CONDITIONS                     | PCM1870RHF, PCM1870YZF                        |        |     | UNIT          |
|--|-----------------------------------|-------------------------------------|---|--------|-----|---------------|
|  |                                   |                                     | MIN   | TYP    | MAX |               |
| <b>AUDIO DATA</b>  |                                   |                                     |   |        |     |               |
| <b>Data Format</b>   |                                   |                                     |   |        |     |               |
|  | Resolution                        |                                     | 16  |        |     | Bits          |
|  | Audio data interface format       |                                     | I <sup>2</sup> S, left-, right-justified, DSP |        |     |               |
|  | Audio data bit length             |                                     | 16  |        |     | Bits          |
|  | Audio data format                 |                                     | MSB-first, 2s-complement                      |        |     |               |
| $f_s$  | Sampling frequency                |                                     | 5   |        | 50  | kHz           |
|  | System clock                      | $V_{DD} < 2\text{ V}$               |   |        | 27  | MHz           |
|  |                                   | $V_{DD} > 2\text{ V}$               |   |        | 40  |               |
| <b>DIGITAL INPUT/OUTPUT</b>  |                                   |                                     |   |        |     |               |
|  | Logic family                      |                                     | CMOS compatible                               |        |     |               |
| $V_{IH}$   | Input logic level                 |                                     | $0.7 V_{IO}$                                  |        |     | VDC           |
| $V_{IL}$   |                                   |                                     | $0.3 V_{IO}$                                  |        |     |               |
| $I_{IH}$   | Input logic current               | $V_{IN} = 3.3\text{ V}$             |   |        | 10  | $\mu\text{A}$ |
| $I_{IL}$   |                                   | $V_{IN} = 0\text{ V}$               |   |        | -10 |               |
| $V_{OH}$   | Output logic level                | $I_{OH} = -2\text{ mA}$             | $0.75 V_{IO}$                                 |        |     | VDC           |
| $V_{OL}$   |                                   | $I_{OL} = 2\text{ mA}$              | $0.25 V_{IO}$                                 |        |     |               |
| <b>LINE INPUT TO DIGITAL OUTPUT THROUGH ADC (AIN1L/R, AIN2L/R AND PGINL/R)—ALC = OFF, PG1 = PG2 = PG3 = PG4 = 0 dB</b> |                                   |                                     |   |        |     |               |
| <b>Dynamic Performance</b>   |                                   |                                     |   |        |     |               |
|  | Full-scale input voltage          | 0 dB                                | 2.828   |        |     | Vp-p          |
|  |                                   |                                     | 1   |        |     | Vrms          |
|  | Dynamic range                     | EIAJ, A-weighted                    | 90  |        |     | dB            |
| SNR  | Signal-to-noise ratio             | EIAJ, A-weighted                    | 83  | 90     |     | dB            |
|  | Channel separation                |                                     | 87  |        |     | dB            |
| THD+N  | Total harmonic distortion + noise | -1 dB                               | 0.009%  | 0.017% |     |               |
| <b>Analog Input</b>  |                                   |                                     |   |        |     |               |
|  | Center voltage                    |                                     | $0.5 V_{CC}$                                  |        |     | V             |
|  | Input impedance                   | AIN1L, AIN1R, AIN2L, and AIN2R      | 10  | 20     |     | k $\Omega$    |
|  |                                   | PGINL and PGINR, PG3 = PG4 = -12 dB | 70  | 142    |     |               |
|  |                                   | PGINL and PGINR, PG3 = PG4 = 30 dB  | 4.7   | 9.5    |     |               |
| <b>ANALOG OUTPUTS (AOL AND AOR)</b>  |                                   |                                     |   |        |     |               |
|  | Center voltage                    |                                     | $0.5 V_{CC}$                                  |        |     | V             |
|  | Load resistance                   |                                     | 10  |        |     | k $\Omega$    |
|  | Load capacitance                  |                                     | 20  |        |     | pF            |
| <b>MICROPHONE BIAS—ALC = OFF, PG1 = PG2 = PG3 = PG4 = 0 dB</b>   |                                   |                                     |   |        |     |               |
|  | Bias voltage                      |                                     | $0.75 V_{CC}$                                 |        |     | V             |
|  | Bias source current               |                                     | 2   |        |     | mA            |
|  | Output noise                      |                                     | 6.5   |        |     | $\mu\text{V}$ |

**ELECTRICAL CHARACTERISTICS (continued)**

All specifications at  $T_A = 25^\circ\text{C}$ ,  $V_{DD} = V_{IO} = V_{CC} = V_{PA} = 3.3\text{ V}$ ,  $f_S = 48\text{ kHz}$ , system clock =  $256 f_S$ , and 16-bit data, unless otherwise noted

| PARAMETER                                    |                    | TEST CONDITIONS                | PCM1870RHF, PCM1870YZF |     |     | UNIT               |                  |
|--|--------------------|--------------------------------|------------------------|-----|-----|--------------------|------------------|
|  |                    |                                | MIN                    | TYP | MAX |                    |                  |
| <b>FILTER CHARACTERISTICS</b>                |                    |                                |                        |     |     |                    |                  |
| <b>Decimation Filter for ADC</b>             |                    |                                |                        |     |     |                    |                  |
| Pass band                                    |                    |                                | 0.408 $f_S$            |     |     |                    |                  |
| Stop band                                    |                    |                                | 0.591 $f_S$            |     |     |                    |                  |
| Pass-band ripple                             |                    |                                | $\pm 0.02$             |     |     | dB                 |                  |
| Stop-band attenuation                        |                    | $f < 3.268 f_S$                | -60                    |     |     | dB                 |                  |
| Group delay                                  |                    |                                | $17/f_S$               |     |     | s                  |                  |
| <b>High-Pass Filter for ADC</b>              |                    |                                |                        |     |     |                    |                  |
| Frequency response ( $f_c = 4\text{ Hz}$ )   |                    | -3 dB                          | 3.74                   |     |     | Hz                 |                  |
|  |                    | -0.5 dB                        | 10.66                  |     |     |                    |                  |
|  |                    | -0.1 dB                        | 24.20                  |     |     |                    |                  |
| Frequency response ( $f_c = 120\text{ Hz}$ ) |                    | -3 dB                          | 118.77                 |     |     | Hz                 |                  |
|  |                    | -0.5 dB                        | 321.75                 |     |     |                    |                  |
|  |                    | -0.1 dB                        | 605.52                 |     |     |                    |                  |
| Frequency response ( $f_c = 240\text{ Hz}$ ) |                    | -3 dB                          | 235.68                 |     |     | Hz                 |                  |
|  |                    | -0.5 dB                        | 609.95                 |     |     |                    |                  |
|  |                    | -0.1 dB                        | 2601.2                 |     |     |                    |                  |
| <b>POWER SUPPLY AND SUPPLY CURRENT</b>       |                    |                                |                        |     |     |                    |                  |
| $V_{IO}$                                     | Voltage range      | $V_{IO}$                       | 1.71                   | 3.3 | 3.6 | VDC                |                  |
| $V_{DD}$                                     |                    | $V_{DD}$                       | 1.71                   | 3.3 | 3.6 |                    |                  |
| $V_{CC}$                                     |                    | $V_{CC}$                       | 2.4                    | 3.3 | 3.6 |                    |                  |
| Supply current                               |                    | BPZ input, all active, no load | 8                      |     |     | 12                 | mA               |
|  |                    | All inputs are held static.    | 1                      |     |     | 10                 | $\mu\text{A}$    |
| Power dissipation                            |                    | BPZ input                      | 26.4                   |     |     | 39.6               | mW               |
|  |                    | All inputs are held static.    | 3.3                    |     |     | 33                 | $\mu\text{W}$    |
| <b>TEMPERATURE CONDITION</b>                 |                    |                                |                        |     |     |                    |                  |
| Operation temperature                        |                    |                                | -40                    |     |     | 85                 | $^\circ\text{C}$ |
| $\theta_{JA}$                                | Thermal resistance |                                | 35                     |     |     | $^\circ\text{C/W}$ |                  |

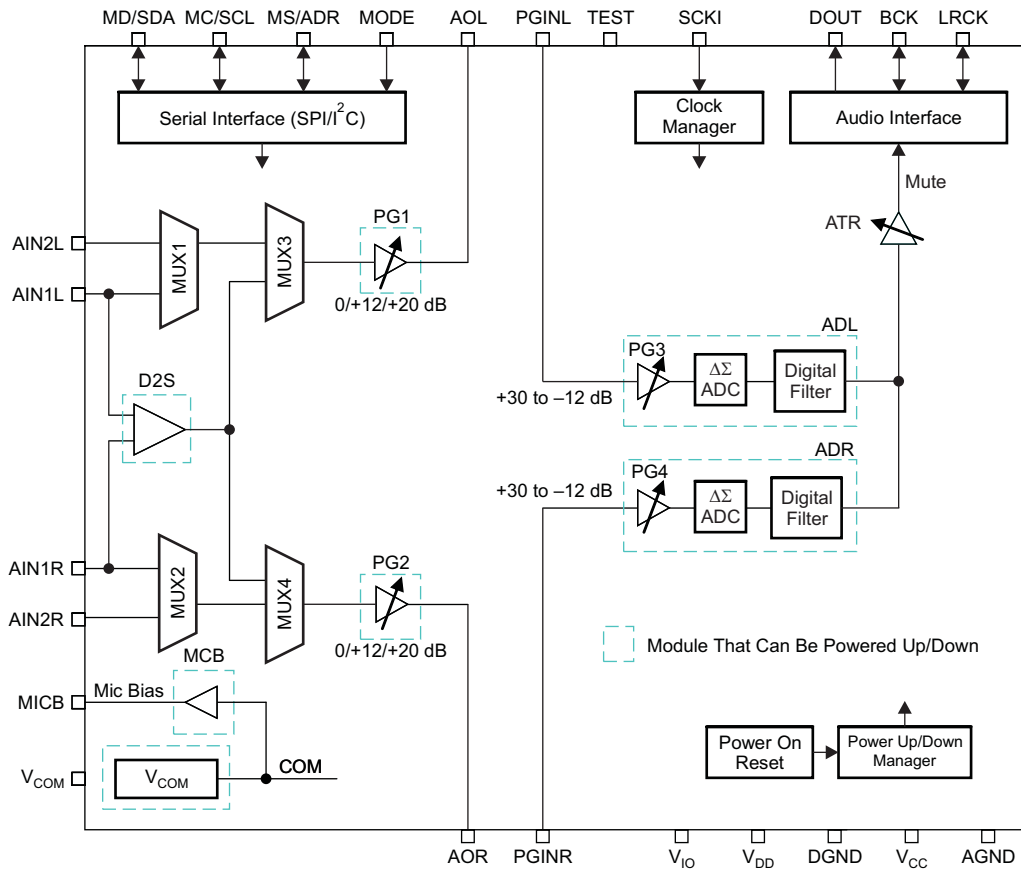
## PIN ASSIGNMENTS



**Table 1. TERMINAL FUNCTIONS**

| TERMINAL         |     | I/O | DESCRIPTION |   |
|------------------|-----|-----|-------------|---|
| NAME             | NO. |     |             |   |
|                  | RHF | YZF |             |   |
| AGND             | 24  | B4  | –           | Ground for analog   |
| AIN1L            | 21  | A2  | I           | Analog input 1 for L-channel  |
| AIN1R            | 20  | A1  | I           | Analog input 1 for R-channel  |
| AIN2L            | 3   | C4  | I           | Analog input 2 for L-channel  |
| AIN2R            | 2   | C3  | I           | Analog input 2 for R-channel  |
| AOL              | 18  | C2  | O           | Microphone amplifier output for L-channel                           |
| AOR              | 16  | C1  | O           | Microphone amplifier output for R-channel                           |
| BCK              | 13  | F1  | I/O         | Serial bit clock  |
| DGND             | 11  | E2  | –           | Ground for digital  |
| DOUT             | 8   | F4  | O           | Serial audio data output  |
| LRCK             | 14  | E1  | I/O         | Left- and right-channel clock                                       |
| MC/SCL           | 7   | E4  | I           | Mode control clock for 3-wire / 2-wire interface                    |
| MD/SDA           | 6   | D4  | I/O         | Mode control data for 3-wire / 2-wire interface                     |
| MICB             | 22  | A3  | O           | Microphone bias source output                                       |
| MODE             | 4   | D2  | I           | 2- or 3-wire interface selection (LOW: SPI, HIGH: I <sup>2</sup> C) |
| MS/ADR           | 5   | D3  | I           | Mode control select for 3-wire / 2-wire interface                   |
| PGINL            | 19  | B2  | I           | Analog input to gain amplifier for L-channel                        |
| PGINR            | 17  | B1  | I           | Analog input to gain amplifier for R-channel                        |
| SCKI             | 12  | F2  | I           | System clock  |
| TEST             | 15  | D1  | I           | Test Pin. Should be connected to ground.                            |
| V <sub>CC</sub>  | 23  | B3  | –           | Power supply for analog   |
| V <sub>COM</sub> | 1   | A4  | –           | Common voltage for analog   |
| V <sub>DD</sub>  | 10  | F3  | –           | Power supply for digital core                                       |
| V <sub>IO</sub>  | 9   | E3  | –           | Power supply for digital I/O  |

**FUNCTIONAL BLOCK DIAGRAM**



B0231-01

### TYPICAL PERFORMANCE CURVES

All specifications at  $T_A = 25^\circ\text{C}$ ,  $V_{DD} = V_{IO} = V_{CC} = V_{PA} = 3.3\text{ V}$ ,  $f_s = 8\text{ kHz to }48\text{ kHz}$ , system clock =  $256 f_s$  and 16-bit data, unless otherwise noted.

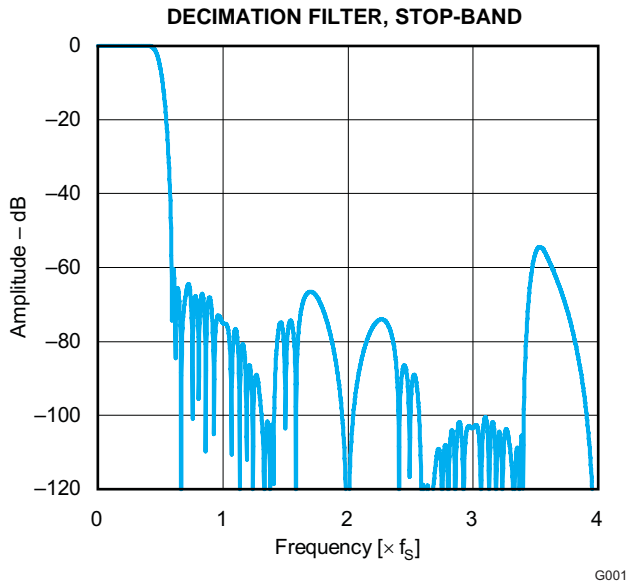


Figure 1.

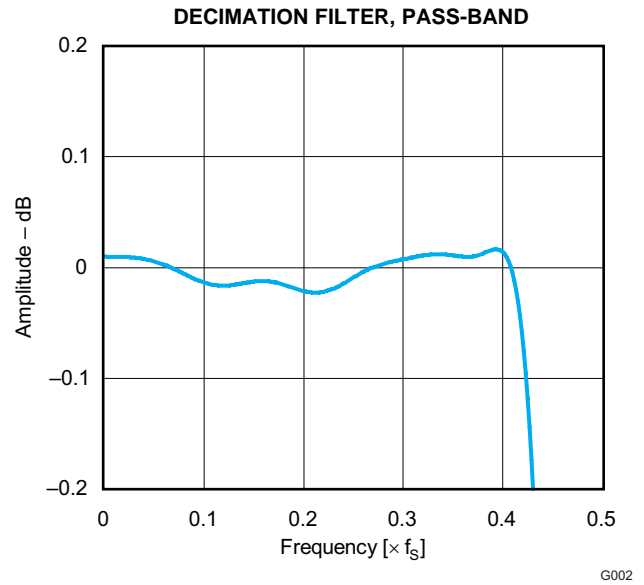


Figure 2.

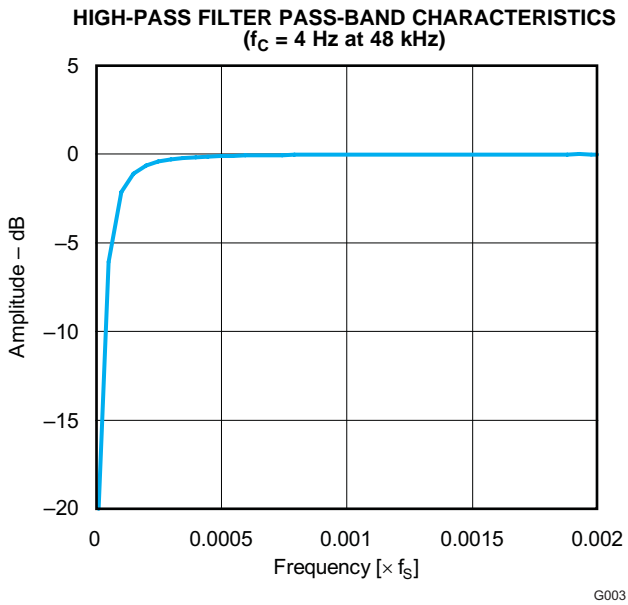


Figure 3.

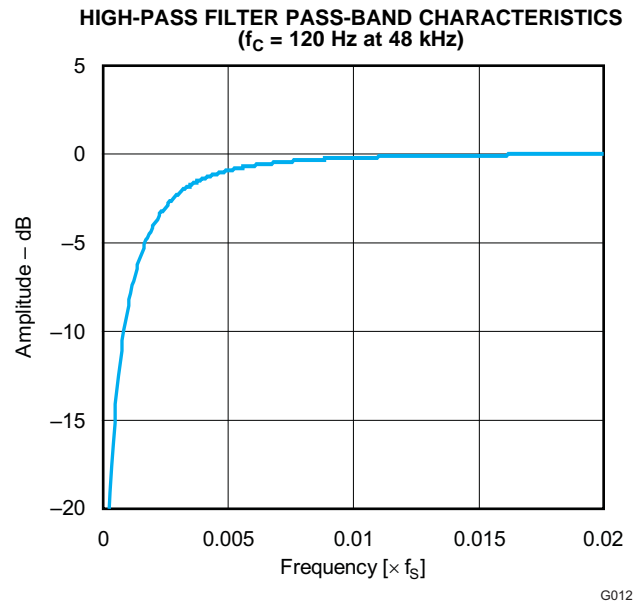
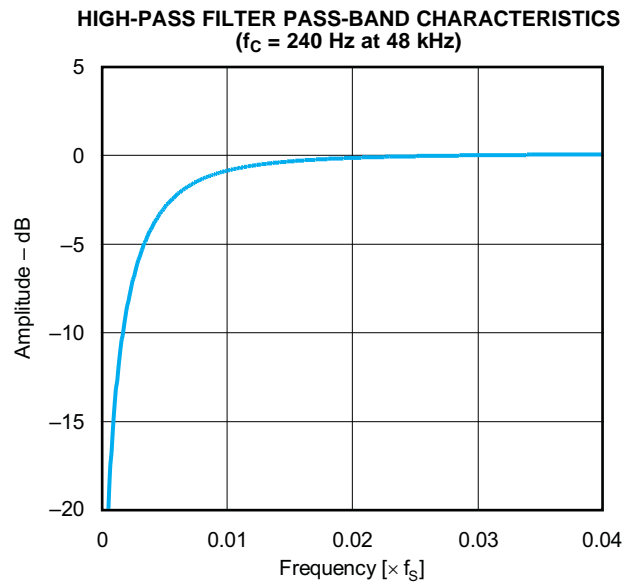


Figure 4.

**TYPICAL PERFORMANCE CURVES (continued)**

All specifications at  $T_A = 25^\circ\text{C}$ ,  $V_{DD} = V_{IO} = V_{CC} = V_{PA} = 3.3\text{ V}$ ,  $f_S = 8\text{ kHz to }48\text{ kHz}$ , system clock =  $256 f_S$  and 16-bit data, unless otherwise noted.

**Figure 5.**



**TYPICAL PERFORMANCE CURVES (continued)**

All specifications at  $T_A = 25^\circ\text{C}$ ,  $V_{DD} = V_{IO} = V_{CC} = V_{PA} = 3.3\text{ V}$ ,  $f_S = 44.1\text{ kHz}$ , system clock =  $256 f_S$  and 16-bit data, unless otherwise noted.

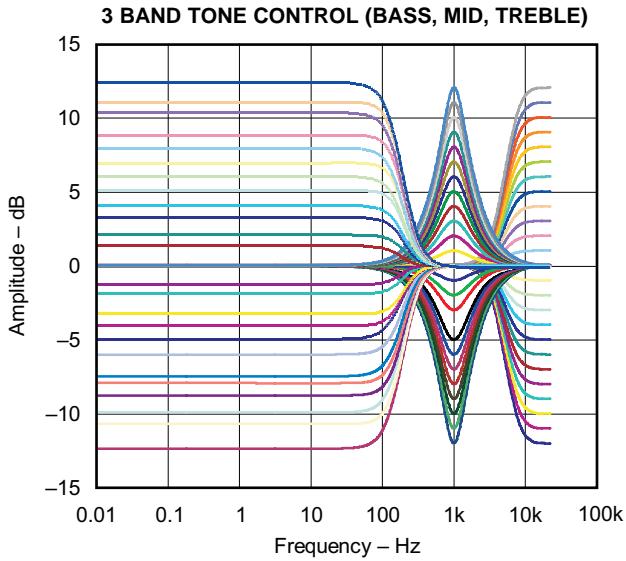


Figure 6.

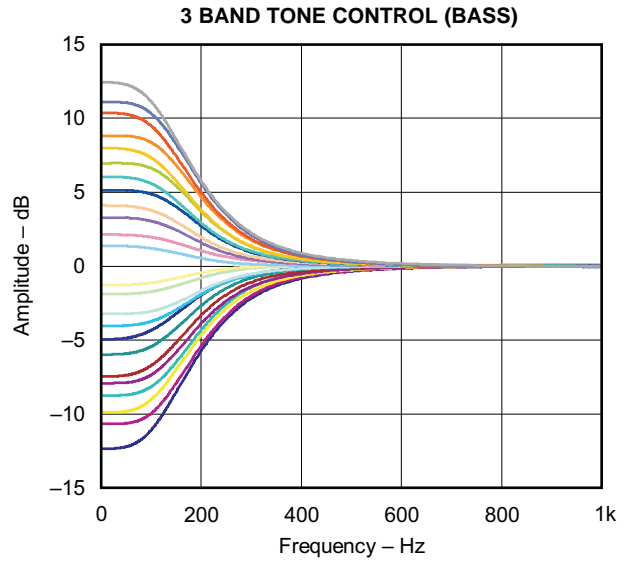


Figure 7.

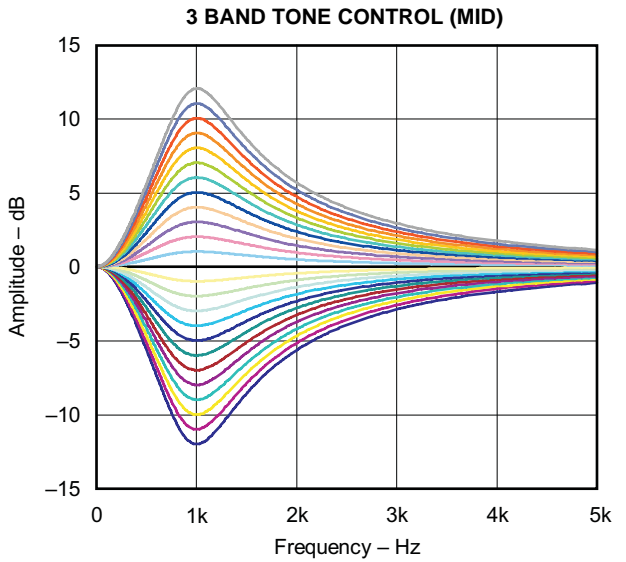


Figure 8.

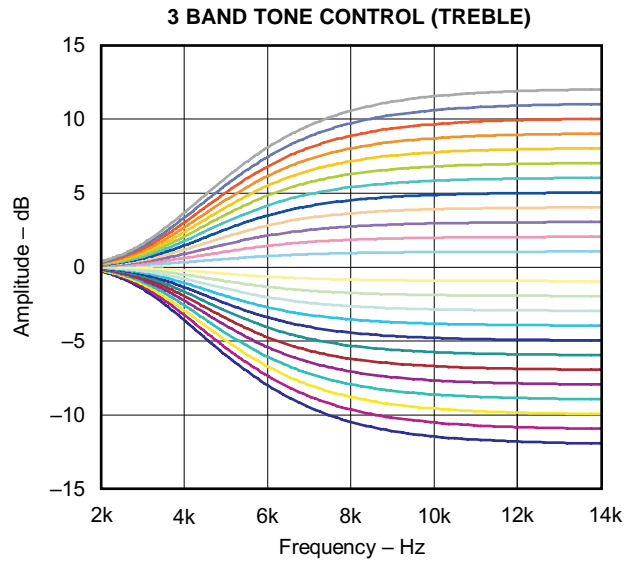


Figure 9.

**TYPICAL PERFORMANCE CURVES (continued)**

All specifications at  $T_A = 25^\circ\text{C}$ ,  $V_{DD} = V_{IO} = V_{CC} = V_{PA} = 3.3\text{ V}$ ,  $f_S = 48\text{ kHz}$ , system clock =  $256 f_S$  and 16-bit data, unless otherwise noted.

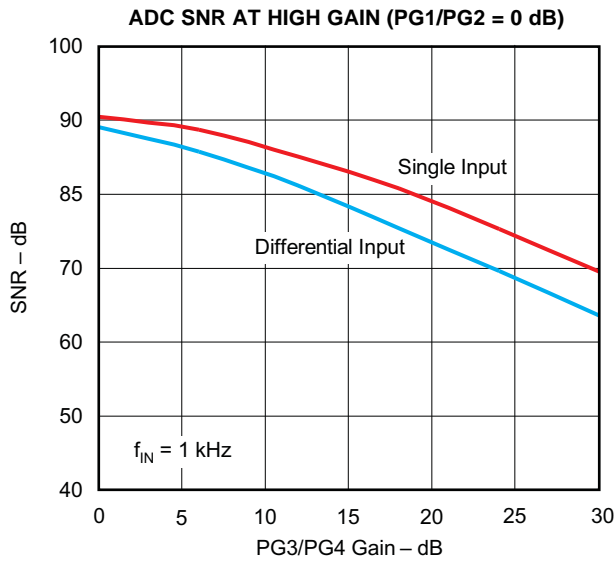


Figure 10.

G009

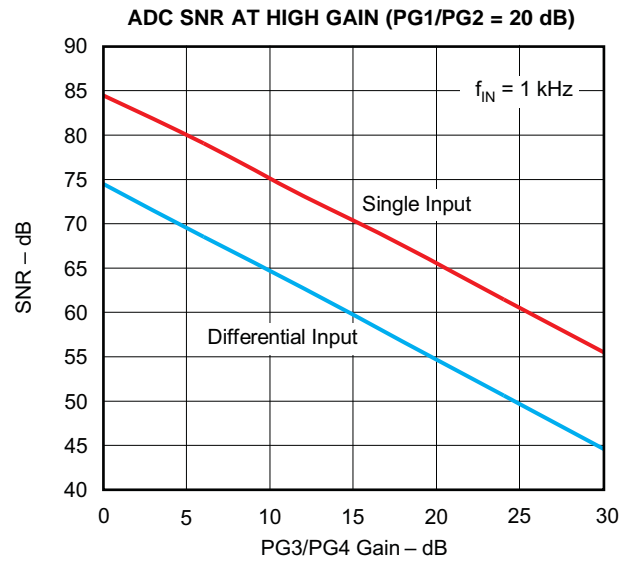


Figure 11.

G010

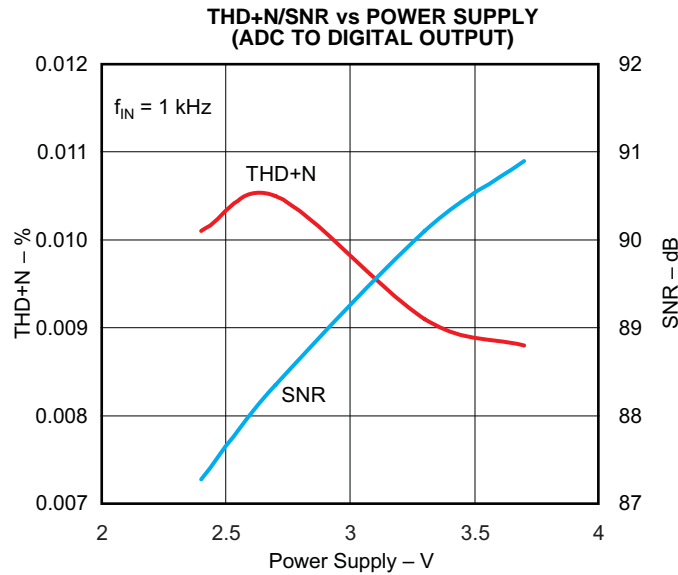


Figure 12.

G011

## PCM1870 DESCRIPTION

### Analog Input

The AIN1L, AIN1R, AIN2L and AIN2R pins can be used as microphone or line inputs with selectable 0- or 20-dB boost and 1-V<sub>rms</sub> input. All analog inputs have high input impedance (20 k $\Omega$ ), which is not changed by gain settings. One pair of inputs is selected by register 87 (AIL[1:0], AIR[1:0]). AIN1L and AIN1R can also be used as a monaural differential input.

### Gain Setting for Analog Input

Analog signals can be adjusted from 30 dB to –12 dB in 1-dB steps after the 0-, 12- or 20-dB boost amplifier. Gain level can be set for each channel by register 79, 80 (ALV[5:0], ARV[5:0]).

### A/D Converter

The ADC includes a multilevel delta-sigma modulator, aliasing filter, decimation filter, high-pass filter and notch filter and can accept 1 V<sub>rms</sub> as full-scale input voltage. The decimation filter has a digital soft mute controlled by register 81 (RMUL, RMUR), and the high-pass and notch filters can be disabled by register 81 (HPF[1:0]) and registers 96 through 104 if they are not needed to cancel dc offset or avoid wind noise.

### Common Voltage

Unbuffered common voltage. The V<sub>COM</sub> pin is normally biased to 0.5 V<sub>CC</sub>, and it provides common voltage to internal circuitry. Connecting a 4.7- $\mu$ F capacitor to this pin is recommended to optimize analog performance.

### Microphone Bias

The MICB pin is a microphone bias source for an external microphone, which can provide 2 mA (typ) bias current.

### Auto Level Control (ALC) for Recording

The sound when microphone recording should be adjusted to a suitable level without saturation. The digitally controlled auto level control (ALC) automatically expands small input signals and compresses large input signals while recording. Expansion level, compression level, attack time, and recovery time can be selected by register 83. See the bit descriptions of [register 83](#) for detailed settings.

### 3D Sound

A 3D sound effect is provided by mixing L-channel and R-channel data through a band-pass filter with two control parameters, mixing ratio and band-pass filter characteristic. The control parameters are set in register 95 (3DPP[3:0], 3FLO). The 3D sound effect is applied to the ADC digital output.

### 3-Band Tone Control

Tone control has bass, midrange, and treble controls that can be adjusted from 12 dB to –12 dB in 1-dB steps by register 92 to 94 (LGA[4:0], MGA[4:0] and HGA[4:0]). Register 92 (LPAE), which attenuates the digital input signal automatically, can prevent clipping of the output signal at settings higher than 0 dB for bass control. LPAE is not effective for midrange and treble control.

### High-Pass Filter and Notch Filter

The high-pass filter cuts dc offset in the analog section of the ADC and can be set to 4 Hz, 120 Hz, or 240 Hz at 48-kHz sampling by register 81 (HPF[1:0]).

Notch filters remove noise at particular frequencies, CCD noise, motor noise and other mechanical noise in an application. The PCM1870 has two notch filters, whose center frequency and frequency bandwidth can be programmed by registers 96 to 104.

### Digital Monaural Mixing

The audio data can be mixed to monaural digital data from stereo digital data in the internal audio interface section by register 96 (MXEN).

**Zero-Cross Detection**

Zero-cross detection minimizes audible zipper noise while changing analog volume and digital attenuation. This function can be applied to digital input or digital output by register 86 (ZCRS).

**Power Up/Down for Each Module**

Using register 73 (PBIS), register 82 (PAIR, PAIL, PADS, PMCB, PADR, PADL), and register 90 (PCOM), unused modules can be powered down to minimize power consumption (13 mW when recording only).

**Digital Interface**

All digital I/O pins can interface at various power supply voltages. The  $V_{IO}$  pin can be connected to a 1.71-V to 3.6-V power supply.

**Power Supply**

The  $V_{CC}$  pin can be connected to 2.4 V to 3.6 V. The  $V_{DD}$  pin and  $V_{IO}$  pin can be connected to 1.71 to 3.6 V. A different voltage can be applied to each of these pins (for example,  $V_{DD} = 1.8$  V,  $V_{IO} = 3.3$  V).

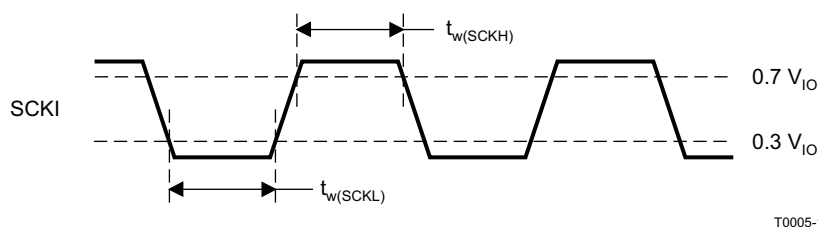
## DESCRIPTION OF OPERATION

### System Clock Input

The PCM1870 can accept input clocks of various frequencies without a PLL. The clocks are used for clocking of the digital filters, auto level control, and delta-sigma modulators, and classified into common-audio and application-specific clocks. Table 2 shows frequencies of the common audio clock and the application-specific clock. Figure 13 shows timing requirements for system clock inputs. The sampling rate and frequency of the system clock are determined by settings in register 86 (MSR[2:0]) and register 85 (NPR[5:0]). Note that the sampling rate of the application-specific clock has a little sampling error. The details are shown in Table 8.

**Table 2. Frequency of Common Audio Clock**

|                            | FREQUENCY  |
|----------------------------|--|
| Common audio clock         | 11.2896, 12.288, 16.9344, 18.432 MHz                   |
| Application-specific clock | 12, 13, 13.5, 24, 26, 27, 19.2, 19.68, 38.4, 39.36 MHz |



| PARAMETERS                        | SYMBOL             | MIN | UNIT |
|-----------------------------------|--------------------|-----|------|
| System clock pulse duration, high | $t_w(\text{SCKH})$ | 14  | ns   |
| System clock pulse duration, low  | $t_w(\text{SCKL})$ | 14  | ns   |

**Figure 13. System Clock Timing**

### Power-On Reset and System Reset

The power-on-reset circuit outputs reset signal, typically at  $V_{DD} = 1.2$  V, and this circuit does not depend on the voltage of other power-supplies ( $V_{CC}$ ,  $V_{PA}$ , and  $V_{IO}$ ). Internal circuits are cleared to default status, then signals are removed from all analog and digital outputs. The PCM1870 does not require any power supply sequencing. Register data must be written after turning all power supplies on.

System reset is enabled by setting register 85 (SRST), and all registers are cleared automatically. All circuits are reset to their default status at once. Note that the PCM1870 has audible pop noise on the analog outputs when enabling SRST.

### Power On/Off Sequence

To reduce audible pop noise, a sequence of register settings is required after turning all power supplies on when powering up, or before turning the power supplies off when powering down. If some modules are not required for a particular application or operation, they should be placed in the power-down state after performing the power-on sequence. The recommended power-on and power-off sequences are shown in Table 3 and Table 4, respectively.

**Table 3. Recommended Power-On Sequence**

| STEP | REGISTER SETTINGS | NOTE   |
|------|-------------------|--|
| 1    | —                 | Turn ON all power supplies <sup>(1)</sup>                          |
| 2    | 5102 <sub>H</sub> | ADC audio interface format (left-justified) <sup>(2)</sup>         |
| 3    | 5A00 <sub>H</sub> | PG1, PG2 gain control (0 dB)                                       |
| 4    | 4980 <sub>H</sub> | Analog bias power up   |
| 5    | 5601 <sub>H</sub> | Zero-cross detection enable  |
| 6    | 4A01 <sub>H</sub> | V <sub>COM</sub> power up  |
| 7    | 523F <sub>H</sub> | Analog front end (ADL, ADR, D2S, MCB, PG1, 2, 5, 6) power up       |
| 8    | 5711 <sub>H</sub> | Analog input (MUX3, MUX4) select. Analog input (MUX1, MUX2) select |
| 9    | 4F0C <sub>H</sub> | Analog input L-ch (PG3) volume (0 dB) <sup>(3)</sup>               |
| 10   | 500C <sub>H</sub> | Analog input R-ch (PG4) volume (0 dB) <sup>(3)</sup>               |

- (1) V<sub>DD</sub> should be turned on first or at the same time with other power supplies. It is recommended to set the register data after turning on all power supplies and while the system clock is running.
- (2) The audio interface format should be set to match the DSP or decoder being used.
- (3) Any level is acceptable for volume or attenuation. The level should return to that recorded in the register data when system was last powered off.

**Table 4. Recommended Power-Off Sequence**

| STEP | REGISTER SETTINGS | NOTE   |
|------|-------------------|--|
| 1    | 5132 <sub>H</sub> | ADC L-ch/R-ch digital soft mute enable, ADC audio interface format (left-justified) <sup>(1)</sup> |
| 2    | 5200 <sub>H</sub> | Analog front end (ADL, ADR, D2S, MCB, PG1, 2, 5, 6) power down                                     |
| 3    | 4A00 <sub>H</sub> | V <sub>COM</sub> power down  |
| 4    | 4900 <sub>H</sub> | Analog bias power down   |
| 5    | —                 | Turn OFF all power supplies. <sup>(2)</sup>  |

- (1) The audio interface format should be set to match the DSP or decoder being used.
- (2) Power-supply sequencing is not required. It is recommended to make the required register settings while the system clock is running, then turn off all power supplies.

## Power-Supply Current

The current consumption of the PCM1870 depends on the power-up/down status of each circuit module. In order to save power consumption, disabling each module is recommended when it is not used in an application or operation. [Table 5](#) shows current consumption in some states.

**Table 5. Power Consumption Table**

| OPERATION MODE  | POWER SUPPLY CURRENT [mA]  |                            |                            |                            | PD [mW]                            |                                    |
|---|----------------------------|----------------------------|----------------------------|----------------------------|------------------------------------|------------------------------------|
|   | V <sub>DD</sub><br>(1.8 V) | V <sub>DD</sub><br>(3.3 V) | V <sub>CC</sub><br>(3.3 V) | V <sub>IO</sub><br>(3.3 V) | TOTAL<br>(V <sub>DD</sub> = 1.8 V) | TOTAL<br>(V <sub>DD</sub> = 3.3 V) |
| <b>ALL POWER DOWN</b>   | 0.000                      | 0.000                      | 0.001                      | 0.000                      | 0.003                              | 0.003                              |
| <b>Recording (f<sub>S</sub> = 48 kHz)</b>                                     |                            |                            |                            |                            |                                    |                                    |
| Line input (AIN2L/AIN2R)  | 1.78                       | 3.71                       | 4.58                       | 0.10                       | 18.3                               | 27.7                               |
| Mic input (AIN1L/AIN1R, 20 dB)  | 1.79                       | 3.71                       | 5.06                       | 0.10                       | 19.9                               | 29.3                               |
| Mic input (AIN1L/AIN1R, 20 dB) with ALC                                       | 2.73                       | 5.59                       | 5.06                       | 0.10                       | 21.6                               | 35.5                               |
| Mono mic input (AIN1L, 20 dB)   | 1.33                       | 2.80                       | 3.56                       | 0.10                       | 14.1                               | 21.3                               |
| Mono mic input (AIN1L, 20 dB) with ALC  | 2.21                       | 4.60                       | 3.56                       | 0.10                       | 15.7                               | 27.3                               |
| Mono diff mic input (AIN1L/AIN1R, 20 dB)                                      | 1.33                       | 2.80                       | 3.88                       | 0.10                       | 15.2                               | 22.4                               |
| Mono diff mic input (AIN1L/AIN1R, 20 dB) with ALC                             | 2.21                       | 4.60                       | 3.88                       | 0.10                       | 16.8                               | 28.3                               |
| <b>Recording (f<sub>S</sub> = 22.05 kHz)</b>                                  |                            |                            |                            |                            |                                    |                                    |
| Line input (AIN2L/AIN2R)  | 0.82                       | 1.66                       | 3.71                       | 0.10                       | 13.7                               | 18.1                               |
| Mic input (AIN1L/AIN1R, 20 dB)  | 0.82                       | 1.66                       | 4.20                       | 0.10                       | 15.3                               | 19.7                               |
| Mic input (AIN1L/AIN1R, 20 dB) with ALC                                       | 1.26                       | 2.55                       | 4.20                       | 0.10                       | 16.1                               | 22.6                               |
| Mono mic input (AIN1L, 20 dB)   | 0.61                       | 1.23                       | 2.74                       | 0.10                       | 10.1                               | 13.4                               |
| Mono mic input (AIN1L, 20 dB) with ALC  | 1.03                       | 2.10                       | 2.74                       | 0.10                       | 10.9                               | 1.63                               |
| Mono diff mic input (AIN1L/AIN1R, 20 dB)                                      | 0.61                       | 1.23                       | 3.06                       | 0.10                       | 11.2                               | 14.5                               |
| Mono diff mic input (AIN1L/AIN1R, 20 dB) with ALC                             | 1.02                       | 2.08                       | 3.06                       | 0.10                       | 11.9                               | 17.3                               |
| <b>Recording (f<sub>S</sub> = 16 kHz)</b>                                     |                            |                            |                            |                            |                                    |                                    |
| Line input (AIN2L/AIN2R)  | 0.59                       | 1.18                       | 3.51                       | 0.10                       | 12.7                               | 15.8                               |
| Mic input (AIN1L/AIN1R, 20 dB)  | 0.59                       | 1.18                       | 3.99                       | 0.10                       | 14.2                               | 17.4                               |
| Mic input (AIN1L/AIN1R, 20 dB) with ALC                                       | 0.91                       | 1.85                       | 3.99                       | 0.10                       | 14.8                               | 19.6                               |
| Mono mic input (AIN1L, 20 dB)   | 0.44                       | 0.87                       | 2.55                       | 0.10                       | 9.2                                | 11.6                               |
| Mono mic input (AIN1L, 20 dB) with ALC  | 0.75                       | 1.52                       | 2.55                       | 0.10                       | 9.8                                | 13.8                               |
| Mono diff mic input (AIN1L/AIN1R, 20 dB)                                      | 0.44                       | 0.87                       | 2.87                       | 0.10                       | 10.3                               | 12.7                               |
| Mono diff mic input (AIN1L/AIN1R, 20 dB) with ALC                             | 0.74                       | 1.50                       | 2.87                       | 0.10                       | 10.8                               | 14.8                               |
| <b>Recording (f<sub>S</sub> = 8 kHz)</b>                                      |                            |                            |                            |                            |                                    |                                    |
| Line input (AIN2L/AIN2R)  | 0.29                       | 0.54                       | 3.23                       | 0.10                       | 11.2                               | 12.8                               |
| Mic input (AIN1L/AIN1R, 20 dB)  | 0.29                       | 0.54                       | 3.72                       | 0.10                       | 12.8                               | 14.4                               |
| Mic input (AIN1L/AIN1R, 20 dB) with ALC                                       | 0.46                       | 0.88                       | 3.72                       | 0.10                       | 13.1                               | 15.5                               |
| Mono mic input (AIN1L, 20 dB)   | 0.22                       | 0.39                       | 2.29                       | 0.10                       | 8.0                                | 9.2                                |
| Mono mic input (AIN1L, 20 dB) with ALC  | 0.37                       | 0.70                       | 2.29                       | 0.10                       | 8.2                                | 10.2                               |
| Mono diff mic input (AIN1L/AIN1R, 20 dB)                                      | 0.22                       | 0.39                       | 2.61                       | 0.10                       | 9.0                                | 10.2                               |
| Mono diff mic input (AIN1L/AIN1R, 20 dB) with ALC                             | 0.37                       | 0.70                       | 2.61                       | 0.10                       | 9.3                                | 11.3                               |
| Condition: 256 f <sub>S</sub> , 16 bits, slave mode, zero data input, no load |                            |                            |                            |                            |                                    |                                    |

## Audio Serial Interface

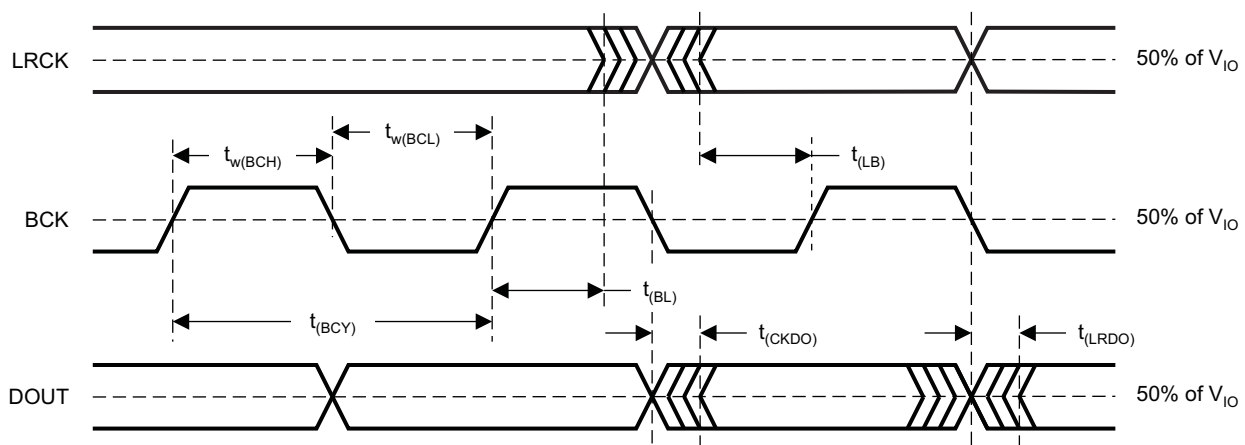
The audio serial interface of the PCM1870 consists of LRCK, BCK and DOUT. Sampling rate ( $f_s$ ), left and right channel are present on LRCK. DOUT transmits the serial data from the decimation filter for the ADC. BCK is used to transmit the serial audio data on DOUT at its high-to-low transition. BCK and LRCK should be synchronized with audio system clock. Ideally, it is recommended that they are derived from it.

The PCM1870 requires LRCK to be synchronized with the system clock. The PCM1870 do not need a specific phase relationship between LRCK and the system clock.

The PCM1870 has both master mode and slave mode interface formats, which can be selected by register 84 (MSTR). LRCK and BCK are generated from the system clock in master mode.

## Audio Data Formats and Timing

The PCM1870 supports I<sup>2</sup>S, right-justified, left-justified, and DSP formats. The data formats are shown in Figure 16, and they are selected using register 70 (RFM[1:0], PFM[1:0]). All formats require binary 2s-complement, MSB-first audio data. The default format is I<sup>2</sup>S. Figure 14 shows a detailed timing diagram.



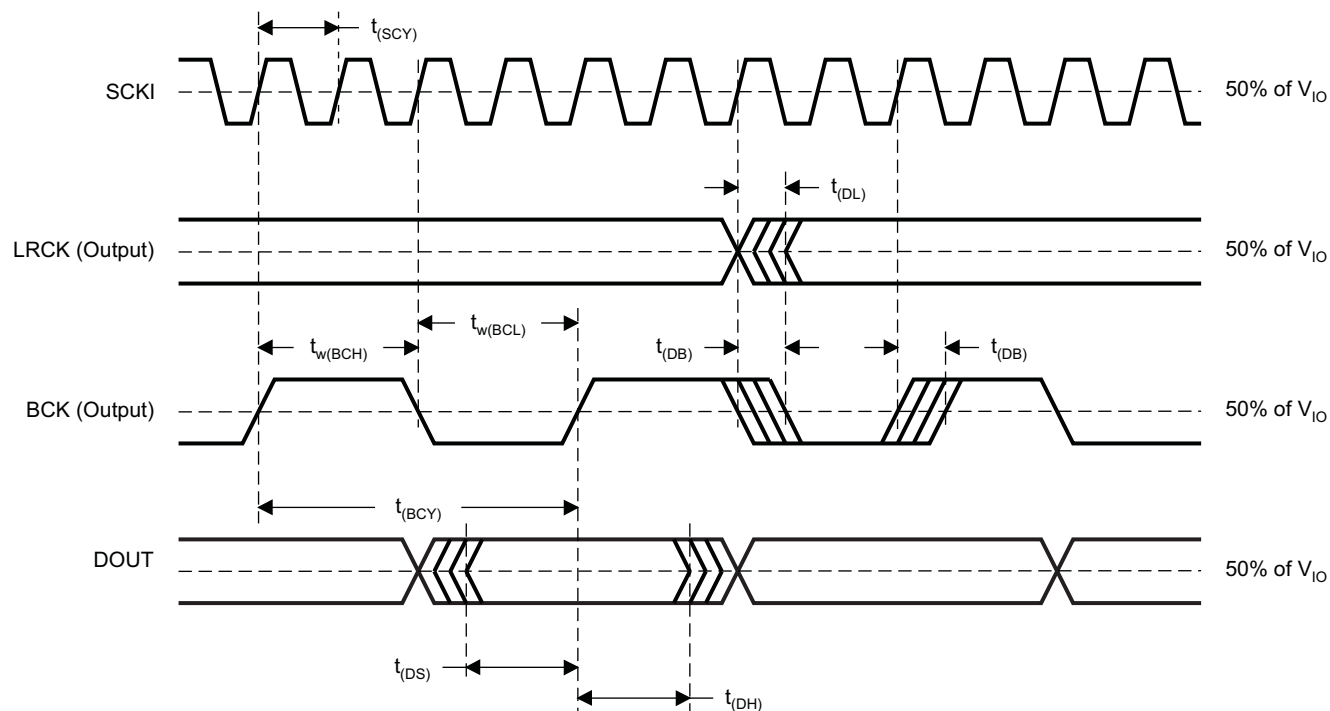
T0010-12

| PARAMETERS   | SYMBOL       | MIN                | MAX | UNIT |
|--|--------------|--------------------|-----|------|
| BCK pulse cycle time (I <sup>2</sup> S, left- and right-justified formats) | $t_{(BCY)}$  | $1/(64f_s)^{(1)}$  |     |      |
| BCK pulse cycle time (DSP format)  | $t_{(BCY)}$  | $1/(256f_s)^{(1)}$ |     |      |
| BCK high-level time  | $t_{w(BCH)}$ | 35                 |     | ns   |
| BCK low-level time   | $t_{w(BCL)}$ | 35                 |     | ns   |
| BCK rising edge to LRCK edge   | $t_{(BL)}$   | 10                 |     | ns   |
| LRCK edge to BCK rising edge   | $t_{(LB)}$   | 10                 |     | ns   |
| DOUT delay time from BCK falling edge                                      | $t_{(CKDO)}$ |                    | 40  | ns   |

(1)  $f_s$  is the sampling frequency.

**Figure 14. Audio Interface Timing (Slave Mode)**





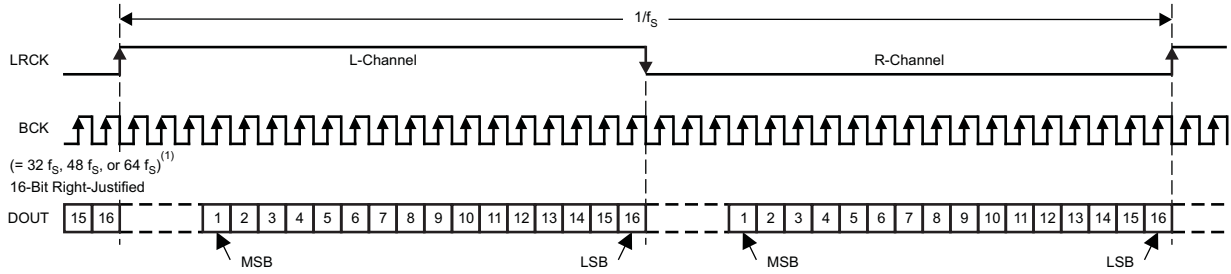
T0011-05

| PARAMETERS                      | SYMBOL       | MIN                | MAX | UNIT |
|---------------------------------|--------------|--------------------|-----|------|
| SCKI pulse cycle time           | $t_{(SCY)}$  | $1/(256f_S)^{(1)}$ |     |      |
| LRCK edge from SCKI rising edge | $t_{(DL)}$   | 5                  | 140 | ns   |
| BCK edge from SCKI rising edge  | $t_{(DB)}$   | 5                  | 140 | ns   |
| BCK pulse cycle time            | $t_{(BCY)}$  | $1/(64f_S)^{(1)}$  |     |      |
| BCK high-level time             | $t_{w(BCH)}$ | 146                |     | ns   |
| BCK low-level time              | $t_{w(BCL)}$ | 146                |     | ns   |
| DOUT setup time                 | $t_{(DS)}$   | 10                 |     | ns   |
| DOUT hold time                  | $t_{(DH)}$   | 10                 |     | ns   |

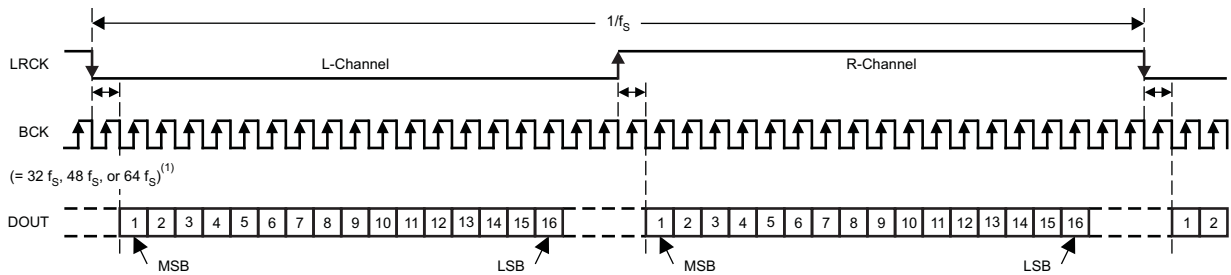
(1)  $f_S$  is up to 48 kHz.  $f_S$  is the sampling frequency

**Figure 15. Audio Interface Timing (Master Mode)**

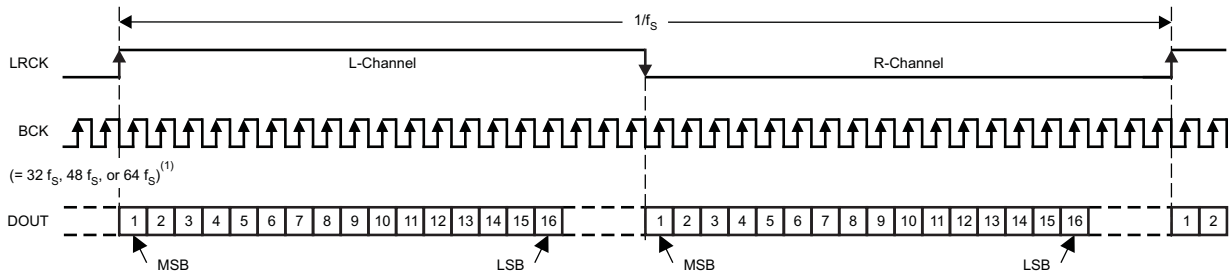
**(a) Right-Justified Data Format; L-Channel = HIGH, R-Channel = LOW**



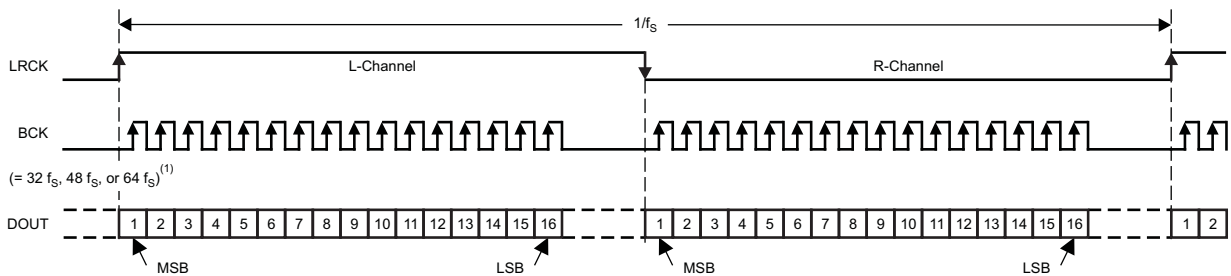
**(b) I<sup>2</sup>S Data Format; L-Channel = LOW, R-Channel = HIGH**



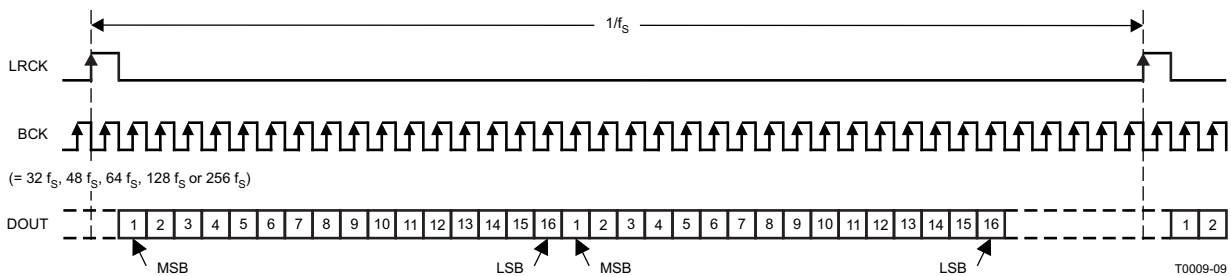
**(c) Left-Justified Data Format; L-Channel = HIGH, R-Channel = LOW**



**(d) Burst BCK Interface Format in Master Mode; L-Channel = HIGH, R-Channel = LOW**



**(e) DSP Format**



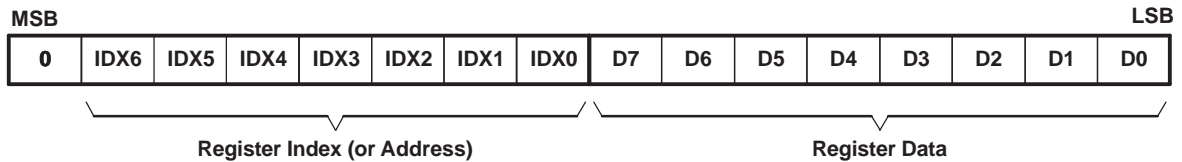
(1) All audio interface formats support BCK =  $64 f_s$  in master mode (register 69, MSTR = 1). When set to multisampling rate,  $f_s$  of BCK is set to half the rate of the DSM operation frequency.

**Figure 16. Audio Data Output Formats**

### THREE-WIRE INTERFACE (SPI, MODE (PIN 28) = LOW)

All write operations for the serial control port use 16-bit data words. Figure 17 shows the control data word format. The most significant bit must be 0. There are seven bits, labeled  $IDX[6:0]$ , that set the register address for the write operation. The least-significant eight bits,  $D[7:0]$ , contain the data to be written to the register specified by  $IDX[6:0]$ .

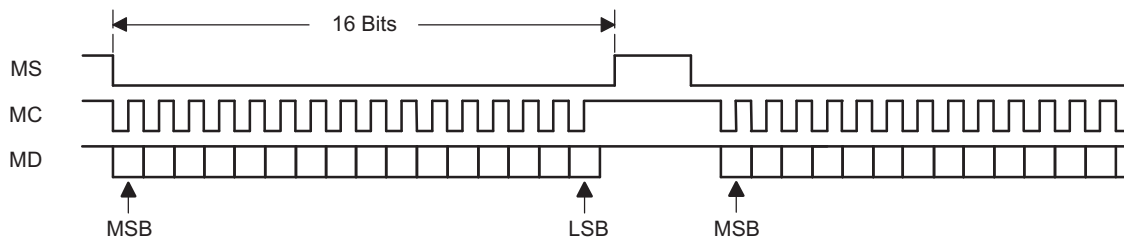
Figure 18 shows the functional timing diagram for writing to the serial control port. To write the data into the mode register, the data is clocked into an internal shift register on the rising edge of the MC clock. The serial data should change on the falling edge of the MC clock and should be LOW during write mode. The rising edge of MS should be aligned with the falling edge of the last MC clock pulse in the 16-bit frame. The MC can run continuously between transactions while MS is in the LOW state.



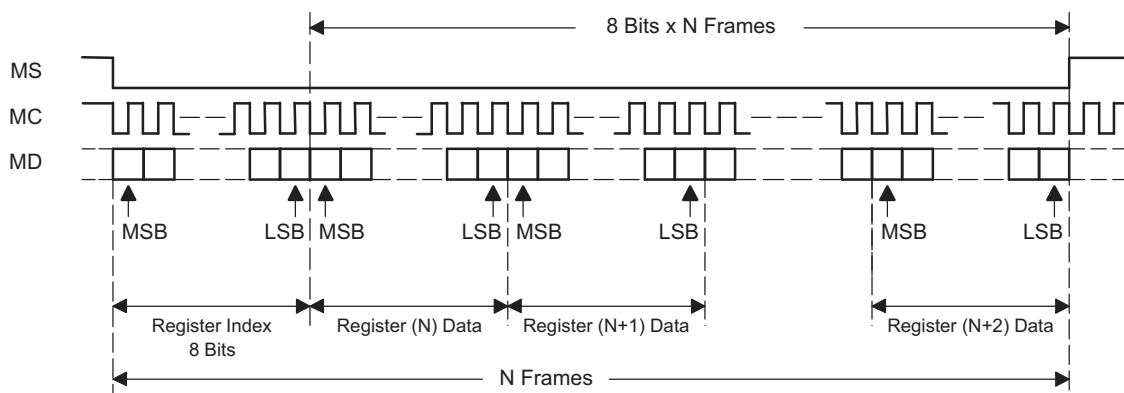
R0001-01

Figure 17. Control Data Word Format for MD

(1) Single Write Operation



(2) Continuous Write Operation

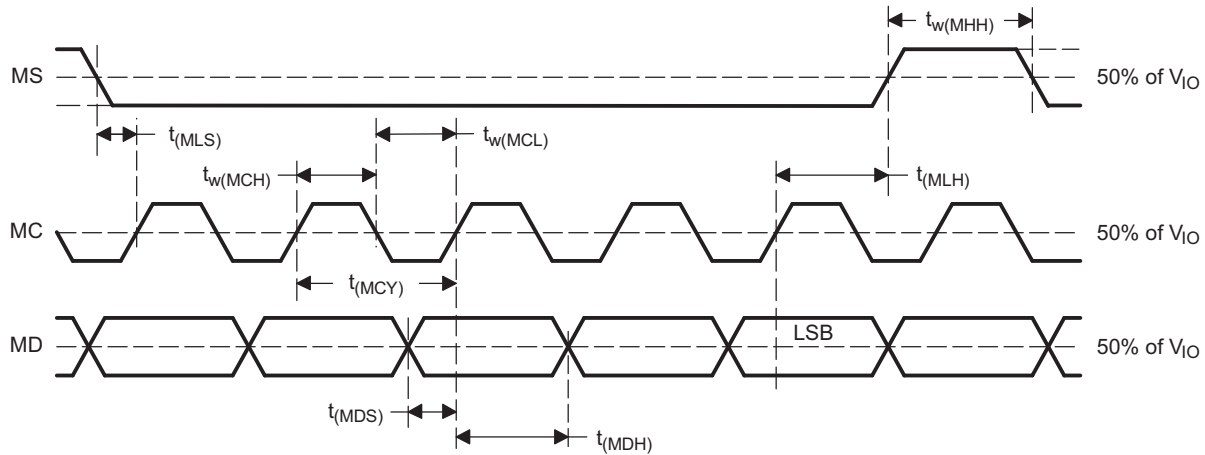


T0012-03

Figure 18. Register Write Operation

### Three-Wire Interface (SPI) Timing Requirements

Figure 19 shows a detailed timing diagram for the serial control interface. These timing parameters are critical for proper control port operation.



T0013-08

| PARAMETERS                        | SYMBOL             | MIN                | TYP | MAX | UNIT |
|-----------------------------------|--------------------|--------------------|-----|-----|------|
| MC pulse cycle time               | t <sub>(MCM)</sub> | 500 <sup>(1)</sup> |     |     | ns   |
| MC low-level time                 | t <sub>(MCL)</sub> | 50                 |     |     | ns   |
| MC high-level time                | t <sub>(MCH)</sub> | 50                 |     |     | ns   |
| MS high-level time                | t <sub>(MMH)</sub> | See <sup>(1)</sup> |     |     | ns   |
| MS falling edge to MC rising edge | t <sub>(MLS)</sub> | 50                 |     |     | ns   |
| MS hold time                      | t <sub>(MLH)</sub> | 20                 |     |     | ns   |
| MD hold time                      | t <sub>(MDH)</sub> | 15                 |     |     | ns   |
| MD setup time                     | t <sub>(MDS)</sub> | 20                 |     |     | ns   |

(1) 3/(128 f<sub>S</sub>) s (min), where f<sub>S</sub> is the sampling frequency

Figure 19. SPI Interface Timing

## TWO-WIRE INTERFACE [I<sup>2</sup>C, MODE (PIN 28) = HIGH]

The PCM1870 supports the I<sup>2</sup>C serial bus and the data transmission protocol for the I<sup>2</sup>C standard as a slave device. This protocol is explained in I<sup>2</sup>C specification 2.0.

In I<sup>2</sup>C mode, the control terminals are changed as follows.

| TERMINAL NAME | PROPERTY     | DESCRIPTION              |
|---------------|--------------|--------------------------|
| MS/ADR        | Input        | I <sup>2</sup> C address |
| MD/SDA        | Input/output | I <sup>2</sup> C data    |
| MC/SCL        | Input        | I <sup>2</sup> C clock   |

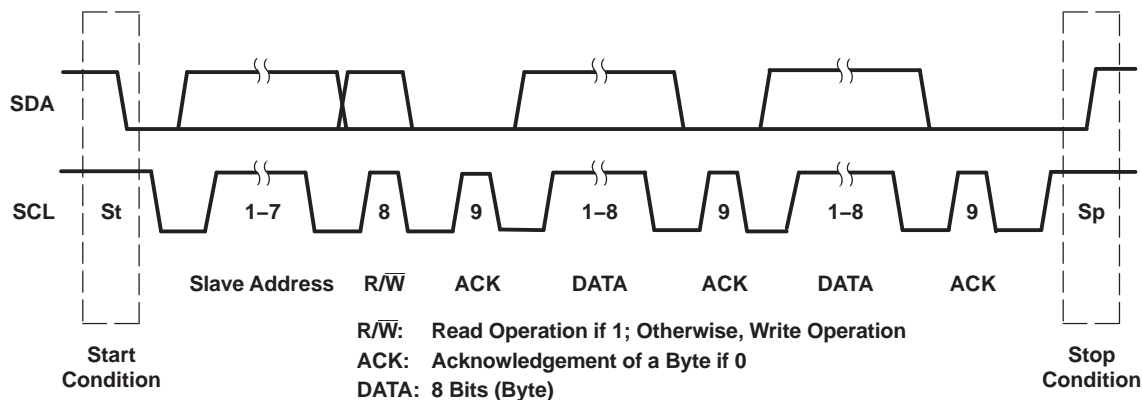
### Slave Address

| MSB |   |   |   |   |   | LSB |     |
|-----|---|---|---|---|---|-----|-----|
| 1   | 0 | 0 | 0 | 1 | 1 | ADR | R/W |

The PCM1870 has its 7-bit slave address. The first six bits (MSBs) of the slave address are factory preset to 1000 11. The next bit of the address byte is the device select bit, which can be user-defined by ADR terminal. A maximum of two PCM1870s can be connected on the same bus at one time. Each PCM1870 responds when it receives its own slave address.

### Packet Protocol

A master device must control packet protocol, which is start condition, slave address with read/write bit, data if write or acknowledgement if read, and stop condition. The PCM1870 supports only slave-receiver and slave-transmitter.



### Write Operation

|             |    |               |     |     |      |     |      |     |    |
|-------------|----|---------------|-----|-----|------|-----|------|-----|----|
| Transmitter | M  | M             | M   | S   | M    | S   | M    | S   | M  |
| Data Type   | St | Slave Address | R/W | ACK | DATA | ACK | DATA | ACK | Sp |

### Read Operation

|             |    |               |     |     |      |     |      |      |    |
|-------------|----|---------------|-----|-----|------|-----|------|------|----|
| Transmitter | M  | M             | M   | S   | S    | M   | S    | M    | M  |
| Data Type   | St | Slave Address | R/W | ACK | DATA | ACK | DATA | NACK | Sp |

*M:* Master Device      *S:* Slave Device  
*St:* Start Condition    *Sp:* Stop Condition

T0049-03

Figure 20. Basic I<sup>2</sup>C Framework

### Write Operation

A master can write any PCM1870 registers using single access. The master sends a PCM1870 slave address with a write bit, a register address, and the data. When undefined registers are accessed, the PCM1870 does not send an acknowledgement. The [Figure 21](#) shows a diagram of the write operation.

|             |    |               |           |     |             |     |            |     |    |
|-------------|----|---------------|-----------|-----|-------------|-----|------------|-----|----|
| Transmitter | M  | M             | M         | S   | M           | S   | M          | S   | M  |
| Data Type   | St | Slave Address | $\bar{W}$ | ACK | Reg Address | ACK | Write Data | ACK | Sp |

M: Master Device S: Slave Device

St: Start Condition  $\bar{W}$ : Write ACK: Acknowledge Sp: Stop Condition

R0002-01

**Figure 21. Framework for Write Operation**

### Read Operation

A master can read the PCM1870 register. The value of the register address is stored in an indirect index register in advance. The master sends a PCM1870 slave address with a read bit after storing the register address. Then the PCM1870 transfers the data which the index register points to. [Figure 22](#) shows a diagram of the read operation.

|             |    |               |           |     |             |     |    |               |   |     |           |      |    |
|-------------|----|---------------|-----------|-----|-------------|-----|----|---------------|---|-----|-----------|------|----|
| Transmitter | M  | M             | M         | S   | M           | S   | M  | M             | S | S   | M         | M    |    |
| Data Type   | St | Slave Address | $\bar{W}$ | ACK | Reg Address | ACK | Sr | Slave Address | R | ACK | Read Data | NACK | Sp |

M: Master Device S: Slave Device St: Start Condition

Sr: Repeated Start Condition ACK: Acknowledge Sp: Stop Condition NACK: Not Acknowledge

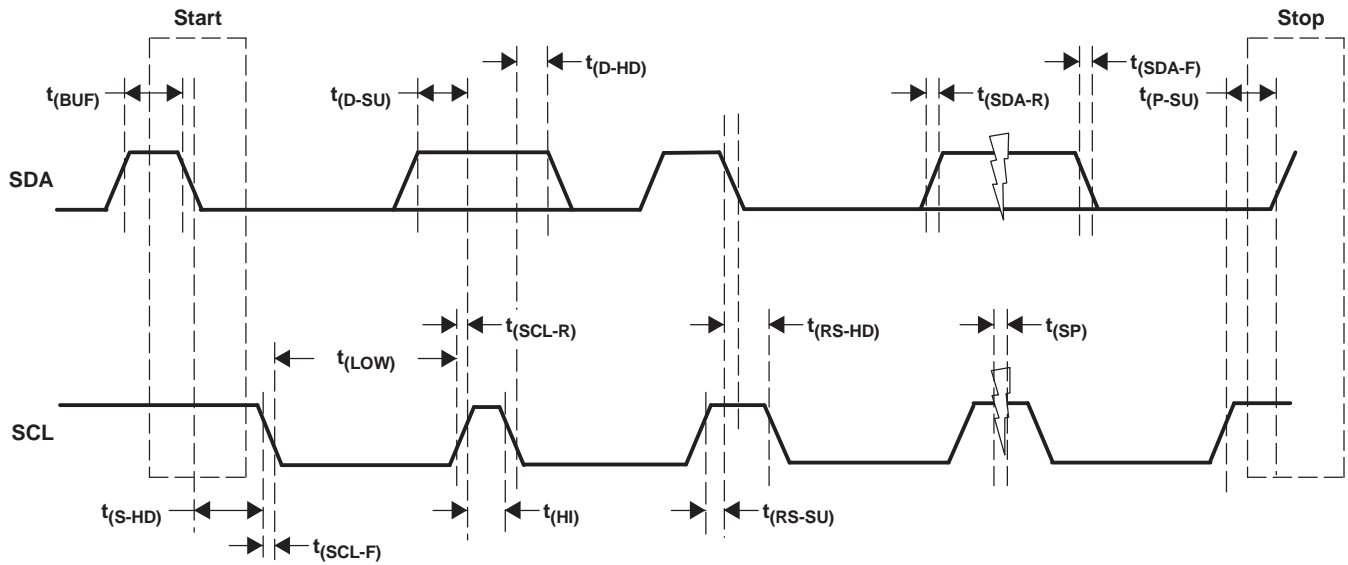
$\bar{W}$ : Write R: Read

R0002-02

NOTE: The slave address after the repeated start condition must be the same as the previous slave address.

**Figure 22. Read Operation**

## Timing Diagram



T0050-03

| TIMING CHARACTERISTICS |  |            |                |      |         |
|------------------------|--|------------|----------------|------|---------|
| SYMBOL                 | PARAMETER  | CONDITIONS | MIN            | MAX  | UNIT    |
| $f_{SCL}$              | SCL clock frequency                              | Standard   |                | 100  | kHz     |
| $t_{(BUF)}$            | Bus free time between a STOP and START condition | Standard   | 4.7            |      | $\mu$ s |
| $t_{(LOW)}$            | Low period of the SCL clock                      | Standard   | 4.7            |      | $\mu$ s |
| $t_{(HI)}$             | High period of the SCL clock                     | Standard   | 4              |      | $\mu$ s |
| $t_{(RS-SU)}$          | Setup time for START condition                   | Standard   | 4.7            |      | $\mu$ s |
| $t_{(S-HD)}$           | Hold time for START condition                    | Standard   | 4              |      | $\mu$ s |
| $t_{(D-SU)}$           | Data setup time                                  | Standard   | 250            |      | ns      |
| $t_{(D-HD)}$           | Data hold time                                   | Standard   | 0              | 900  | ns      |
| $t_{(SCL-R)}$          | Rise time of SCL signal                          | Standard   | $20 + 0.1 C_B$ | 1000 | ns      |
| $t_{(SCL-F)}$          | Fall time of SCL signal                          | Standard   | $20 + 0.1 C_B$ | 1000 | ns      |
| $t_{(SDA-R)}$          | Rise time of SDA signal                          | Standard   | $20 + 0.1 C_B$ | 1000 | ns      |
| $t_{(SDA-F)}$          | Fall time of SDA signal                          | Standard   | $20 + 0.1 C_B$ | 1000 | ns      |
| $t_{(P-SU)}$           | Setup time for STOP condition                    | Standard   | 4              |      | $\mu$ s |
| $C_B$                  | Capacitive load for SDA and SCL line             |            |                | 400  | pF      |
| $t_{(SP)}$             | Pulse duration of spike suppressed               |            |                | 25   | ns      |

Figure 23. I<sup>2</sup>C Interface Timing

## USER-PROGRAMMABLE MODE CONTROLS

### Register Map

The mode control register map is shown in [Table 6](#). Each register includes an index (or address) indicated by the  $IDX[6:0]$  bits.

**Table 6. Mode Control Register Map**

| REGISTER     | IDX [6:0]<br>(B14–B8) | DESCRIPTION                                       | B7   | B6   | B5   | B4   | B3   | B2   | B1   | B0   |
|--------------|-----------------------|---|------|------|------|------|------|------|------|------|
| Register 73  | 49h                   | Analog bias power up/down                         | PBIS | RSV  | RSV  | RSV  | RSV  | RSV  | RSV  | RSV  |
| Register 74  | 4Ah                   | $V_{COM}$ power up/down                           | RSV  | RSV  | RSV  | RSV  | RSV  | RSV  | RSV  | PCOM |
| Register 79  | 4Fh                   | Volume for ADC input (L-ch)                       | RSV  | RSV  | ALV5 | ALV4 | ALV3 | ALV2 | ALV1 | ALV0 |
| Register 80  | 50h                   | Volume for ADC input (R-ch)                       | RSV  | RSV  | ARV5 | ARV4 | ARV3 | ARV2 | ARV1 | ARV0 |
| Register 81  | 51h                   | ADC high pass-filter, soft mute, audio interface  | HPF1 | HPF0 | RMUL | RMUR | RSV  | DSMC | RFM1 | RFM0 |
| Register 82  | 52h                   | ADC, MCB, PG1, 2, 5, 6, D2S power up/down         | RSV  | RSV  | PAIR | PAIL | PADS | PMCB | PADR | PADL |
| Register 83  | 53h                   | Auto level control for recording                  | RALC | RSV  | RRTC | RATC | RCP1 | RCP0 | RLV1 | RLV0 |
| Register 84  | 54h                   | Master mode                                       | RSV  | RSV  | RSV  | RSV  | RSV  | MSTR | RSV  | BIT0 |
| Register 85  | 55h                   | System reset, sampling rate control               | SRST | RSV  | NPR5 | NPR4 | NPR3 | NPR2 | NPR1 | NPR0 |
| Register 86  | 56h                   | BCK config, master mode, zero cross               | MBST | MSR2 | MSR1 | MSR0 | RSV  | RSV  | RSV  | ZCRS |
| Register 87  | 57h                   | Analog input select (MUX1, 2, 3, 4)               | AD2S | RSV  | AIR1 | AIR0 | RSV  | RSV  | AIL1 | AIL0 |
| Register 90  | 5Ah                   | $V_{COM}$ power up/down, ramp up/down time, boost | RSV  | RSV  | RSV  | RSV  | RSV  | RSV  | G20R | G20L |
| Register 92  | 5Ch                   | Bass boost gain level (200 Hz)                    | LPAE | RSV  | RSV  | LGA4 | LGA3 | LGA2 | LGA1 | LGA0 |
| Register 93  | 5Dh                   | Middle boost gain level (1 kHz)                   | RSV  | RSV  | RSV  | MGA4 | MGA3 | MGA2 | MGA1 | MGA0 |
| Register 94  | 5Eh                   | Treble boost gain level (5 kHz)                   | RSV  | RSV  | RSV  | HGA4 | HGA3 | HGA2 | HGA1 | HGA0 |
| Register 95  | 5Fh                   | Sound effect source select, 3D sound              | RSV  | 3DEN | RSV  | 3FL0 | 3DP3 | 3DP2 | 3DP1 | 3DP0 |
| Register 96  | 60h                   | 2-stage notch filter, digital monaural mixing     | NEN2 | NEN1 | NUP2 | NUP1 | RSV  | RSV  | RSV  | MXEN |
| Register 97  | 61h                   | 1st-stage notch filter lower coefficient (a1)     | F107 | F106 | F105 | F104 | F103 | F102 | F101 | F100 |
| Register 98  | 62h                   | 1st-stage notch filter upper coefficient (a1)     | F115 | F114 | F113 | F112 | F111 | F110 | F109 | F108 |
| Register 99  | 63h                   | 1st-stage notch filter lower coefficient (a2)     | F207 | F206 | F205 | F204 | F203 | F202 | F201 | F200 |
| Register 100 | 64h                   | 1st-stage notch filter upper coefficient (a2)     | F215 | F214 | F213 | F212 | F211 | F210 | F209 | F208 |
| Register 101 | 65h                   | 2nd-stage notch filter lower coefficient (a1)     | S107 | S106 | S105 | S104 | S103 | S102 | S101 | S100 |
| Register 102 | 66h                   | 2nd-stage notch filter upper coefficient (a1)     | S115 | S114 | S113 | S112 | S111 | S110 | S109 | S108 |
| Register 103 | 67h                   | 2nd-stage notch filter lower coefficient (a2)     | S207 | S206 | S205 | S204 | S203 | S202 | S201 | S200 |
| Register 104 | 68h                   | 2nd-stage notch filter upper coefficient (a2)     | S215 | S214 | S213 | S212 | S211 | S210 | S209 | S208 |
| Register 124 | 7Ch                   | Mic boost   | RSV  | RSV  | RSV  | RSV  | RSV  | RSV  | G12R | G12L |

ADC: A/D converter    MCB: Microphone bias  
PGx: Analog input buffer    D2S: Differential to single-ended amplifier



**Register 73**

|             | B15 | B14  | B13  | B12  | B11  | B10  | B9   | B8   | B7   | B6  | B5  | B4  | B3  | B2  | B1  | B0  |
|-------------|-----|------|------|------|------|------|------|------|------|-----|-----|-----|-----|-----|-----|-----|
| Register 73 | 0   | IDX6 | IDX5 | IDX4 | IDX3 | IDX2 | IDX1 | IDX0 | PBIS | RSV | RSV | RSV | RSV | RSV | RSV | RSV |

**IDX[6:0]:** 100 1001b (49h) Register 73

**PBIS: Power Up/Down Control for Bias**

Default value: 0

This bit is used to control power up/down for the analog bias circuit.

|          |                      |
|----------|----------------------|
| PBIS = 0 | Power down (default) |
| PBIS = 1 | Power up             |

**Register 74**

|             | B15 | B14  | B13  | B12  | B11  | B10  | B9   | B8   | B7  | B6  | B5  | B4  | B3  | B2  | B1  | B0   |
|-------------|-----|------|------|------|------|------|------|------|-----|-----|-----|-----|-----|-----|-----|------|
| Register 74 | 0   | IDX6 | IDX5 | IDX4 | IDX3 | IDX2 | IDX1 | IDX0 | RSV | RSV | RSV | RSV | RSV | RSV | RSV | PCOM |

**IDX[6:0]:** 100 1010b (4Ah) Register 74

**PCOM: Power Up/Down Control for  $V_{COM}$**

Default value: 0

This bit is used to control power up/down for  $V_{COM}$ .

|          |                      |
|----------|----------------------|
| PCOM = 0 | Power down (default) |
| PCOM = 1 | Power up             |

**Register 79 and 80**

|             | B15 | B14  | B13  | B12  | B11  | B10  | B9   | B8   | B7  | B6  | B5   | B4   | B3   | B2   | B1   | B0   |
|-------------|-----|------|------|------|------|------|------|------|-----|-----|------|------|------|------|------|------|
| Register 79 | 0   | IDX6 | IDX5 | IDX4 | IDX3 | IDX2 | IDX1 | IDX0 | RSV | RSV | ALV5 | ALV4 | ALV3 | ALV2 | ALV1 | ALV0 |
| Register 80 | 0   | IDX6 | IDX5 | IDX4 | IDX3 | IDX2 | IDX1 | IDX0 | RSV | RSV | ARV5 | ARV4 | ARV3 | AR2  | ARV1 | ARV0 |

**IDX[6:0]:** 100 1111b (4Fh) Register 79

**IDX[6:0]:** 101 0000b (50h) Register 80

**ALV[5:0]:** Gain Control for PG3 (ADC Analog Input R-Channel)

**ARV[5:0]:** Gain Control for PG4 (ADC Analog Input L-Channel)

Default value: 00

PG3 and PG4 can be independently controlled for ADC input from 30 dB to –12 dB in 1-dB steps. ADC output may have zipper noise when changing levels. In the PCM1870, the noise can be reduced when making the change by using zero-cross detection (Register 85, ZCRS).

**Table 7. Gain Level Setting**

| ALV[5:0], ARV[5:0] |     | GAIN LEVEL SETTING | ALV[5:0], ARV[5:0] |     | GAIN LEVEL SETTING |
|--------------------|-----|--------------------|--------------------|-----|--------------------|
| BINARY             | HEX |                    | BINARY             | HEX |                    |
| 10 1010            | 2A  | 30 dB              | 01 0100            | 14  | 8 dB               |
| 10 1001            | 29  | 29 dB              | 01 0011            | 13  | 7 dB               |
| 10 1000            | 28  | 28 dB              | 01 0010            | 12  | 6 dB               |
| 10 0111            | 27  | 27 dB              | 01 0001            | 11  | 5 dB               |
| 10 0110            | 26  | 26 dB              | 01 0000            | 10  | 4 dB               |
| 10 0101            | 25  | 25 dB              | 00 1111            | 0F  | 3 dB               |
| 10 0100            | 24  | 24 dB              | 00 1110            | 0E  | 2 dB               |
| 10 0011            | 23  | 23 dB              | 00 1101            | 0D  | 1 dB               |
| 10 0010            | 22  | 22 dB              | 00 1100            | 0C  | 0 dB               |
| 10 0001            | 21  | 21 dB              | 00 1011            | 0B  | –1 dB              |
| 10 0000            | 20  | 20 dB              | 00 1010            | 0A  | –2 dB              |
| 01 1111            | 1F  | 19 dB              | 00 1001            | 09  | –3 dB              |
| 01 1110            | 1E  | 18 dB              | 00 1000            | 08  | –4 dB              |
| 01 1101            | 1D  | 17 dB              | 00 0111            | 07  | –5 dB              |
| 01 1100            | 1C  | 16 dB              | 00 0110            | 06  | –6 dB              |
| 01 1011            | 1B  | 15 dB              | 00 0101            | 05  | –7 dB              |
| 01 1010            | 1A  | 14 dB              | 00 0100            | 04  | –8 dB              |
| 01 1001            | 19  | 13 dB              | 00 0011            | 03  | –9 dB              |
| 01 1000            | 18  | 12 dB              | 00 0010            | 02  | –10 dB             |
| 01 0111            | 17  | 11 dB              | 00 0001            | 01  | –11 dB             |
| 01 0110            | 16  | 10 dB              | 00 0000            | 00  | –12 dB (default)   |
| 01 0101            | 15  | 9 dB               |                    |     |                    |

**Register 81**

|             | B15 | B14  | B13  | B12  | B11  | B10  | B9   | B8   | B7   | B6   | B5   | B4   | B3  | B2   | B1   | B0   |
|-------------|-----|------|------|------|------|------|------|------|------|------|------|------|-----|------|------|------|
| Register 81 | 0   | IDX6 | IDX5 | IDX4 | IDX3 | IDX2 | IDX1 | IDX0 | HPF1 | HPF0 | RMUL | RMUR | RSV | DSMC | RFM1 | RFM0 |

**IDX[6:0]:** 101 0001b (51h) Register 81

**HPF[1:0]: High-Pass Filter Selection**

Default value: 00

The PCM1870 has a digital high-pass filter to remove dc voltage at the input of the ADC. The cutoff frequency of the high-pass filter can be selected.

| HPF[1:0] | High Pass Filter Selection       |
|----------|----------------------------------|
| 0 0      | $f_c = 4$ Hz at 48 kHz (default) |
| 0 1      | $f_c = 240$ Hz at 48 kHz         |
| 1 0      | $f_c = 120$ Hz at 48 kHz         |
| 1 1      | High-pass filter disabled        |

**RMUL: Digital Soft Mute Control for ADC L-Channel**

**RMUR: Digital Soft Mute Control for ADC R-Channel**

Default value: 1

The digital output of the ADC can be independently muted or unmuted. The transition from the current volume level to mute, or the return to the previous volume setting from mute, occurs at the rate of one 1-dB step for each  $8/f_s$  time period. When RMUL and RMUR = 0, the digital data is increased from mute to the previous attenuation level, and when RMUL and RMUR = 1, the digital data is decreased from the current attenuation level to mute. In the PCM1870, audible zipper noise can be reduced by using zero-cross detection (register 85, ZCRS).

|                |                        |
|----------------|------------------------|
| RMUL, RMUR = 0 | Mute disabled          |
| RMUL, RMUR = 1 | Mute enabled (default) |

**DSMC: Waiting Time Turn ADC Mute Off at Power Up**

Default value: 0

ADC digital output has waiting time at power up when DSMC = 0. It is recommended to set DSMC = 0.

|          |                           |
|----------|---------------------------|
| DSMC = 0 | 10 ms at 48 kHz (default) |
| DSMC = 1 | No wait                   |

**RFM[1:0]: Audio Interface Selection for ADC (Digital Output)**

Default value: 00

The audio interface format for ADC digital output has I<sup>2</sup>S, right-justified, left-justified, and DSP formats.

| RFM[1:0] | Audio Interface Selection for ADC Digital Output |
|----------|--|
| 0 0      | I <sup>2</sup> S (default)                       |
| 0 1      | Right-justified                                  |
| 1 0      | Left-justified                                   |
| 1 1      | DSP mode   |

**Register 82**

|             | B15 | B14  | B13  | B12  | B11  | B10  | B9   | B8   | B7  | B6  | B5   | B4   | B3   | B2   | B1   | B0   |
|-------------|-----|------|------|------|------|------|------|------|-----|-----|------|------|------|------|------|------|
| Register 82 | 0   | IDX6 | IDX5 | IDX4 | IDX3 | IDX2 | IDX1 | IDX0 | RSV | RSV | PAIR | PAIL | PADS | PMCB | PADR | PADL |

**IDX[6:0]:** 101 0010b (52h) Register 82

**PAIR: Power Up/Down for PG2 and PG6 (Gain Amplifier for Analog Input R-Channel)**

**PAIR: Power Up/Down for PG1 and PG5 (Gain Amplifier for Analog Input L-Channel)**

Default value: 0

This bit is used to control power up/down for PG1, -2 and PG5, -6 (gain amplifier for analog input).

|                |                      |
|----------------|----------------------|
| PAIR, PAIL = 0 | Power down (default) |
| PAIR, PAIL = 1 | Power up             |

**PADS: Power Up/Down for D2S (Differential Amplifier) of AIN1L and AIN1R**

Default value: 0

This bit is used to control power up/down for D2S (differential-to-single amplifier).

|          |                      |
|----------|----------------------|
| PADS = 0 | Power down (default) |
| PADS = 1 | Power up             |

**PMCB: Power Up/Down Control for Microphone Bias Source**

Default value: 0

This bit is used to control power up/down for the microphone bias source.

|          |                      |
|----------|----------------------|
| PMCB = 0 | Power down (default) |
| PMCB = 1 | Power up             |

**PADR: Power Up/Down Control for ADR (ADC and Digital Filter R-Channel)**

**PADL: Power Up/Down Control for ADL (ADC and Digital Filter L-Channel)**

Default value: 0

This bit is used to control power up/down for the ADC and decimation filter.

|                |                      |
|----------------|----------------------|
| PADR, PADL = 0 | Power down (default) |
| PADR, PADL = 1 | Power up             |

## Register 83

|             | B15 | B14  | B13  | B12  | B11  | B10  | B9   | B8   | B7   | B6  | B5   | B4   | B3   | B2   | B1   | B0   |
|-------------|-----|------|------|------|------|------|------|------|------|-----|------|------|------|------|------|------|
| Register 83 | 0   | IDX6 | IDX5 | IDX4 | IDX3 | IDX2 | IDX1 | IDX0 | RALC | RSV | RRTC | RATC | RCP1 | RCP0 | RLV1 | RLV0 |

**IDX[6:0]:** 1010011b (53h) Register 83

### RALC: Automatic Level Control (ALC) Enable for Recording

Default value: 0

Auto level control can be enabled with some parameters for microphone input or lower-level analog source.

|          |                    |
|----------|--------------------|
| RALC = 0 | Disabled (default) |
| RALC = 1 | Enabled            |

### RRTC: ALC Recovery Time Control for Recording

Default value: 0

This bit selects the time during which a gain level change completes to compress the signal when the input to the ADC increases in amplitude.

|          |                 |
|----------|-----------------|
| RRTC = 0 | 3.4 s (default) |
| RRTC = 1 | 13.6 s          |

### RATC: ALC Attack Time Control for Recording

Default value: 0

This bit selects the time during which a gain level change completes to expand the signal when the input to the ADC decreases in amplitude.

|          |                |
|----------|----------------|
| RATC = 0 | 1 ms (default) |
| RATC = 1 | 2 ms           |

### RCP[1:0]: ALC Compression Level Control for Recording

Default value: 00

Auto level control can set the compression level to –2, –6, or –12 dB. Higher-level signals should be compressed to avoid saturation or degradation of sound quality.

| RCP[1:0] | ALC Compression Level Control for Recording |
|----------|---|
| 0 0      | –2 dB (default)                             |
| 0 1      | –6 dB                                       |
| 1 0      | –12 dB                                      |
| 1 1      | Reserved                                    |

### RLV[1:0]: ALC Expansion Level Control for Recording

Default value: 00

Auto level control can set the expansion level to 0, 6, 14, or 24 dB. Lower-level signals should be expanded to make a small signal easy to hear. If set to 0 dB, the ALC can be operated only as a limiter.

| RLV[1:0] | ALC Expansion Level Control for Recording |
|----------|---|
| 0 0      | 0 dB (default)                            |
| 0 1      | 6 dB                                      |
| 1 0      | 14 dB                                     |
| 1 1      | 24 dB                                     |

**Register 84–86**

|             | B15 | B14  | B13  | B12  | B11  | B10  | B9   | B8   | B7   | B6   | B5   | B4   | B3   | B2   | B1   | B0   |
|-------------|-----|------|------|------|------|------|------|------|------|------|------|------|------|------|------|------|
| Register 84 | 0   | IDX6 | IDX5 | IDX4 | IDX3 | IDX2 | IDX1 | IDX0 | RSV  | RSV  | RSV  | RSV  | RSV  | MSTR | RSV  | BIT0 |
| Register 85 | 0   | IDX6 | IDX5 | IDX4 | IDX3 | IDX2 | IDX1 | IDX0 | SRST | RSV  | NPR5 | NPR4 | NPR3 | NPR2 | NPR1 | NPR0 |
| Register 86 | 0   | IDX6 | IDX5 | IDX4 | IDX3 | IDX2 | IDX1 | IDX0 | MBST | MSR2 | MSR1 | MSR0 | RSV  | RSV  | RSV  | ZCRS |

**IDX[6:0]:** 101 0100b (54h) Register 84

**IDX[6:0]:** 101 0101b (55h) Register 85

**IDX[6:0]:** 101 0110b (56h) Register 86

**MSTR: Master or Slave Selection for Audio Interface**

Default value: 0

This bit is used to select either master or slave mode for the audio interface. In master mode, PCM1870 generates LRCK and BCK from the system clock. In slave mode, it receives LRCK and BCK from another device.

|          |                           |
|----------|---------------------------|
| MSTR = 0 | Slave interface (default) |
| MSTR = 1 | Master interface          |

**BIT0: Bit Length Selection for Audio Interface**

Default value: 1

This bit is used to select data bit length for the ADC output.

|          |                   |
|----------|-------------------|
| BIT0 = 0 | Reserved          |
| BIT0 = 1 | 16 bits (default) |

**SRST: System Reset**

Default value: 0

This bit is used to enable system reset. All circuits are reset by setting SRST = 1. After completing the reset sequence, SRST resets to 0 automatically.

|          |                          |
|----------|--------------------------|
| SRST = 0 | Reset disabled (default) |
| SRST = 1 | Reset enabled            |

**NPR[5:0]: System Clock Rate Selection**

Default value: 00 0000

These bits are used to select the system clock rate. See [Table 8](#) for details.

**MBST: BCK Output Configuration in Master Mode**

Default value: 0

This bit is used to control the BCK output configuration in master mode.  $V_{IO}$  (I/O cell power supply) power consumption can be reduced by adjusting BCK edge to bit number when setting MBST = 1. This is effective in master mode (register 69 MSTR = 1).

|          |                         |
|----------|-------------------------|
| MBST = 0 | Normal output (default) |
| MBST = 1 | Burst output            |

**MSR[2:0]: System Clock Dividing Rate Selection in Master Mode (Register 70)**

Default value: 000

These bits are used to set the dividing rate of the input system clock. See [Table 8](#) for details.

**Table 8. System Clock Frequency for Common Audio Clock**

| SYSTEM CLOCK<br>SCK (MHz) | ADC SAMPLING RATE<br>ADC $f_s$ (kHz) | DAC SAMPLING RATE<br>DAC $f_s$ (kHz) | REGISTER SETTING |          | BIT CLOCK<br>BCK ( $f_s$ ) |
|---------------------------|--------------------------------------|--------------------------------------|------------------|----------|----------------------------|
|                           |                                      |                                      | MSR[2:0]         | NPR[5:0] |                            |
| 6.144                     | 24 (SCK/256)                         |                                      | 010              | 00 0000  | 64                         |
|                           | 16 (SCK/384)                         |                                      | 011              | 00 0000  | 64                         |
|                           | 12 (SCK/512)                         |                                      | 100              | 00 0000  | 64                         |
|                           | 8 (SCK/768)                          |                                      | 101              | 00 0000  | 64                         |
|                           | 6 (SCK/1024)                         |                                      | 110              | 00 0000  | 64                         |
|                           | 4 (SCK/1536)                         |                                      | 111              | 00 0000  | 64                         |
| 8.192                     | 32 (SCK/256)                         |                                      | 010              | 00 0000  | 64                         |
|                           | 16 (SCK/512)                         |                                      | 100              | 00 0000  | 64                         |
|                           | 8 (SCK/1024)                         |                                      | 110              | 00 0000  | 64                         |
| 12.288                    | 48 (SCK/256)                         |                                      | 010              | 00 0000  | 64                         |
|                           | 32 (SCK/384)                         |                                      | 011              | 00 0000  | 64                         |
|                           | 24 (SCK/512)                         |                                      | 100              | 00 0000  | 64                         |
|                           | 16 (SCK/768)                         |                                      | 101              | 00 0000  | 64                         |
|                           | 12 (SCK/1024)                        |                                      | 110              | 00 0000  | 64                         |
|                           | 8 (SCK/1536)                         |                                      | 111              | 00 0000  | 64                         |
| 18.432                    | 48 (SCK/384)                         |                                      | 011              | 00 0000  | 64                         |
|                           | 24 (SCK/768)                         |                                      | 101              | 00 0000  | 64                         |
|                           | 12 (SCK/1536)                        |                                      | 111              | 00 0000  | 64                         |
| 5.6448                    | 22.05 (SCK/256)                      |                                      | 010              | 00 0000  | 64                         |
|                           | 14.7 (SCK/384)                       |                                      | 011              | 00 0000  | 64                         |
|                           | 11.025 (SCK/512)                     |                                      | 100              | 00 0000  | 64                         |
|                           | 7.35 (SCK/768)                       |                                      | 101              | 00 0000  | 64                         |
|                           | 5.5125 (SCK/1024)                    |                                      | 110              | 00 0000  | 64                         |
|                           | 3.675 (SCK/1536)                     |                                      | 111              | 00 0000  | 64                         |
| 11.2896                   | 44.1 (SCK/256)                       |                                      | 010              | 00 0000  | 64                         |
|                           | 29.4 (SCK/384)                       |                                      | 011              | 00 0000  | 64                         |
|                           | 22.05 (SCK/512)                      |                                      | 100              | 00 0000  | 64                         |
|                           | 14.7 (SCK/768)                       |                                      | 101              | 00 0000  | 64                         |
|                           | 11.025 (SCK/1024)                    |                                      | 110              | 00 0000  | 64                         |
|                           | 7.35 (SCK/1536)                      |                                      | 111              | 00 0000  | 64                         |

NOTE: Other settings are reserved.

**Table 9. System Clock Frequency for Application-Specific Audio Clock**

| SYSTEM CLOCK<br>SCK (MHz) | ADC SAMPLING RATE<br>ADC $f_s$ (kHz) | DAC SAMPLING RATE<br>DAC $f_s$ (kHz) | REGISTER SETTING |          | BIT CLOCK<br>BCK ( $f_s$ ) |
|---------------------------|--------------------------------------|--------------------------------------|------------------|----------|----------------------------|
|                           |                                      |                                      | MSR[2:0]         | NPR[5:0] |                            |
| 13.5                      | 48.214 (SCK/280)                     |                                      | 010              | 00 0010  | 70                         |
|                           | 44.407 (SCK/304)                     |                                      | 010              | 00 0001  | 76                         |
|                           | 32.142 (SCK/420)                     |                                      | 010              | 10 0010  | 70                         |
|                           | 24.107 (SCK/560)                     |                                      | 100              | 00 0010  | 70                         |
|                           | 22.203 (SCK/608)                     |                                      | 100              | 00 0001  | 76                         |
|                           | 16.071 (SCK/840)                     |                                      | 100              | 10 0010  | 70                         |
|                           | 12.053 (SCK/1120)                    |                                      | 110              | 00 0010  | 70                         |
|                           | 8.035 (SCK/1680)                     |                                      | 110              | 10 0010  | 70                         |
| 27                        | 48.214 (SCK/560)                     |                                      | 010              | 01 0010  | 70                         |
|                           | 44.407 (SCK/608)                     |                                      | 010              | 01 0001  | 76                         |
|                           | 32.142 (SCK/840)                     |                                      | 010              | 11 0010  | 70                         |
|                           | 24.107 (SCK/1120)                    |                                      | 100              | 01 0010  | 70                         |
|                           | 22.203 (SCK/1216)                    |                                      | 100              | 01 0001  | 76                         |
|                           | 16.071 (SCK/1680)                    |                                      | 100              | 11 0010  | 70                         |
|                           | 12.053 (SCK/2240)                    |                                      | 110              | 01 0010  | 70                         |
|                           | 8.035 (SCK/3360)                     |                                      | 110              | 11 0010  | 70                         |
| 12                        | 48.387 (SCK/248)                     |                                      | 010              | 00 0100  | 62                         |
|                           | 44.117 (SCK/272)                     |                                      | 010              | 00 0011  | 68                         |
|                           | 32.258 (SCK/372)                     |                                      | 010              | 10 0100  | 62                         |
|                           | 24.193 (SCK/496)                     |                                      | 100              | 00 0100  | 62                         |
|                           | 22.058 (SCK/544)                     |                                      | 100              | 00 0011  | 68                         |
|                           | 16.129 (SCK/744)                     |                                      | 100              | 10 0100  | 62                         |
|                           | 12.096 (SCK/992)                     |                                      | 110              | 00 0100  | 62                         |
|                           | 8.064 (SCK/1488)                     |                                      | 110              | 10 0100  | 62                         |
| 24                        | 48.387 (SCK/496)                     |                                      | 010              | 01 0100  | 62                         |
|                           | 44.117 (SCK/544)                     |                                      | 010              | 01 0011  | 68                         |
|                           | 32.258 (SCK/744)                     |                                      | 010              | 11 0100  | 62                         |
|                           | 24.193 (SCK/992)                     |                                      | 100              | 01 0100  | 62                         |
|                           | 22.058 (SCK/1088)                    |                                      | 100              | 01 0011  | 68                         |
|                           | 16.129 (SCK/1488)                    |                                      | 100              | 11 0100  | 62                         |
|                           | 12.096 (SCK/1984)                    |                                      | 110              | 01 0100  | 62                         |
|                           | 8.064 (SCK/2796)                     |                                      | 110              | 11 0100  | 62                         |
| 19.2                      | 48.484 (SCK/396)                     |                                      | 011              | 00 0110  | 66                         |
|                           | 44.444 (SCK/432)                     |                                      | 011              | 00 0101  | 72                         |
|                           | 32.323 (SCK/594)                     |                                      | 011              | 10 0110  | 66                         |
|                           | 24.242 (SCK/792)                     |                                      | 101              | 00 0110  | 66                         |
|                           | 22.222 (SCK/864)                     |                                      | 101              | 00 0101  | 72                         |
|                           | 16.161 (SCK/1188)                    |                                      | 101              | 10 0110  | 66                         |
|                           | 12.121 (SCK/1584)                    |                                      | 111              | 00 0110  | 66                         |
|                           | 8.080 (SCK/2376)                     |                                      | 111              | 10 0110  | 66                         |



**Table 9. System Clock Frequency for Application-Specific Audio Clock (continued)**

| SYSTEM CLOCK<br>SCK (MHz) | ADC SAMPLING RATE<br>ADC $f_s$ (kHz) | DAC SAMPLING RATE<br>DAC $f_s$ (kHz) | REGISTER SETTING |          | BIT CLOCK<br>BCK ( $f_s$ ) |
|---------------------------|--------------------------------------|--------------------------------------|------------------|----------|----------------------------|
|                           |                                      |                                      | MSR[2:0]         | NPR[5:0] |                            |
| 38.4                      | 48.484 (SCK/792)                     |                                      | 011              | 01 0110  | 66                         |
|                           | 44.444 (SCK/864)                     |                                      | 011              | 01 0101  | 72                         |
|                           | 32.323 (SCK/1188)                    |                                      | 011              | 11 0110  | 66                         |
|                           | 24.242 (SCK/1584)                    |                                      | 101              | 01 0110  | 66                         |
|                           | 22.222 (SCK/1728)                    |                                      | 101              | 01 0101  | 72                         |
|                           | 16.161 (SCK/2376)                    |                                      | 101              | 11 0110  | 66                         |
|                           | 12.121 (SCK/3168)                    |                                      | 111              | 01 0110  | 66                         |
|                           | 8.080 (SCK/4752)                     |                                      | 111              | 11 0110  | 66                         |
| 13                        | 47.794 (SCK/272)                     |                                      | 010              | 00 1000  | 68                         |
|                           | 43.918 (SCK/296)                     |                                      | 010              | 00 0111  | 74                         |
|                           | 31.862 (SCK/408)                     |                                      | 010              | 10 1000  | 68                         |
|                           | 23.897 (SCK/544)                     |                                      | 100              | 00 1000  | 68                         |
|                           | 21.959 (SCK/592)                     |                                      | 100              | 00 0111  | 74                         |
|                           | 15.931 (SCK/816)                     |                                      | 100              | 10 1000  | 68                         |
|                           | 11.948 (SCK/1088)                    |                                      | 110              | 00 1000  | 68                         |
|                           | 7.965 (SCK/1632)                     |                                      | 110              | 10 1000  | 68                         |
| 26                        | 47.794 (SCK/544)                     |                                      | 010              | 01 1000  | 68                         |
|                           | 43.918 (SCK/592)                     |                                      | 010              | 01 0111  | 74                         |
|                           | 31.862 (SCK/816)                     |                                      | 010              | 11 1000  | 68                         |
|                           | 23.897 (SCK/1088)                    |                                      | 100              | 01 1000  | 68                         |
|                           | 21.959 (SCK/1184)                    |                                      | 100              | 01 0111  | 74                         |
|                           | 15.931 (SCK/1632)                    |                                      | 100              | 11 1000  | 68                         |
|                           | 11.948 (SCK/2176)                    |                                      | 110              | 01 1000  | 68                         |
|                           | 7.965 (SCK/3264)                     |                                      | 110              | 11 1000  | 68                         |
| 19.68                     | 48.235 (SCK/408)                     |                                      | 011              | 00 1010  | 68                         |
|                           | 44.324 (SCK/444)                     |                                      | 011              | 00 1001  | 74                         |
|                           | 32.156 (SCK/612)                     |                                      | 011              | 10 1010  | 68                         |
|                           | 24.117 (SCK/816)                     |                                      | 101              | 00 1010  | 68                         |
|                           | 22.162 (SCK/888)                     |                                      | 101              | 00 1001  | 74                         |
|                           | 16.078 (SCK/1224)                    |                                      | 101              | 10 1010  | 68                         |
|                           | 12.058 (SCK/1632)                    |                                      | 111              | 00 1010  | 68                         |
|                           | 8.039 (SCK/2448)                     |                                      | 111              | 10 1010  | 68                         |
| 39.36                     | 48.235 (SCK/816)                     |                                      | 011              | 01 1010  | 68                         |
|                           | 44.324 (SCK/888)                     |                                      | 011              | 01 1001  | 74                         |
|                           | 32.156 (SCK/1224)                    |                                      | 011              | 11 1010  | 68                         |
|                           | 24.117 (SCK/1632)                    |                                      | 101              | 01 1010  | 68                         |
|                           | 22.162 (SCK/1776)                    |                                      | 101              | 01 1001  | 74                         |
|                           | 16.078 (SCK/2448)                    |                                      | 101              | 11 1010  | 68                         |
|                           | 12.058 (SCK/3264)                    |                                      | 111              | 01 1010  | 68                         |
|                           | 8.039 (SCK/4896)                     |                                      | 111              | 11 1010  | 68                         |

**ZCRS: Zero Cross for Digital Attenuation/Mute and Analog Gain Setting**

Default value: 0

This bit is used to enable the zero-cross detector, which reduces zipper noise while the digital soft mute or analog gain setting is being changed. If no zero-cross data is input for a  $512/f_s$  period (10.6 ms at a 48-kHz sampling rate), then a time-out occurs and the PCM1870 starts changing the attenuation, gain, or volume level. The zero-cross detector cannot be used with continuous-zero and dc data.

|          |                               |
|----------|-------------------------------|
| ZCRS = 0 | Zero cross disabled (default) |
| ZCRS = 1 | Zero cross enabled            |

**Register 87**

|             | B15 | B14  | B13  | B12  | B11  | B10  | B9   | B8   | B7   | B6  | B5   | B4   | B3  | B2  | B1   | B0   |
|-------------|-----|------|------|------|------|------|------|------|------|-----|------|------|-----|-----|------|------|
| Register 87 | 0   | IDX6 | IDX5 | IDX4 | IDX3 | IDX2 | IDX1 | IDX0 | AD2S | RSV | AIR1 | AIR0 | RSV | RSV | AIL1 | AIL0 |

**IDX[6:0]:** 101 0111b (57h) Register 87**AD2S: Differential Amplifier Selector (MUX3 and MUX4)**

Default value: 0

This bit is used to select whether a single-ended amplifier or differential amplifier (D2S) is used as the input for the ADC. MUX3 and MUX4 use the single-ended input when AD2S = 0. MUX3 and MUX4 use the monaural differential input when AD2S = 1.

|          |                                  |
|----------|----------------------------------|
| AD2S = 0 | Single-ended amplifier (default) |
| AD2S = 1 | Differential amplifier           |

**AIL[1:0]: AIN1L and AIN2L Selector (MUX1)**

Default value: 00

MUX1 selects the analog input, AIN1L or AIN2L.

| AIL[1:0] | AIN L-channel Select |
|----------|----------------------|
| 0 0      | Disconnect (default) |
| 0 1      | AIN1L                |
| 1 0      | AIN2L                |
| 1 1      | Reserved             |

**AIR[1:0]: AIN1R and AIN2R Selector (MUX2)**

Default value: 00

MUX2 selects the analog input, AIN1R or AIN2R.

| AIR[1:0] | AIN R-channel Select |
|----------|----------------------|
| 0 0      | Disconnect (default) |
| 0 1      | AIN1R                |
| 1 0      | AIN2R                |
| 1 1      | Reserved             |

**Register 90**

|             |            |            |            |            |            |            |           |           |           |           |           |           |           |           |           |           |
|-------------|------------|------------|------------|------------|------------|------------|-----------|-----------|-----------|-----------|-----------|-----------|-----------|-----------|-----------|-----------|
|             | <b>B15</b> | <b>B14</b> | <b>B13</b> | <b>B12</b> | <b>B11</b> | <b>B10</b> | <b>B9</b> | <b>B8</b> | <b>B7</b> | <b>B6</b> | <b>B5</b> | <b>B4</b> | <b>B3</b> | <b>B2</b> | <b>B1</b> | <b>B0</b> |
| Register 90 | 0          | IDX6       | IDX5       | IDX4       | IDX3       | IDX2       | IDX1      | IDX0      | RSV       | RSV       | RSV       | RSV       | RSV       | RSV       | G20R      | G20L      |

**IDX[6:0]:** 101 1010b (5Ah) Register 90

**G20R: 20-dB Boost for PG2 (Gain Amplifier for AIN1R and AIN2R)**

Default value: 0

This bit is used to boost the microphone signal when the analog input is small.

| <b>G12R<br/>(REGISTER 124)</b> | <b>G20R<br/>(REGISTER 90)</b> | <b>PG2 GAIN</b> |
|--------------------------------|-------------------------------|-----------------|
| 0                              | 0                             | 0 dB (default)  |
| 0                              | 1                             | 20 dB           |
| 1                              | 0                             | 12 dB           |
| 1                              | 1                             | Reserved        |

**G20L: 20 dB Boost for PG1 (Gain Amplifier for AIN1L and AIN2L)**

Default value: 0

This bit is used to boost the microphone signal when the analog input is small.

| <b>G12L<br/>(REGISTER 124)</b> | <b>G20L<br/>(REGISTER 90)</b> | <b>PG1 GAIN</b> |
|--------------------------------|-------------------------------|-----------------|
| 0                              | 0                             | 0 dB (default)  |
| 0                              | 1                             | 20 dB           |
| 1                              | 0                             | 12 dB           |
| 1                              | 1                             | Reserved        |

**Register 92**

|             | B15 | B14  | B13  | B12  | B11  | B10  | B9   | B8   | B7   | B6  | B5  | B4   | B3   | B2   | B1   | B0   |
|-------------|-----|------|------|------|------|------|------|------|------|-----|-----|------|------|------|------|------|
| Register 92 | 0   | IDX6 | IDX5 | IDX4 | IDX3 | IDX2 | IDX1 | IDX0 | LPAE | RSV | RSV | LGA4 | LGA3 | LGA2 | LGA1 | LGA0 |

**IDX[6:0]:** 101 1100b (5Ch) Register 92

**LPAE: Automatic Attenuation Setting for Bass Boost Gain Control**

Default value: 0

A gain setting for bass boost may cause digital data saturation, depending on the input data level. Where this could occur, LPAE can be used to set the same attenuation level as the bass boost gain level for the digital input data.

|          |                  |
|----------|------------------|
| LPAE = 0 | Disble (default) |
| LPAE = 1 | Enable           |

**LGA[4:0]: Bass Boost Gain Control**

Default value: 0 0000

These bits are used to set bass boost gain level for the digital data. The center frequency for boost is 200 Hz at 44.1 kHz.

| LGA[4:0] | TONE CONTROL GAIN (BASS) | LGA[4:0] | TONE CONTROL GAIN (BASS) |
|----------|--------------------------|----------|--------------------------|
| 0 0000   | 0 dB (default)           | 0 1111   | 0 dB                     |
| 0 0011   | 12 dB                    | 1 0000   | -1 dB                    |
| 0 0100   | 11 dB                    | 1 0001   | -2 dB                    |
| 0 0101   | 10 dB                    | 1 0010   | -3 dB                    |
| 0 0110   | 9 dB                     | 1 0011   | -4 dB                    |
| 0 0111   | 8 dB                     | 1 0100   | -5 dB                    |
| 0 1000   | 7 dB                     | 1 0101   | -6 dB                    |
| 0 1001   | 6 dB                     | 1 0110   | -7 dB                    |
| 0 1010   | 5 dB                     | 1 0111   | -8 dB                    |
| 0 1011   | 4 dB                     | 1 1000   | -9 dB                    |
| 0 1100   | 3 dB                     | 1 1001   | -10 dB                   |
| 0 1101   | 2 dB                     | 1 1010   | -11 dB                   |
| 0 1110   | 1 dB                     | 1 1011   | -12 dB                   |

**Register 93**

**B15   B14   B13   B12   B11   B10   B9   B8   B7   B6   B5   B4   B3   B2   B1   B0**

|             |   |      |      |      |      |      |      |      |     |     |     |      |      |      |      |      |
|-------------|---|------|------|------|------|------|------|------|-----|-----|-----|------|------|------|------|------|
| Register 93 | 0 | IDX6 | IDX5 | IDX4 | IDX3 | IDX2 | IDX1 | IDX0 | RSV | RSV | RSV | MGA4 | MGA3 | MGA2 | MGA1 | MGA0 |
|-------------|---|------|------|------|------|------|------|------|-----|-----|-----|------|------|------|------|------|

**IDX[6:0]:** 101 1101b (5Dh) Register 93

**MGA[4:0]: Middle Boost Gain Control**

Default value: 0 0000

These bits are used to set midrange boost gain level for the digital data. The center frequency for boost is 1 kHz.

| MGA[4:0] | TONE CONTROL GAIN (MID) | MGA[4:0] | TONE CONTROL GAIN (MID) |
|----------|-------------------------|----------|-------------------------|
| 0 0000   | 0 dB (default)          | 0 1111   | 0 dB                    |
| 0 0011   | 12 dB                   | 1 0000   | –1 dB                   |
| 0 0100   | 11 dB                   | 1 0001   | –2 dB                   |
| 0 0101   | 10 dB                   | 1 0010   | –3 dB                   |
| 0 0110   | 9 dB                    | 1 0011   | –4 dB                   |
| 0 0111   | 8 dB                    | 1 0100   | –5 dB                   |
| 0 1000   | 7 dB                    | 1 0101   | –6 dB                   |
| 0 1001   | 6 dB                    | 1 0110   | –7 dB                   |
| 0 1010   | 5 dB                    | 1 0111   | –8 dB                   |
| 0 1011   | 4 dB                    | 1 1000   | –9 dB                   |
| 0 1100   | 3 dB                    | 1 1001   | –10 dB                  |
| 0 1101   | 2 dB                    | 1 1010   | –11 dB                  |
| 0 1110   | 1 dB                    | 1 1011   | –12 dB                  |

**Register 94**

|             | B15 | B14  | B13  | B12  | B11  | B10  | B9   | B8   | B7  | B6  | B5  | B4   | B3   | B2   | B1   | B0   |
|-------------|-----|------|------|------|------|------|------|------|-----|-----|-----|------|------|------|------|------|
| Register 94 | 0   | IDX6 | IDX5 | IDX4 | IDX3 | IDX2 | IDX1 | IDX0 | RSV | RSV | RSV | HGA4 | HGA3 | HGA2 | HGA1 | HGA0 |

**IDX[6:0]:** 101 1110b (5Eh) Register 94**HGA[4:0]:** Treble Boost Gain Control

Default value: 0 0000

These bits are used to set treble boost gain level for the digital data. The center frequency for boost is 5 kHz.

| HGA[4:0] | TONE CONTROL GAIN (TREBLE) | HGA[4:0] | TONE CONTROL GAIN (TREBLE) |
|----------|----------------------------|----------|----------------------------|
| 0 0000   | 0 dB (default)             | 0 1111   | 0 dB                       |
| 0 0011   | 12 dB                      | 1 0000   | -1 dB                      |
| 0 0100   | 11 dB                      | 1 0001   | -2 dB                      |
| 0 0101   | 10 dB                      | 1 0010   | -3 dB                      |
| 0 0110   | 9 dB                       | 1 0011   | -4 dB                      |
| 0 0111   | 8 dB                       | 1 0100   | -5 dB                      |
| 0 1000   | 7 dB                       | 1 0101   | -6 dB                      |
| 0 1001   | 6 dB                       | 1 0110   | -7 dB                      |
| 0 1010   | 5 dB                       | 1 0111   | -8 dB                      |
| 0 1011   | 4 dB                       | 1 1000   | -9 dB                      |
| 0 1100   | 3 dB                       | 1 1001   | -10 dB                     |
| 0 1101   | 2 dB                       | 1 1010   | -11 dB                     |
| 0 1110   | 1 dB                       | 1 1011   | -12 dB                     |

**Register 95**

|             |            |            |            |            |            |            |           |           |           |           |           |           |           |           |           |           |
|-------------|------------|------------|------------|------------|------------|------------|-----------|-----------|-----------|-----------|-----------|-----------|-----------|-----------|-----------|-----------|
|             | <b>B15</b> | <b>B14</b> | <b>B13</b> | <b>B12</b> | <b>B11</b> | <b>B10</b> | <b>B9</b> | <b>B8</b> | <b>B7</b> | <b>B6</b> | <b>B5</b> | <b>B4</b> | <b>B3</b> | <b>B2</b> | <b>B1</b> | <b>B0</b> |
| Register 95 | 0          | IDX6       | IDX5       | IDX4       | IDX3       | IDX2       | IDX1      | IDX0      | RSV       | 3DEN      | RSV       | 3FL0      | 3DP3      | 3DP2      | 3DP1      | 3DP0      |

**IDX[6:0]:** 1011111b (5Fh) Register 95

**3DEN: 3D Sound Effect Enable**

Default value: 0

This bit is used for enabling the 3-D sound effect filter. This filter has two independently controlled parameters.

|          |                   |
|----------|-------------------|
| 3DEN = 0 | Disable (default) |
| 3DEN = 1 | Enable            |

**3FL0: Filter Selection for 3D Sound**

Default value: 0

This bit is used for selecting from two kinds of filter type, narrow and wide. These filters produce different 3-D effects.

|          |                  |
|----------|------------------|
| 3FL0 = 0 | Narrow (default) |
| 3FL0 = 1 | Wide             |

**3DP[3:0]: Efficiency for 3D Sound Effect**

Default value: 0000

These bits are used for adjusting the 3-D sound efficiency. Higher percentages have greater efficiency.

| <b>3DP[3:0]</b> | <b>3D Sound Effect Efficiency</b> |
|-----------------|-----------------------------------|
| 0000            | 0% (default)                      |
| 0001            | 10%                               |
| 0010            | 20%                               |
| 0011            | 30%                               |
| 0100            | 40%                               |
| 0101            | 50%                               |
| 0110            | 60%                               |
| 0111            | 70%                               |
| 1000            | 80%                               |
| 1001            | 90%                               |
| 1010            | 100%                              |
| 1011            | Reserved                          |
| :               | :                                 |
| 1111            | Reserved                          |

**Register 96**

|             | B15 | B14  | B13  | B12  | B11  | B10  | B9   | B8   | B7   | B6   | B5   | B4   | B3  | B2  | B1  | B0   |
|-------------|-----|------|------|------|------|------|------|------|------|------|------|------|-----|-----|-----|------|
| Register 96 | 0   | IDX6 | IDX5 | IDX4 | IDX3 | IDX2 | IDX1 | IDX0 | NEN2 | NEN1 | NUP2 | NUP1 | RSV | RSV | RSV | MXEN |

**IDX[6:0]:** 110 0000b (60h) Register 96

**NEN2: Second-Stage Notch Filter Enable**

Default value: 0

The PCM1870 has a two-stage notch filter. The two stages can separately set filter characteristics. This bit is used to enable the second stage.

|          |                    |
|----------|--------------------|
| NEN2 = 0 | Disabled (default) |
| NEN2 = 1 | Enabled            |

**NEN1: First-Stage Notch Filter Enable**

Default value: 0

The PCM1870 has a two-stage notch filter. The two stages can separately set filter characteristics. This bit is used to enable the first stage.

|          |                    |
|----------|--------------------|
| NEN1 = 0 | Disabled (default) |
| NEN1 = 1 | Enabled            |

**NUP2: Second-Stage Notch Filter Coefficients Update**

Default value: 0

This bit is used to update the coefficients for the second-stage notch filter. The coefficients written to registers 101, 102, 103, 104 are updated when NUP2 = 1.

|          |                     |
|----------|---------------------|
| NUP2 = 0 | No update (default) |
| NUP2 = 1 | Update              |

**NUP1: First-Stage Notch Filter Coefficients Update**

Default value: 0

This bit is used to update the coefficients for the first-stage notch filter. The coefficients written to registers 97, 98, 99, 100 are updated when NUP1 = 1.

|          |                     |
|----------|---------------------|
| NUP1 = 0 | No update (default) |
| NUP1 = 1 | Update              |

**MXEN: Digital Monaural Mixing**

Default value: 0

This bit is used to enable or disable monaural mixing in the section that combines L-ch and R-ch digital data.

|          |                            |
|----------|----------------------------|
| MXEN = 0 | Disabled (stereo, default) |
| MXEN = 1 | Enabled (monaural mixing)  |



**Registers 97–100**

|              | B15 | B14  | B13  | B12  | B11  | B10  | B9   | B8   | B7   | B6   | B5   | B4   | B3   | B2   | B1   | B0   |
|--------------|-----|------|------|------|------|------|------|------|------|------|------|------|------|------|------|------|
| Register 97  | 0   | IDX6 | IDX5 | IDX4 | IDX3 | IDX2 | IDX1 | IDX0 | F107 | F106 | F105 | F104 | F103 | F102 | F101 | F100 |
| Register 98  | 0   | IDX6 | IDX5 | IDX4 | IDX3 | IDX2 | IDX1 | IDX0 | F115 | F114 | F113 | F112 | F111 | F110 | F109 | F108 |
| Register 99  | 0   | IDX6 | IDX5 | IDX4 | IDX3 | IDX2 | IDX1 | IDX0 | F207 | F206 | F205 | F204 | F203 | F202 | F201 | F200 |
| Register 100 | 0   | IDX6 | IDX5 | IDX4 | IDX3 | IDX2 | IDX1 | IDX0 | F215 | F214 | F213 | F212 | F211 | F210 | F209 | F208 |

**IDX[6:0]:** 110 0001b (61h) Register 97

**IDX[6:0]:** 110 0010b (62h) Register 98

**IDX[6:0]:** 110 0011b (63h) Register 99

**IDX[6:0]:** 110 0100b (64h) Register 100

**F[107:100]: Lower 8 Bits of Coefficient  $a_1$  for First-Stage Notch Filter**

**F[115:108]: Upper 8 Bits of Coefficient  $a_1$  for First-Stage Notch Filter**

**F[207:200]: Lower 8 Bits of Coefficient  $a_2$  for First-Stage Notch Filter**

**F[215:208]: Upper 8 Bits of Coefficient  $a_2$  for First-Stage Notch Filter**

Default value: 0000 0000

These bits are used to change the characteristics of the first-stage notch filter. See [Calculating Filter Coefficients](#) for details.

**Registers 101–104**

|              | B15 | B14  | B13  | B12  | B11  | B10  | B9   | B8   | B7   | B6   | B5   | B4   | B3   | B2   | B1   | B0   |
|--------------|-----|------|------|------|------|------|------|------|------|------|------|------|------|------|------|------|
| Register 101 | 0   | IDX6 | IDX5 | IDX4 | IDX3 | IDX2 | IDX1 | IDX0 | S107 | S106 | S105 | S104 | S103 | S102 | S101 | S100 |
| Register 102 | 0   | IDX6 | IDX5 | IDX4 | IDX3 | IDX2 | IDX1 | IDX0 | S115 | S114 | S113 | S112 | S111 | S110 | S109 | S108 |
| Register 103 | 0   | IDX6 | IDX5 | IDX4 | IDX3 | IDX2 | IDX1 | IDX0 | S207 | S206 | S205 | S204 | S203 | S202 | S201 | S200 |
| Register 104 | 0   | IDX6 | IDX5 | IDX4 | IDX3 | IDX2 | IDX1 | IDX0 | S215 | S214 | S213 | S212 | S211 | S210 | S209 | S208 |

**IDX[6:0]:** 110 0101b (65h) Register 101

**IDX[6:0]:** 110 0110b (66h) Register 102

**IDX[6:0]:** 110 0111b (67h) Register 103

**IDX[6:0]:** 110 1000b (68h) Register 104

**S[107:100]: Lower 8 Bits of Coefficient  $a_1$  for Second-Stage Notch Filter**

**S[115:108]: Upper 8 Bits of Coefficient  $a_1$  for Second-Stage Notch Filter**

**S[207:200]: Lower 8 Bits of Coefficient  $a_2$  for Second-Stage Notch Filter**

**S[215:208]: Upper 8 Bits of Coefficient  $a_2$  for Second-Stage Notch Filter**

Default value: 0000 0000

These bits are used to change the characteristics of the second-stage notch filter. See [Calculating Filter Coefficients](#) for details.

### Calculating Filter Coefficients

The PCM1870 provides a dual-stage notch filter at the digital output of the ADC. The filter characteristics of each filter stage can be programmed. The characteristics are determined by calculating coefficients for three parameters, sampling frequency, center frequency and bandwidth, as shown in the following equations. All coefficients must be written as 2s-complement binary data into registers 97, 98, 99, 100, 101, 102, 103, and 104.

$f_S$  = Sampling frequency [Hz]

$f_C$  = Center frequency [Hz]

$f_b$  = Bandwidth [Hz]

$$a_1 = - (1 + a_2) \cos\left(\frac{2\pi f_C}{f_S}\right)$$

$$a_2 = \frac{1 - \tan\left(\frac{2\pi f_b / f_S}{2}\right)}{1 + \tan\left(\frac{2\pi f_b / f_S}{2}\right)}$$

### Register 124

|              | B15 | B14  | B13  | B12  | B11  | B10  | B9   | B8   | B7  | B6  | B5  | B4  | B3  | B2  | B1   | B0   |
|--------------|-----|------|------|------|------|------|------|------|-----|-----|-----|-----|-----|-----|------|------|
| Register 124 | 0   | IDX6 | IDX5 | IDX4 | IDX3 | IDX2 | IDX1 | IDX0 | RSV | RSV | RSV | RSV | RSV | RSV | G12R | G12L |

**IDX[6:0]:** 111 1100b (7Ch) Register 124

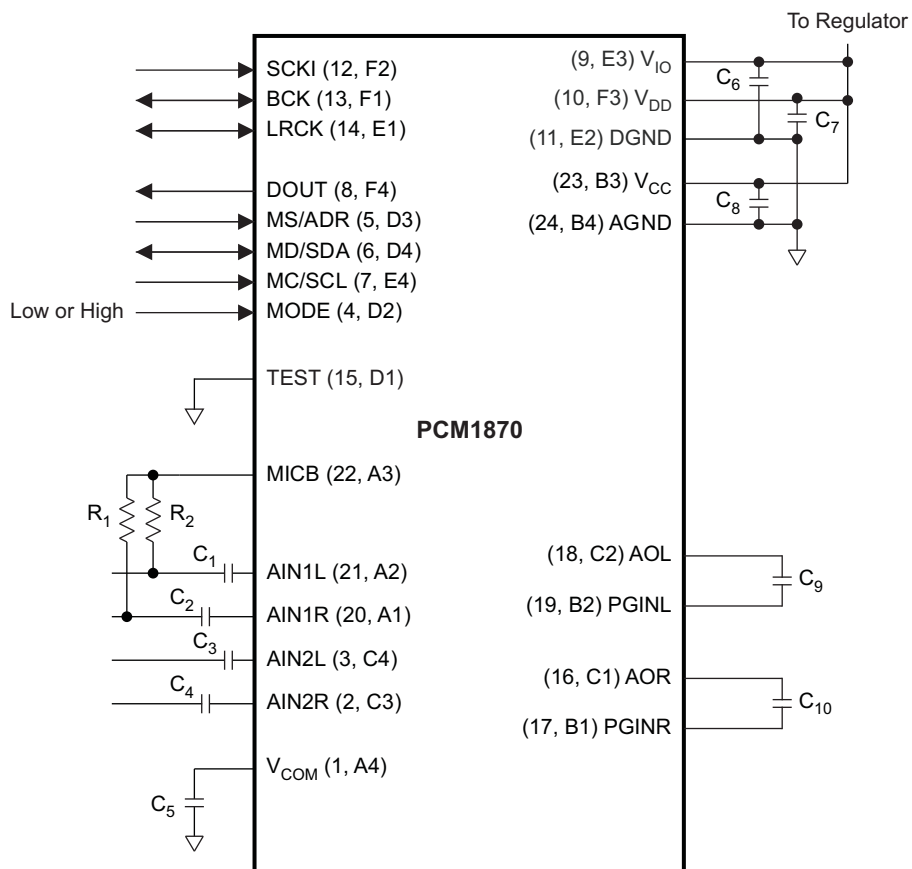
**G12R: 12-dB Boost for PG2 (Gain Amplifier for AIN1R and AIN2R)**

**G12L: 12-dB Boost for PG1 (Gain Amplifier for AIN1L and AIN2L)**

Default value: 0

These bits are used to boost the microphone signal when the analog input is small. See [Register 90](#) for the detailed settings.

**CONNECTION DIAGRAM**



S0262-01

**Figure 24. Connection Diagram**

**Table 10. Recommended External Parts**

|                                |             |                                  |            |
|--------------------------------|-------------|----------------------------------|------------|
| C <sub>1</sub> –C <sub>4</sub> | 1 μF–10 μF  | C <sub>9</sub> , C <sub>10</sub> | 1 μF–10 μF |
| C <sub>5</sub>                 | 1 μF–4.7 μF | R <sub>1</sub> , R <sub>2</sub>  | 2.2 kΩ     |
| C <sub>6</sub>                 | 0.1 μF      |                                  |            |
| C <sub>7</sub>                 | 1 μF        |                                  |            |
| C <sub>8</sub>                 | 1 μF–4.7 μF |                                  |            |

## BOARD DESIGN AND LAYOUT CONSIDERATIONS

### $V_{CC}$ , $V_{DD}$ , and $V_{IO}$ Pins

The digital and analog power supply lines to the PCM1870 should be bypassed to the corresponding ground pins with 0.1- to 4.7- $\mu\text{F}$  ceramic capacitors or electrolytic capacitors, placed as close to the pins as possible to maximize the dynamic performance of ADC.

### AGND and DGND Pins

To maximize the dynamic performance of the PCM1870, the analog and digital grounds are not connected internally. These grounds should have very low impedance to avoid digital noise feeding back into the analog ground. So, they should be connected directly to each other under the part to reduce the potential of noise problems.

### AIN1L, AIN1R, AIN2L, and AIN2R Pins

AIN1L, AIN1R, AIN2L, and AIN2R are single-ended inputs. AIN1L and AIN1R can also be used as a monaural differential input. The anti-aliasing low-pass filters are integrated on these inputs to remove the out-of-band noise from the audio. If the performance of these filters is not good enough for an application, appropriate external anti-aliasing filters are needed. The passive RC filter (100  $\Omega$  and 0.01  $\mu\text{F}$  to 1 k $\Omega$  and 1000 pF) is used in general. Any pins that are not used in an application should be left open. Do not select open pins through register settings.

### AOL, AOR, PGINL, and PGINR Pins

When AIN1L, AIN1R, AIN2L, and AIN2R pins are used as microphone inputs with high gain, AOL and AOR may have a large dc offset. It is recommended to locate a dc-blocking capacitor (1- to 10- $\mu\text{F}$  capacitor) between AOL/AOR and PGINL/PGINR. If an application is not affected by dc offset, the PCM1870 does not need the capacitors.

### $V_{COM}$ Pin

1- $\mu\text{F}$  to 4.7- $\mu\text{F}$  capacitor is recommended between  $V_{COM}$  and AGND to ensure low source impedance for the ADC common voltage. This capacitor should be located as close as possible to the  $V_{COM}$  pin to reduce dynamic errors on the ADC common voltage.

### BCK (Master Mode) and DOUT Pins

BCK in the master mode and DOUT have adequate load drive capability, but if the BCK and DOUT lines are long, locating a buffer near the PCM1870 and minimizing load capacitance is recommended in order to minimize crosstalk between digital and analog circuits, maximize the dynamic performance of the ADC, and reduce power consumption.

---

**Changes from Original (May 2007) to Revision A**

**Page**

---

|  |    |
|--|----|
| • Added new package in FEATURES section.....   | 1  |
| • Added new package in DESCRIPTION section .....                                       | 1  |
| • Added pinout for YZF package .....   | 5  |
| • Inserted column in TERMINAL FUNCTIONS table for terminal numbers of YZF package..... | 5  |
| • Added pin numbers for YZF package to connection diagram .....                        | 43 |

---

**PACKAGING INFORMATION**

| Orderable Device | Status <sup>(1)</sup> | Package Type | Package Drawing | Pins | Package Qty | Eco Plan <sup>(2)</sup>    | Lead/<br>Ball Finish | MSL Peak Temp <sup>(3)</sup> | Samples<br>(Requires Login) |
|------------------|-----------------------|--------------|-----------------|------|-------------|----------------------------|----------------------|------------------------------|-----------------------------|
| PCM1870RHFR      | NRND                  | VQFN         | RHF             | 24   | 3000        | Green (RoHS<br>& no Sb/Br) | CU NIPDAU            | Level-2-260C-1 YEAR          |                             |
| PCM1870RHFRG4    | NRND                  | VQFN         | RHF             | 24   | 3000        | Green (RoHS<br>& no Sb/Br) | CU NIPDAU            | Level-2-260C-1 YEAR          |                             |
| PCM1870RHFT      | NRND                  | VQFN         | RHF             | 24   | 250         | Green (RoHS<br>& no Sb/Br) | CU NIPDAU            | Level-2-260C-1 YEAR          |                             |
| PCM1870RHFTG4    | NRND                  | VQFN         | RHF             | 24   | 250         | Green (RoHS<br>& no Sb/Br) | CU NIPDAU            | Level-2-260C-1 YEAR          |                             |
| PCM1870YZFR      | NRND                  | DSBGA        | YZF             | 24   | 3000        | Green (RoHS<br>& no Sb/Br) | SNAGCU               | Level-1-260C-UNLIM           |                             |
| PCM1870YZFT      | NRND                  | DSBGA        | YZF             | 24   | 250         | Green (RoHS<br>& no Sb/Br) | SNAGCU               | Level-1-260C-UNLIM           |                             |

<sup>(1)</sup> The marketing status values are defined as follows:

**ACTIVE:** Product device recommended for new designs.

**LIFEBUY:** TI has announced that the device will be discontinued, and a lifetime-buy period is in effect.

**NRND:** Not recommended for new designs. Device is in production to support existing customers, but TI does not recommend using this part in a new design.

**PREVIEW:** Device has been announced but is not in production. Samples may or may not be available.

**OBSELETE:** TI has discontinued the production of the device.

<sup>(2)</sup> Eco Plan - The planned eco-friendly classification: Pb-Free (RoHS), Pb-Free (RoHS Exempt), or Green (RoHS & no Sb/Br) - please check <http://www.ti.com/productcontent> for the latest availability information and additional product content details.

**TBD:** The Pb-Free/Green conversion plan has not been defined.

**Pb-Free (RoHS):** TI's terms "Lead-Free" or "Pb-Free" mean semiconductor products that are compatible with the current RoHS requirements for all 6 substances, including the requirement that lead not exceed 0.1% by weight in homogeneous materials. Where designed to be soldered at high temperatures, TI Pb-Free products are suitable for use in specified lead-free processes.

**Pb-Free (RoHS Exempt):** This component has a RoHS exemption for either 1) lead-based flip-chip solder bumps used between the die and package, or 2) lead-based die adhesive used between the die and leadframe. The component is otherwise considered Pb-Free (RoHS compatible) as defined above.

**Green (RoHS & no Sb/Br):** TI defines "Green" to mean Pb-Free (RoHS compatible), and free of Bromine (Br) and Antimony (Sb) based flame retardants (Br or Sb do not exceed 0.1% by weight in homogeneous material)

<sup>(3)</sup> MSL, Peak Temp. -- The Moisture Sensitivity Level rating according to the JEDEC industry standard classifications, and peak solder temperature.

**Important Information and Disclaimer:** The information provided on this page represents TI's knowledge and belief as of the date that it is provided. TI bases its knowledge and belief on information provided by third parties, and makes no representation or warranty as to the accuracy of such information. Efforts are underway to better integrate information from third parties. TI has taken and continues to take reasonable steps to provide representative and accurate information but may not have conducted destructive testing or chemical analysis on incoming materials and chemicals. TI and TI suppliers consider certain information to be proprietary, and thus CAS numbers and other limited information may not be available for release.

In no event shall TI's liability arising out of such information exceed the total purchase price of the TI part(s) at issue in this document sold by TI to Customer on an annual basis.

**TAPE AND REEL INFORMATION**
**REEL DIMENSIONS**

**TAPE DIMENSIONS**


|    |   |
|----|---|
| A0 | Dimension designed to accommodate the component width     |
| B0 | Dimension designed to accommodate the component length    |
| K0 | Dimension designed to accommodate the component thickness |
| W  | Overall width of the carrier tape                         |
| P1 | Pitch between successive cavity centers                   |

**TAPE AND REEL INFORMATION**

\*All dimensions are nominal

| Device      | Package Type | Package Drawing | Pins | SPQ  | Reel Diameter (mm) | Reel Width W1 (mm) | A0 (mm) | B0 (mm) | K0 (mm) | P1 (mm) | W (mm) | Pin1 Quadrant |
|-------------|--------------|-----------------|------|------|--------------------|--------------------|---------|---------|---------|---------|--------|---------------|
| PCM1870RHFR | VQFN         | RHF             | 24   | 3000 | 330.0              | 12.4               | 4.3     | 5.3     | 1.3     | 8.0     | 12.0   | Q1            |
| PCM1870RHFT | VQFN         | RHF             | 24   | 250  | 180.0              | 12.4               | 4.3     | 5.3     | 1.3     | 8.0     | 12.0   | Q1            |



**TAPE AND REEL BOX DIMENSIONS**

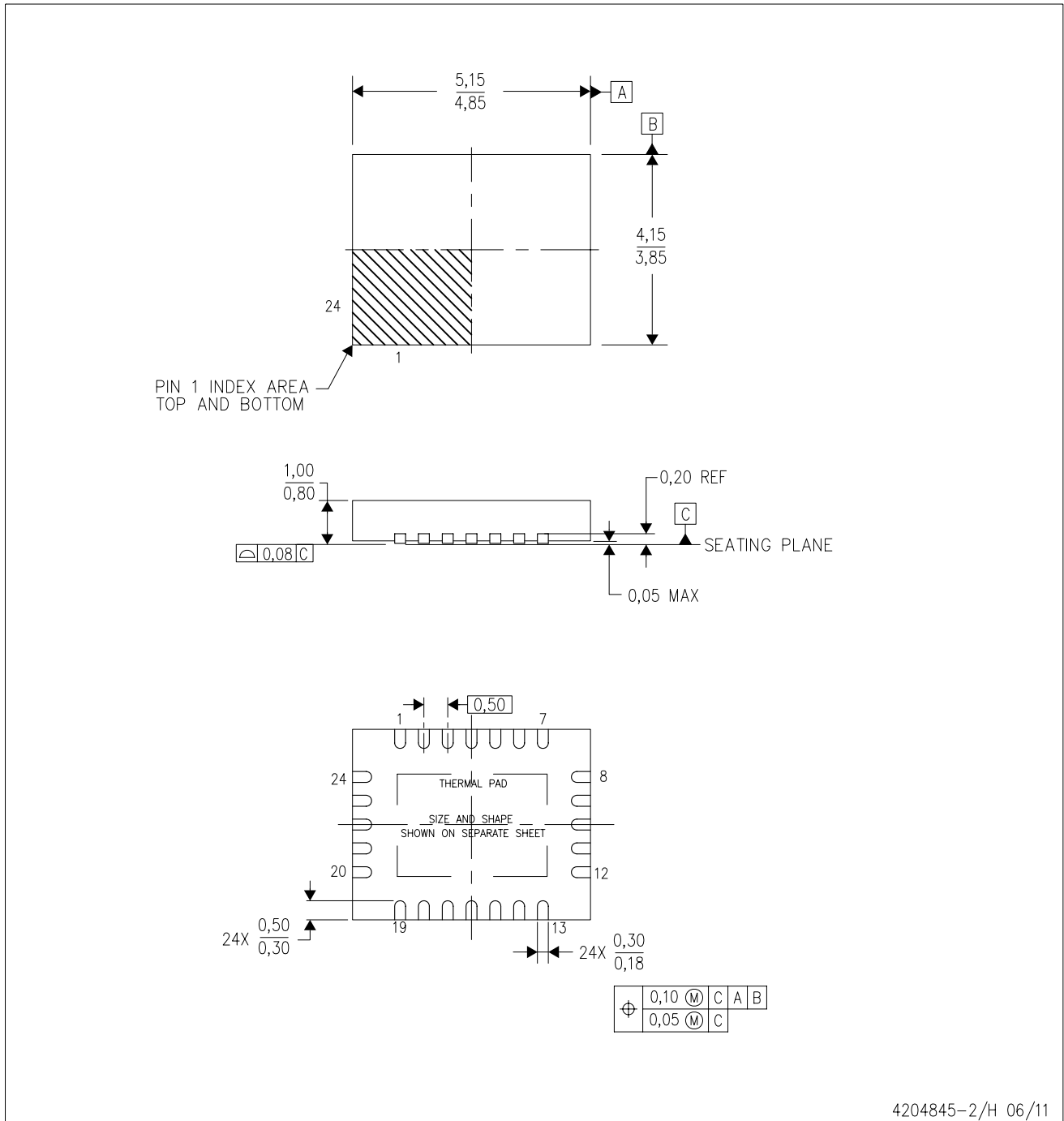

\*All dimensions are nominal

| Device      | Package Type | Package Drawing | Pins | SPQ  | Length (mm) | Width (mm) | Height (mm) |
|-------------|--------------|-----------------|------|------|-------------|------------|-------------|
| PCM1870RHFR | VQFN         | RHF             | 24   | 3000 | 367.0       | 367.0      | 35.0        |
| PCM1870RHFT | VQFN         | RHF             | 24   | 250  | 210.0       | 185.0      | 35.0        |

# MECHANICAL DATA

RHF (R-PVQFN-N24)

PLASTIC QUAD FLATPACK NO-LEAD



4204845-2/H 06/11

- NOTES:
- All linear dimensions are in millimeters. Dimensioning and tolerancing per ASME Y14.5M-1994.
  - This drawing is subject to change without notice.
  - QFN (Quad Flatpack No-Lead) Package configuration.
  - The package thermal pad must be soldered to the board for thermal and mechanical performance.
  - See the additional figure in the Product Data Sheet for details regarding the exposed thermal pad features and dimensions.
  - Falls within JEDEC MO-220.

## THERMAL PAD MECHANICAL DATA

RHF (R-PVQFN-N24)

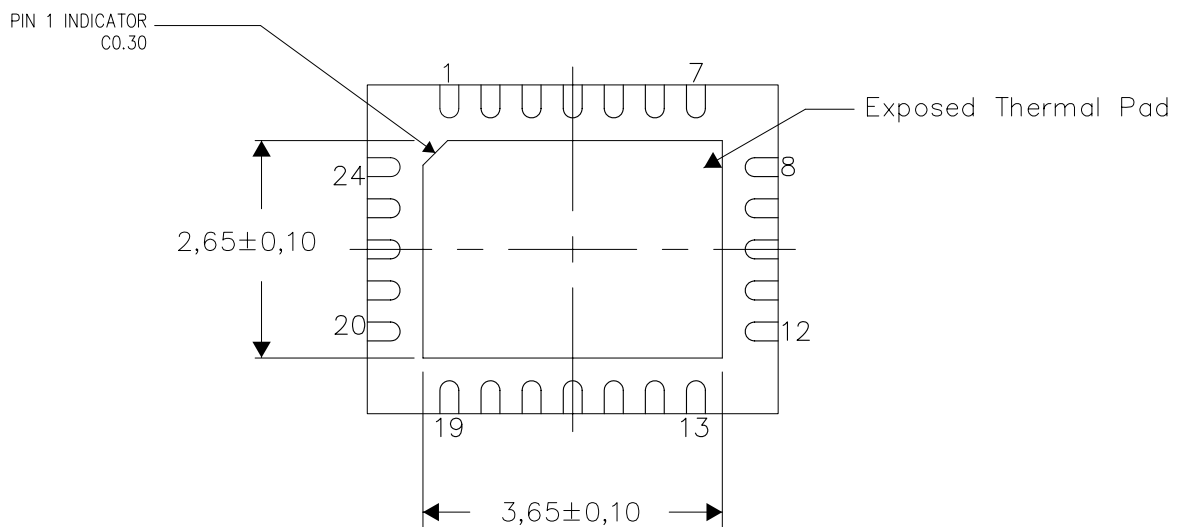
PLASTIC QUAD FLATPACK NO-LEAD

### THERMAL INFORMATION

This package incorporates an exposed thermal pad that is designed to be attached directly to an external heatsink. The thermal pad must be soldered directly to the printed circuit board (PCB). After soldering, the PCB can be used as a heatsink. In addition, through the use of thermal vias, the thermal pad can be attached directly to the appropriate copper plane shown in the electrical schematic for the device, or alternatively, can be attached to a special heatsink structure designed into the PCB. This design optimizes the heat transfer from the integrated circuit (IC).

For information on the Quad Flatpack No-Lead (QFN) package and its advantages, refer to Application Report, QFN/SON PCB Attachment, Texas Instruments Literature No. SLUA271. This document is available at [www.ti.com](http://www.ti.com).

The exposed thermal pad dimensions for this package are shown in the following illustration.



Bottom View

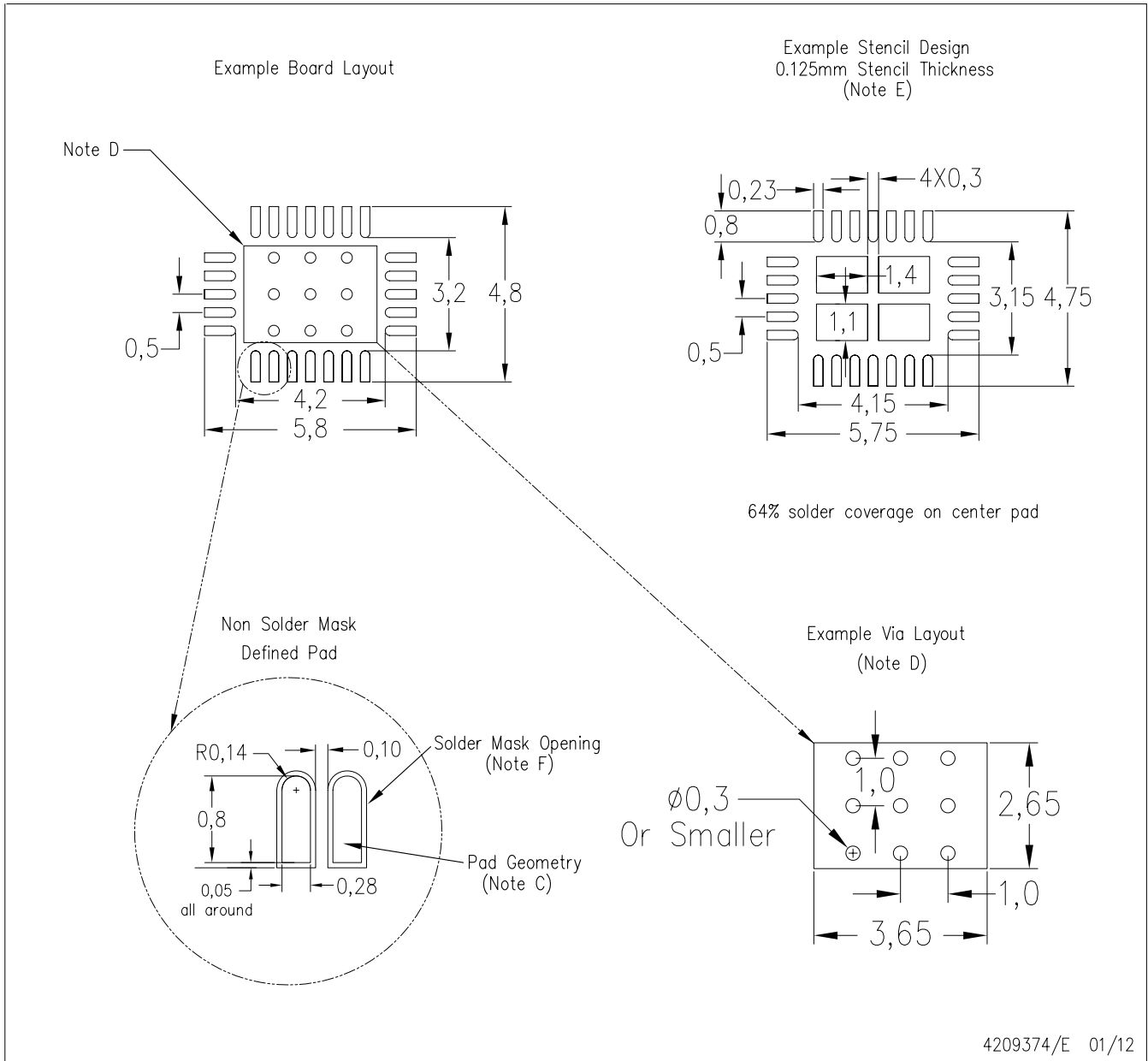
Exposed Thermal Pad Dimensions

4206360-3/J 01/12

NOTE: All linear dimensions are in millimeters

RHF (R-PVQFN-N24)

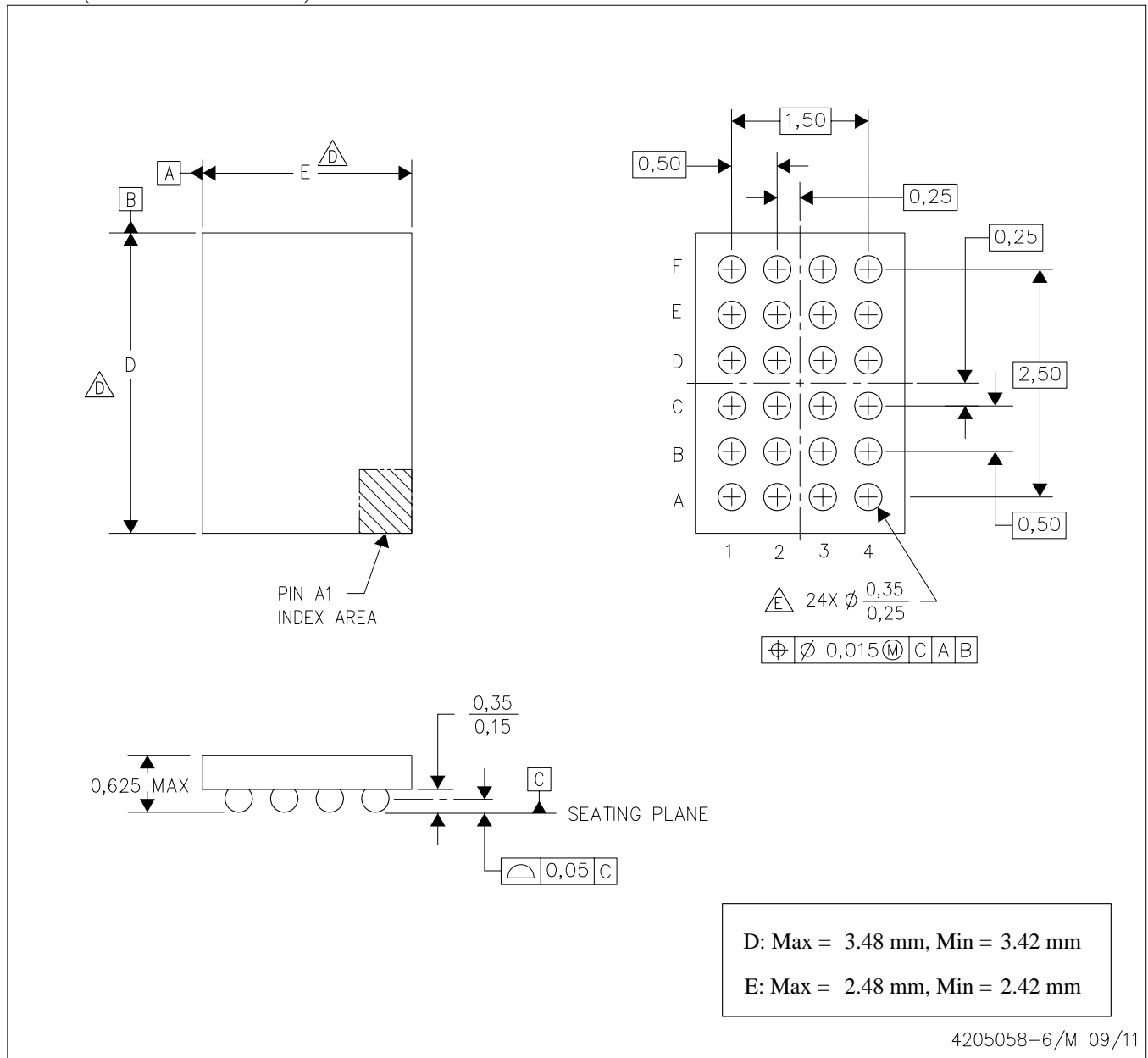
PLASTIC QUAD FLATPACK NO-LEAD



- NOTES:
- A. All linear dimensions are in millimeters.
  - B. This drawing is subject to change without notice.
  - C. Publication IPC-7351 is recommended for alternate designs.
  - D. This package is designed to be soldered to a thermal pad on the board. Refer to Application Note, Quad Flat-Pack Packages, Texas Instruments Literature No. SLUA271, and also the Product Data Sheets for specific thermal information, via requirements, and recommended board layout. These documents are available at [www.ti.com](http://www.ti.com) <<http://www.ti.com>>.
  - E. Laser cutting apertures with trapezoidal walls and also rounding corners will offer better paste release. Customers should contact their board assembly site for stencil design recommendations. Refer to IPC 7525 for stencil design considerations.
  - F. Customers should contact their board fabrication site for recommended solder mask tolerances and via tenting recommendations for vias placed in thermal pad.

YZF (R-XBGA-N24)

DIE-SIZE BALL GRID ARRAY



- NOTES:
- A. All linear dimensions are in millimeters. Dimensioning and tolerancing per ASME Y14.5M-1994.
  - B. This drawing is subject to change without notice.
  - C. NanoFree™ package configuration.
  - $\triangle D$  The package size (Dimension D and E) of a particular device is specified in the device Product Data Sheet version of this drawing, in case it cannot be found in the product data sheet please contact a local TI representative.
  - $\triangle E$  Reference Product Data Sheet for array population.  
4 x 6 matrix pattern is shown for illustration only.
  - F. This package contains Pb-free balls.  
Refer to YFF (Drawing #4207625) for tin-lead (SnPb) balls.

NanoFree is a trademark of Texas Instruments.

## IMPORTANT NOTICE

Texas Instruments Incorporated and its subsidiaries (TI) reserve the right to make corrections, enhancements, improvements and other changes to its semiconductor products and services per JESD46C and to discontinue any product or service per JESD48B. Buyers should obtain the latest relevant information before placing orders and should verify that such information is current and complete. All semiconductor products (also referred to herein as "components") are sold subject to TI's terms and conditions of sale supplied at the time of order acknowledgment.

TI warrants performance of its components to the specifications applicable at the time of sale, in accordance with the warranty in TI's terms and conditions of sale of semiconductor products. Testing and other quality control techniques are used to the extent TI deems necessary to support this warranty. Except where mandated by applicable law, testing of all parameters of each component is not necessarily performed.

TI assumes no liability for applications assistance or the design of Buyers' products. Buyers are responsible for their products and applications using TI components. To minimize the risks associated with Buyers' products and applications, Buyers should provide adequate design and operating safeguards.

TI does not warrant or represent that any license, either express or implied, is granted under any patent right, copyright, mask work right, or other intellectual property right relating to any combination, machine, or process in which TI components or services are used. Information published by TI regarding third-party products or services does not constitute a license to use such products or services or a warranty or endorsement thereof. Use of such information may require a license from a third party under the patents or other intellectual property of the third party, or a license from TI under the patents or other intellectual property of TI.

Reproduction of significant portions of TI information in TI data books or data sheets is permissible only if reproduction is without alteration and is accompanied by all associated warranties, conditions, limitations, and notices. TI is not responsible or liable for such altered documentation. Information of third parties may be subject to additional restrictions.

Resale of TI components or services with statements different from or beyond the parameters stated by TI for that component or service voids all express and any implied warranties for the associated TI component or service and is an unfair and deceptive business practice. TI is not responsible or liable for any such statements.

Buyer acknowledges and agrees that it is solely responsible for compliance with all legal, regulatory and safety-related requirements concerning its products, and any use of TI components in its applications, notwithstanding any applications-related information or support that may be provided by TI. Buyer represents and agrees that it has all the necessary expertise to create and implement safeguards which anticipate dangerous consequences of failures, monitor failures and their consequences, lessen the likelihood of failures that might cause harm and take appropriate remedial actions. Buyer will fully indemnify TI and its representatives against any damages arising out of the use of any TI components in safety-critical applications.

In some cases, TI components may be promoted specifically to facilitate safety-related applications. With such components, TI's goal is to help enable customers to design and create their own end-product solutions that meet applicable functional safety standards and requirements. Nonetheless, such components are subject to these terms.

No TI components are authorized for use in FDA Class III (or similar life-critical medical equipment) unless authorized officers of the parties have executed a special agreement specifically governing such use.

Only those TI components which TI has specifically designated as military grade or "enhanced plastic" are designed and intended for use in military/aerospace applications or environments. Buyer acknowledges and agrees that any military or aerospace use of TI components which have **not** been so designated is solely at the Buyer's risk, and that Buyer is solely responsible for compliance with all legal and regulatory requirements in connection with such use.

TI has specifically designated certain components which meet ISO/TS16949 requirements, mainly for automotive use. Components which have not been so designated are neither designed nor intended for automotive use; and TI will not be responsible for any failure of such components to meet such requirements.

### Products

|                        |  |
|------------------------|--|
| Audio                  | <a href="http://www.ti.com/audio">www.ti.com/audio</a>                               |
| Amplifiers             | <a href="http://amplifier.ti.com">amplifier.ti.com</a>                               |
| Data Converters        | <a href="http://dataconverter.ti.com">dataconverter.ti.com</a>                       |
| DLP® Products          | <a href="http://www.dlp.com">www.dlp.com</a>   |
| DSP                    | <a href="http://dsp.ti.com">dsp.ti.com</a>   |
| Clocks and Timers      | <a href="http://www.ti.com/clocks">www.ti.com/clocks</a>                             |
| Interface              | <a href="http://interface.ti.com">interface.ti.com</a>                               |
| Logic                  | <a href="http://logic.ti.com">logic.ti.com</a>                                       |
| Power Mgmt             | <a href="http://power.ti.com">power.ti.com</a>                                       |
| Microcontrollers       | <a href="http://microcontroller.ti.com">microcontroller.ti.com</a>                   |
| RFID                   | <a href="http://www.ti-rfid.com">www.ti-rfid.com</a>                                 |
| OMAP Mobile Processors | <a href="http://www.ti.com/omap">www.ti.com/omap</a>                                 |
| Wireless Connectivity  | <a href="http://www.ti.com/wirelessconnectivity">www.ti.com/wirelessconnectivity</a> |

### Applications

|                               |  |
|-------------------------------|--|
| Automotive and Transportation | <a href="http://www.ti.com/automotive">www.ti.com/automotive</a>                         |
| Communications and Telecom    | <a href="http://www.ti.com/communications">www.ti.com/communications</a>                 |
| Computers and Peripherals     | <a href="http://www.ti.com/computers">www.ti.com/computers</a>                           |
| Consumer Electronics          | <a href="http://www.ti.com/consumer-apps">www.ti.com/consumer-apps</a>                   |
| Energy and Lighting           | <a href="http://www.ti.com/energy">www.ti.com/energy</a>                                 |
| Industrial                    | <a href="http://www.ti.com/industrial">www.ti.com/industrial</a>                         |
| Medical                       | <a href="http://www.ti.com/medical">www.ti.com/medical</a>                               |
| Security                      | <a href="http://www.ti.com/security">www.ti.com/security</a>                             |
| Space, Avionics and Defense   | <a href="http://www.ti.com/space-avionics-defense">www.ti.com/space-avionics-defense</a> |
| Video and Imaging             | <a href="http://www.ti.com/video">www.ti.com/video</a>                                   |

**TI E2E Community** [e2e.ti.com](http://e2e.ti.com)