

Features

- 90%+ Efficiency
- Internal Short-Circuit Protection
- Pin-Compatible with 3-Terminal Linear Regulators
- Laser-Trimmed Output Voltage
- Over-Temperature Protection
- Small Footprint
- Wide Input Range
- 5-Pin Mount Option (Suffixes L & M)

Description

The PT5100 modules are a series of economical, easy-to-use 1-A positive step-down, Integrated Switching Regulators (ISRs). These ISRs are compatible with most TO-220 style linear regulators, and when employed as a linear replacement, provide significant benefits in both efficiency and power dissipation. They are recommended for use in a wide variety of on-board power regulation applications. These include computer, data storage, industrial controls, and battery powered equipment. Modules are laser-trimmed for optimal output voltage accuracy, and exhibit excellent line and load regulation. The PT5100 also features output current limiting and thermal shutdown protection.

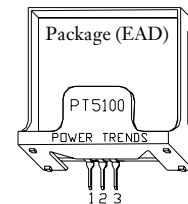
Ordering Information

PT5101 □	= +5.0 Volts
PT5102 □	= +12.0 Volts
PT5103 □	= +3.3 Volts
PT5105 □	= +6.5 Volts
PT5107 □	= +15.0 Volts
PT5109 □	= +5.6 Volts
PT5110 □	= +9.0 Volts
PT5111 □	= +10.0 Volts
PT5112 □	= +8.0 Volts

PT Series Suffix (PT1234x)

Case/Pin Configuration	Order Suffix	Package Code
Vertical	N	(EAD)
Horizontal	A	(EAA)
SMD	C	(EAC)
Horizontal, 2-pin Tab	M	(EAM)
SMD, 2-Pin Tab	L	(EAL)

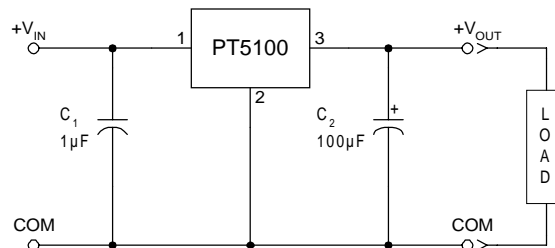
(Reference the applicable package code drawing for the dimensions and PC board layout)



Pin-Out Information

Pin	Function
1	V _{in}
2	GND
3	V _{out}

Standard Application



C₁ = Optional 1µF ceramic capacitor
C₂ = Required 100µF electrolytic

PT5100 Series

1-A Positive Step-down Integrated Switching Regulator

Specifications (Unless otherwise stated, $T_a = 25^\circ\text{C}$, $V_{in} = V_{in,min}$, $C_{out} = 100\mu\text{F}$, and $I_o = I_{o,max}$)

Characteristic	Symbol	Conditions	PT5100 SERIES			Units	
			Min	Typ	Max		
Output Current	I_o	Over V_{in} range	0.1 ⁽¹⁾	—	1.0	A	
Input Voltage Range	V_{in}	Over I_o Range	$V_o = 3.3\text{V}$	9	—	26	VDC
			$V_o = 5.0\text{V}$	9	—	38	
			$V_o > 5.0\text{V}$	$V_o + 4$	—	38	
Set Point Voltage Tolerance	$V_o\text{tol}$		—	± 1	± 2	$\%V_o$	
Temperature Variation	Reg_{temp}	$0^\circ \leq T_a \leq +60^\circ\text{C}$, $I_o = I_{o,min}$	—	± 0.5	—	$\%V_o$	
Line Regulation	Reg_{line}	Over V_{in} range	—	± 5	± 10	mV	
Load Regulation	Reg_{load}	Over I_o range	—	± 5	± 10	mV	
Total Output Voltage Variation	$\Delta V_{o,tot}$	Includes set-point, line, load, $0^\circ \leq T_a \leq +60^\circ\text{C}$	—	± 1.5	± 3	$\%V_o$	
Efficiency	η		$V_o = 15\text{V}$	—	95	—	%
			$V_o = 12\text{V}$	—	94	—	
			$V_o = 10\text{V}$	—	92	—	
			$V_o = 5.0\text{V}$	—	90	—	
			$V_o = 3.3\text{V}$	—	82	—	
V_o Ripple (pk-pk)	V_r	20MHz bandwidth	—	2	—	$\%V_o$	
Transient Response	t_{tr}	1A/ μs load step, 50% to 100% $I_{o,max}$	—	100	200	μs	
	ΔV_{tr}	V_o over/undershoot	—	± 5.0	—	$\%V_o$	
Current Limit	I_{lim}	$\Delta V_o = -1\%$	1.2	2.6	—	A	
Switching Frequency	f_s	Over V_{in} range	$V_o \geq 5.0\text{V}$	500	650	800	kHz
			$V_o \leq 3.3\text{V}$	575	725	875	
External Output Capacitance	C_{out}		100	—	—	μF	
Operating Temperature Range	T_a	Over V_{in} range	-40 ⁽²⁾	—	$+85$ ⁽³⁾	$^\circ\text{C}$	
Thermal Resistance	θ_{ja}	Free-air convection (40-60LFM)	$V_o = 3.3\text{V}$	—	45	—	$^\circ\text{C}/\text{W}$
			$V_o = 5.0\text{V}$	—	50	—	
			$V_o \geq 12\text{V}$	—	60	—	
Storage Temperature	T_s	—	-40	—	$+125$	$^\circ\text{C}$	
Reliability	MTBF	Per Bellcore TR-332 50% stress, $T_a = 40^\circ\text{C}$, ground benign	11.3	—	—	10^6 Hrs	
Mechanical Shock	—	Per Mil-Std-883D, method 2002.3, 1mS, half-sine, mounted to a fixture	—	500	—	G's	
Mechanical Vibration	—	Per Mil-Std-883D, Method 2007.2 20-2000Hz, soldered in PC board	—	5 ⁽⁴⁾	—	G's	
Weight	—	Suffixes N, A, & C	—	4.5	—	grams	
		Suffixes L & M	—	6.5	—		
Flammability	—	Materials meet UL 94V-0	—	—	—	—	

Notes: (1) The ISR will operate at no load with reduced specifications.

(2) For operation below 0°C , use a tantalum type capacitor for C_2 .

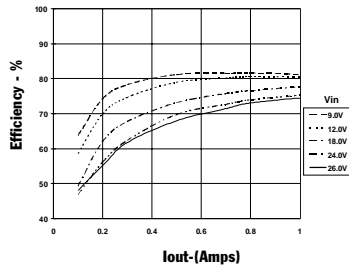
(3) See Thermal Derating curves.

(4) The tab pins on the 5-pin mount package types (suffixes L & M) must be soldered. For more information see the applicable package outline drawing.

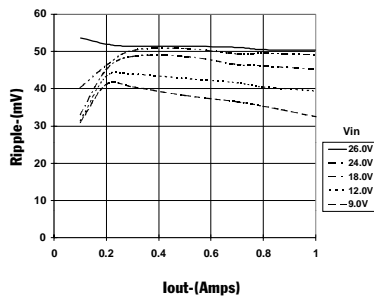
1-A Positive Step-down
Integrated Switching Regulator

PT5103, 3.3 VDC (See Note A)

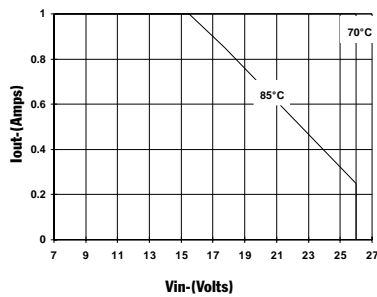
Efficiency vs Output Current



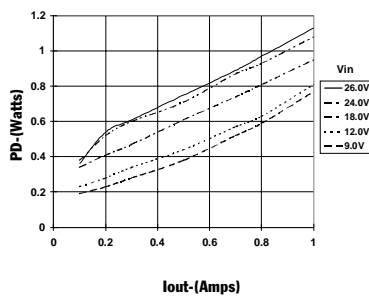
Ripple vs Output Current



Thermal Derating (T_A) (See Note B)

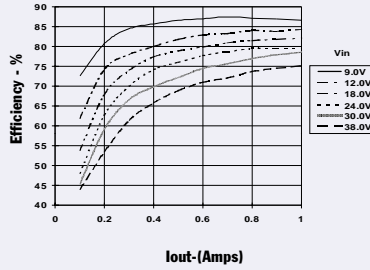


Power Dissipation vs Output Current

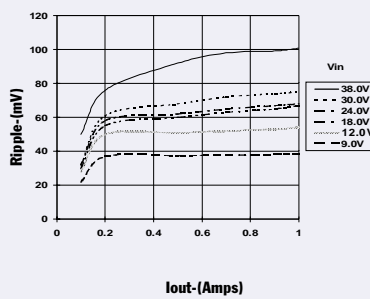


PT5101, 5.0 VDC (See Note A)

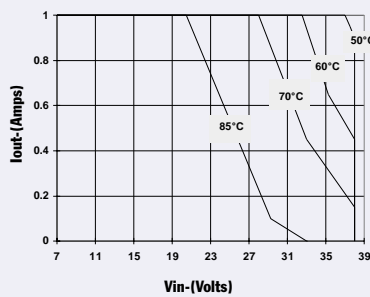
Efficiency vs Output Current



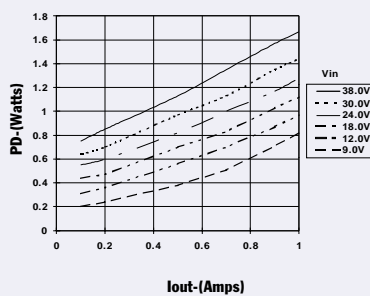
Ripple vs Output Current



Thermal Derating (T_A) (See Note B)

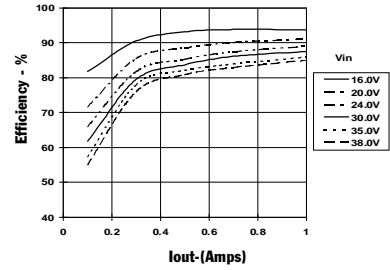


Power Dissipation vs Output Current

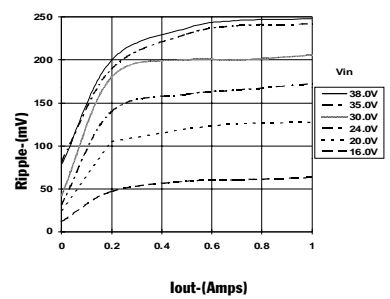


PT5102, 12.0 VDC (See Note A)

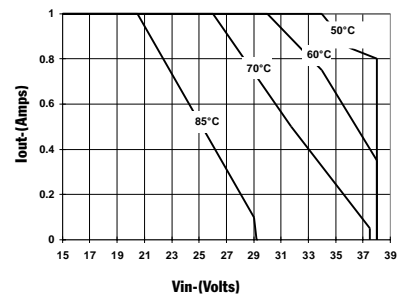
Efficiency vs Output Current



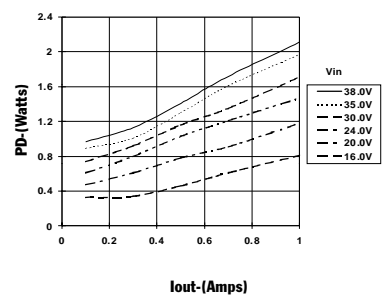
Ripple vs Output Current



Thermal Derating (T_A) (See Note B)



Power Dissipation vs Output Current



Note A: Characteristic data has been developed from actual products tested at 25°C. This data is considered typical data for the Converter.
Note B: Thermal derating graphs are developed in free-air convection cooling, which corresponds to approximately 40-60LFM of airflow.

PACKAGING INFORMATION

Orderable Device	Status (1)	Package Type	Package Drawing	Pins	Package Qty	Eco Plan (2)	Lead/Ball Finish	MSL Peak Temp (3)	Samples (Requires Login)
PT5101A	LIFEBUY	SIP MODULE	EAA	3	35	Pb-Free (RoHS)	Call TI	N / A for Pkg Type	
PT5101C	LIFEBUY	SIP MODULE	EAC	3	35	Pb-Free (RoHS)	Call TI	Level-1-215C-UNLIM	
PT5101CT	LIFEBUY	SIP MODULE	EAC	3	200	TBD	Call TI	Level-1-215C-UNLIM	
PT5101G	LIFEBUY	SIP MODULE	EAG	3	16	Pb-Free (RoHS)	Call TI	N / A for Pkg Type	
PT5101H	LIFEBUY	SIP MODULE	EAH	3	16	Pb-Free (RoHS)	Call TI	N / A for Pkg Type	
PT5101J	LIFEBUY	SIP MODULE	EAJ	3	16	Pb-Free (RoHS)	Call TI	Level-1-215C-UNLIM	
PT5101L	LIFEBUY	SIP MODULE	EAL	3	35	Pb-Free (RoHS)	Call TI	Level-1-215C-UNLIM	
PT5101M	LIFEBUY	SIP MODULE	EAM	3	35	Pb-Free (RoHS)	Call TI	N / A for Pkg Type	
PT5101N	LIFEBUY	SIP MODULE	EAD	3	35	Pb-Free (RoHS)	Call TI	N / A for Pkg Type	
PT5101S	LIFEBUY	SIP MODULE	EAF	3	16	Pb-Free (RoHS)	Call TI	N / A for Pkg Type	
PT5101U	LIFEBUY	SIP MODULE	EAU	3	35	Pb-Free (RoHS)	Call TI	N / A for Pkg Type	
PT5102A	LIFEBUY	SIP MODULE	EAA	3	35	Pb-Free (RoHS)	Call TI	N / A for Pkg Type	
PT5102C	LIFEBUY	SIP MODULE	EAC	3	35	Pb-Free (RoHS)	Call TI	Level-1-215C-UNLIM	
PT5102CT	LIFEBUY	SIP MODULE	EAC	3	200	Pb-Free (RoHS)	Call TI	Level-1-215C-UNLIM	
PT5102H	LIFEBUY	SIP MODULE	EAH	3	16	Pb-Free (RoHS)	Call TI	N / A for Pkg Type	
PT5102M	LIFEBUY	SIP MODULE	EAM	3	35	Pb-Free (RoHS)	Call TI	N / A for Pkg Type	
PT5102N	LIFEBUY	SIP MODULE	EAD	3	35	Pb-Free (RoHS)	Call TI	N / A for Pkg Type	

Orderable Device	Status (1)	Package Type	Package Drawing	Pins	Package Qty	Eco Plan (2)	Lead/Ball Finish	MSL Peak Temp (3)	Samples (Requires Login)
PT5103A	LIFEBUY	SIP MODULE	EAA	3	35	Pb-Free (RoHS)	Call TI	N / A for Pkg Type	
PT5103C	LIFEBUY	SIP MODULE	EAC	3	35	Pb-Free (RoHS)	Call TI	Level-1-215C-UNLIM	
PT5103L	LIFEBUY	SIP MODULE	EAL	3	35	Pb-Free (RoHS)	Call TI	Level-1-215C-UNLIM	
PT5103M	LIFEBUY	SIP MODULE	EAM	3	35	Pb-Free (RoHS)	Call TI	N / A for Pkg Type	
PT5103N	LIFEBUY	SIP MODULE	EAD	3	35	Pb-Free (RoHS)	Call TI	N / A for Pkg Type	
PT5105A	LIFEBUY	SIP MODULE	EAA	3	35	Pb-Free (RoHS)	Call TI	N / A for Pkg Type	
PT5105C	LIFEBUY	SIP MODULE	EAC	3	35	Pb-Free (RoHS)	Call TI	Level-1-215C-UNLIM	
PT5105N	LIFEBUY	SIP MODULE	EAD	3	35	Pb-Free (RoHS)	Call TI	N / A for Pkg Type	
PT5107A	LIFEBUY	SIP MODULE	EAA	3	35	Pb-Free (RoHS)	Call TI	N / A for Pkg Type	
PT5107C	LIFEBUY	SIP MODULE	EAC	3	35	Pb-Free (RoHS)	Call TI	Level-1-215C-UNLIM	
PT5107J	LIFEBUY	SIP MODULE	EAJ	3	16	Pb-Free (RoHS)	Call TI	Level-1-215C-UNLIM	
PT5107M	LIFEBUY	SIP MODULE	EAM	3	35	Pb-Free (RoHS)	Call TI	N / A for Pkg Type	
PT5107N	LIFEBUY	SIP MODULE	EAD	3	35	Pb-Free (RoHS)	Call TI	N / A for Pkg Type	
PT5109A	LIFEBUY	SIP MODULE	EAA	3	35	Pb-Free (RoHS)	Call TI	N / A for Pkg Type	
PT5109C	LIFEBUY	SIP MODULE	EAC	3	35	Pb-Free (RoHS)	Call TI	Level-1-215C-UNLIM	
PT5109N	LIFEBUY	SIP MODULE	EAD	3	35	Pb-Free (RoHS)	Call TI	N / A for Pkg Type	
PT5110A	LIFEBUY	SIP MODULE	EAA	3	35	Pb-Free (RoHS)	Call TI	N / A for Pkg Type	
PT5110C	LIFEBUY	SIP MODULE	EAC	3	35	Pb-Free (RoHS)	Call TI	Level-1-215C-UNLIM	

Orderable Device	Status (1)	Package Type	Package Drawing	Pins	Package Qty	Eco Plan (2)	Lead/Ball Finish	MSL Peak Temp (3)	Samples (Requires Login)
PT5110N	LIFEBUY	SIP MODULE	EAD	3	35	Pb-Free (RoHS)	Call TI	N / A for Pkg Type	
PT5111A	LIFEBUY	SIP MODULE	EAA	3	35	Pb-Free (RoHS)	Call TI	N / A for Pkg Type	
PT5111M	OBSOLETE	SIP MODULE	EAM	3		TBD	Call TI	Call TI	
PT5111N	LIFEBUY	SIP MODULE	EAD	3	35	Pb-Free (RoHS)	Call TI	N / A for Pkg Type	
PT5112A	LIFEBUY	SIP MODULE	EAA	3	35	Pb-Free (RoHS)	Call TI	N / A for Pkg Type	
PT5112C	LIFEBUY	SIP MODULE	EAC	3	35	Pb-Free (RoHS)	Call TI	Level-1-215C-UNLIM	
PT5112N	LIFEBUY	SIP MODULE	EAD	3	35	Pb-Free (RoHS)	Call TI	N / A for Pkg Type	

(1) The marketing status values are defined as follows:

ACTIVE: Product device recommended for new designs.

LIFEBUY: TI has announced that the device will be discontinued, and a lifetime-buy period is in effect.

NRND: Not recommended for new designs. Device is in production to support existing customers, but TI does not recommend using this part in a new design.

PREVIEW: Device has been announced but is not in production. Samples may or may not be available.

OBSOLETE: TI has discontinued the production of the device.

(2) Eco Plan - The planned eco-friendly classification: Pb-Free (RoHS), Pb-Free (RoHS Exempt), or Green (RoHS & no Sb/Br) - please check <http://www.ti.com/productcontent> for the latest availability information and additional product content details.

TBD: The Pb-Free/Green conversion plan has not been defined.

Pb-Free (RoHS): TI's terms "Lead-Free" or "Pb-Free" mean semiconductor products that are compatible with the current RoHS requirements for all 6 substances, including the requirement that lead not exceed 0.1% by weight in homogeneous materials. Where designed to be soldered at high temperatures, TI Pb-Free products are suitable for use in specified lead-free processes.

Pb-Free (RoHS Exempt): This component has a RoHS exemption for either 1) lead-based flip-chip solder bumps used between the die and package, or 2) lead-based die adhesive used between the die and leadframe. The component is otherwise considered Pb-Free (RoHS compatible) as defined above.

Green (RoHS & no Sb/Br): TI defines "Green" to mean Pb-Free (RoHS compatible), and free of Bromine (Br) and Antimony (Sb) based flame retardants (Br or Sb do not exceed 0.1% by weight in homogeneous material)

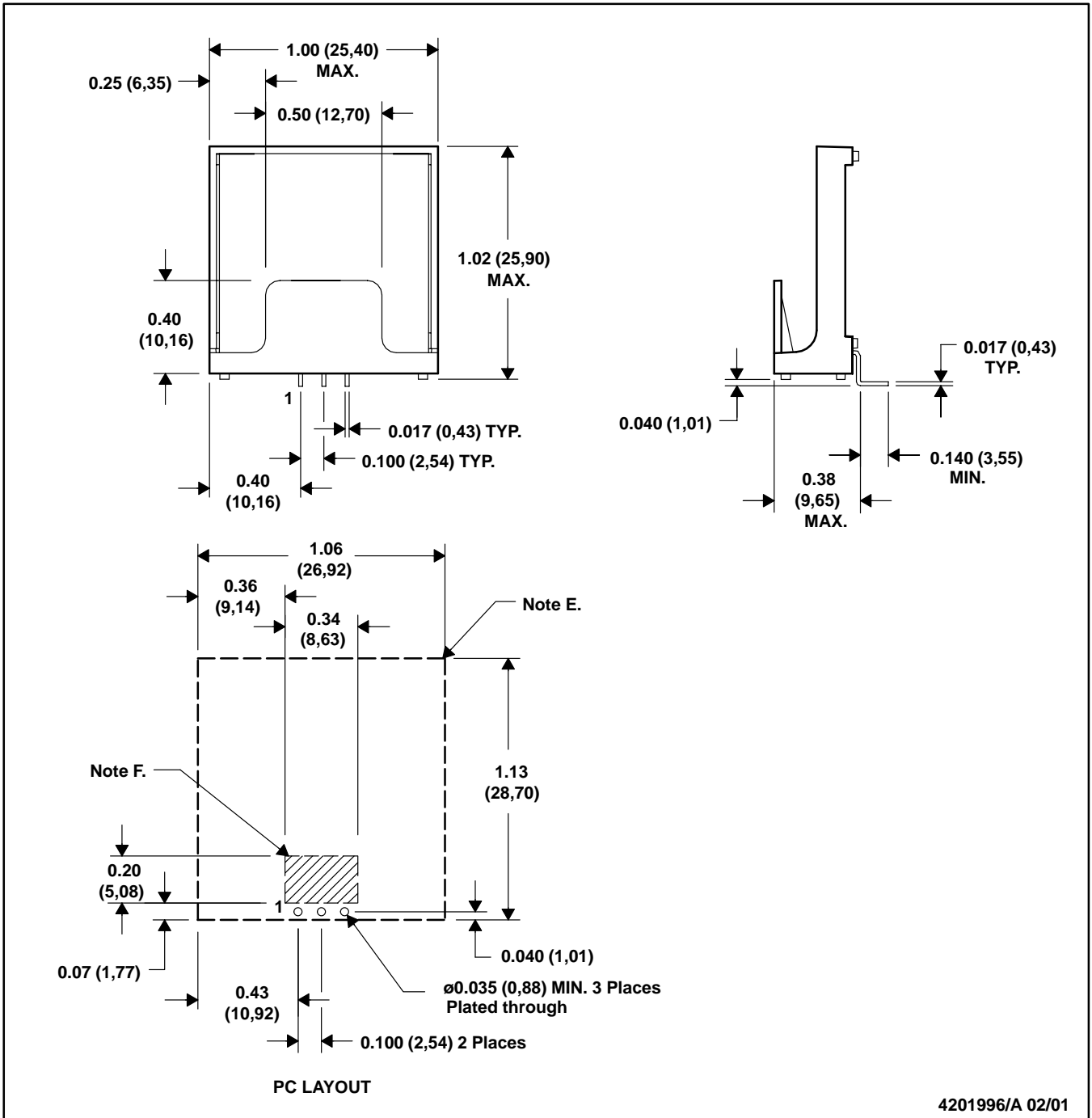
(3) MSL, Peak Temp. -- The Moisture Sensitivity Level rating according to the JEDEC industry standard classifications, and peak solder temperature.

Important Information and Disclaimer: The information provided on this page represents TI's knowledge and belief as of the date that it is provided. TI bases its knowledge and belief on information provided by third parties, and makes no representation or warranty as to the accuracy of such information. Efforts are underway to better integrate information from third parties. TI has taken and continues to take reasonable steps to provide representative and accurate information but may not have conducted destructive testing or chemical analysis on incoming materials and chemicals. TI and TI suppliers consider certain information to be proprietary, and thus CAS numbers and other limited information may not be available for release.

In no event shall TI's liability arising out of such information exceed the total purchase price of the TI part(s) at issue in this document sold by TI to Customer on an annual basis.

EAA (R-PSIP-T3)

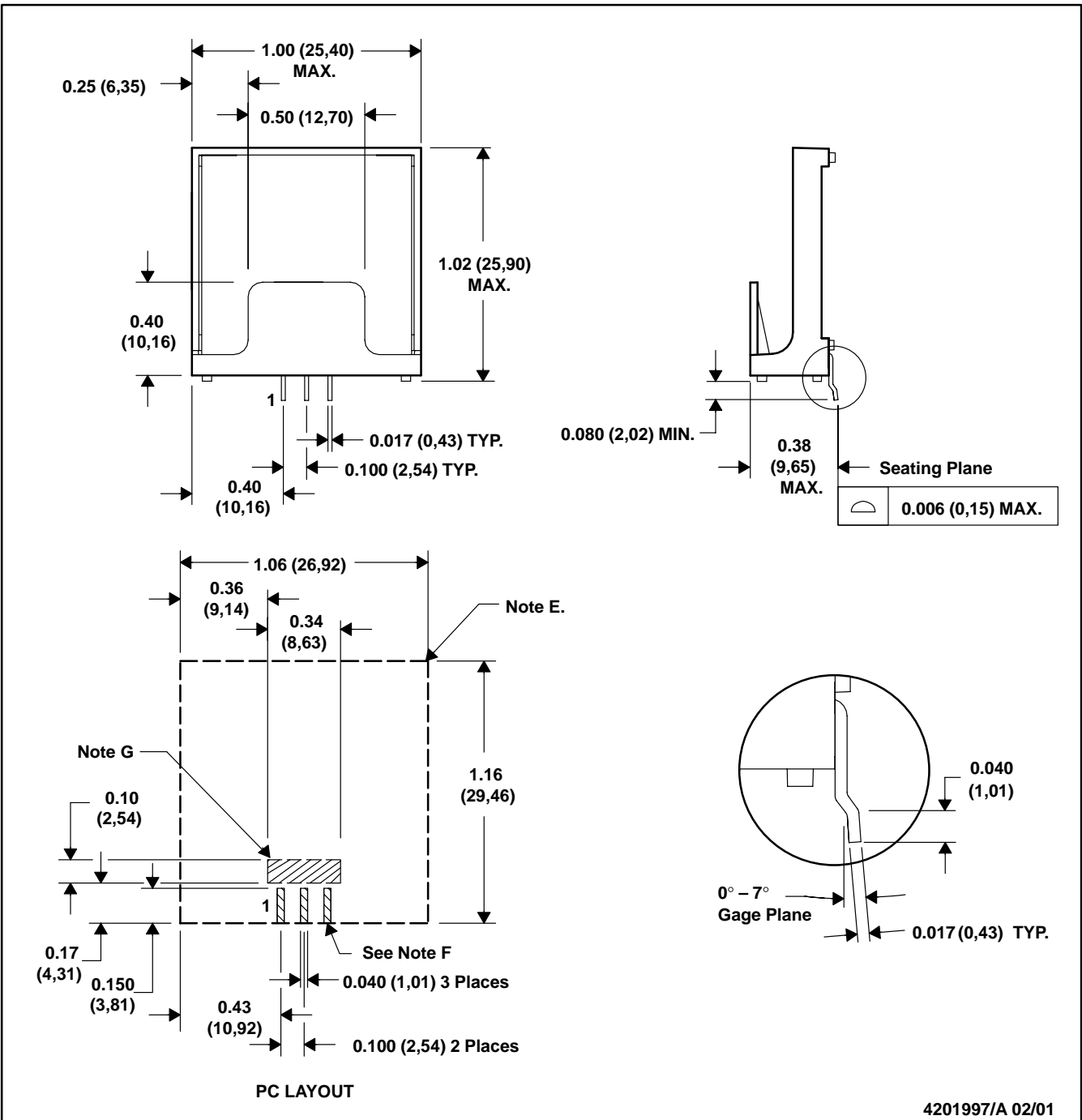
PLASTIC SINGLE-IN-LINE MODULE



- NOTES: A. All linear dimensions are in inches (mm).
 B. This drawing is subject to change without notice.
 C. 2-place decimals are ± 0.030 ($\pm 0,76$ mm).
 D. 3-place decimals are ± 0.010 ($\pm 0,25$ mm).
 E. Recommended mechanical keep-out area.
 F. No copper, power or signal traces in this area.

EAC (R-PSIP-G3)

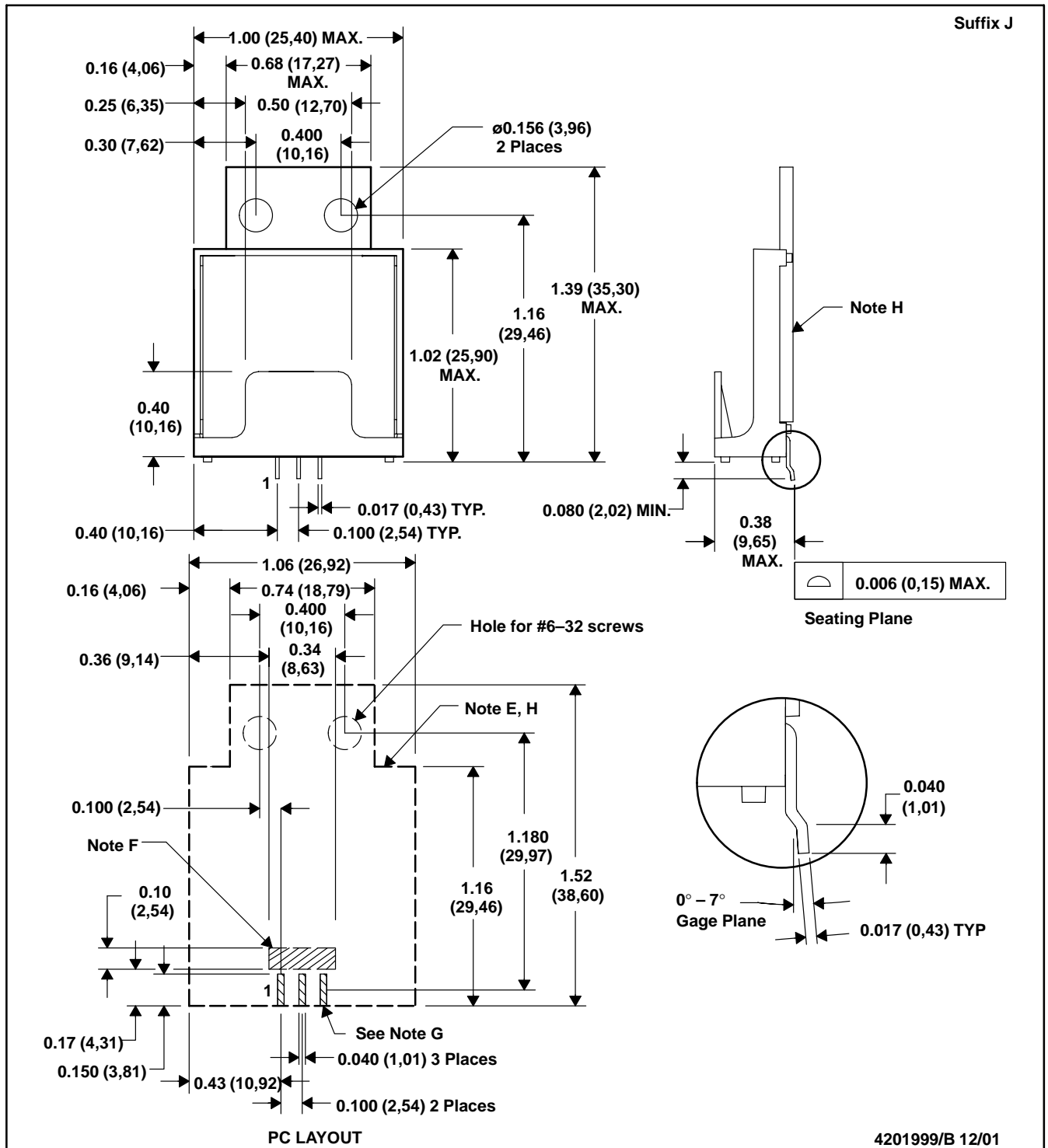
PLASTIC SINGLE-IN-LINE MODULE



- NOTES: A. All linear dimensions are in inches (mm).
 B. This drawing is subject to change without notice.
 C. 2-place decimals are ± 0.030 ($\pm 0,76$ mm).
 D. 3-place decimals are ± 0.010 ($\pm 0,25$ mm).
 E. Recommended mechanical keep-out area.
 F. Power pin connections should utilize two or more vias per input, ground and output pin.
 G. No copper, power or signal traces in this area.

EAJ (R-PSIP-G3)

PLASTIC SINGLE-IN-LINE MODULE

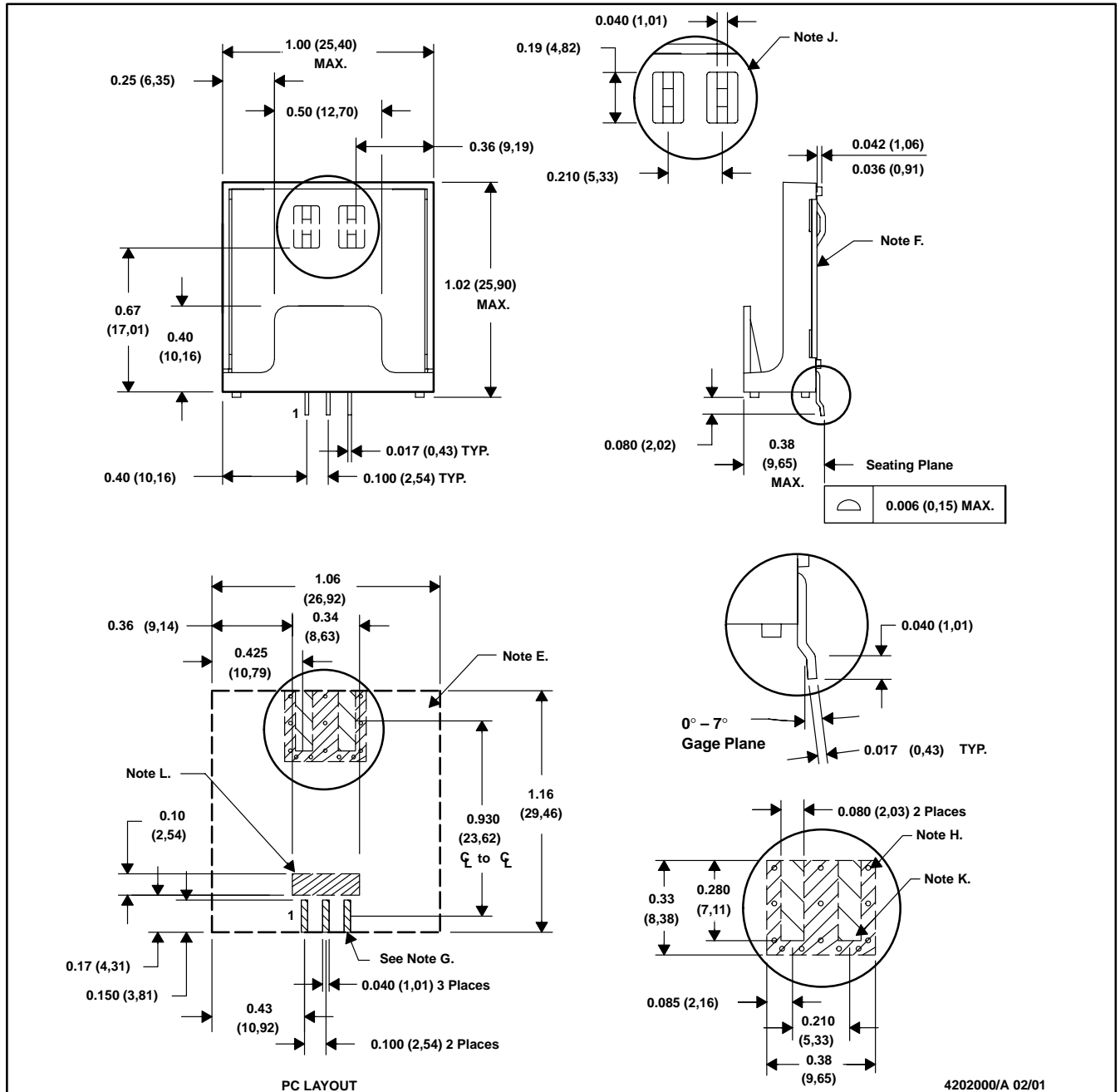


- NOTES:
- A. All linear dimensions are in inches (mm).
 - B. This drawing is subject to change without notice.
 - C. 2-place decimals are ± 0.030 (± 0.76 mm).
 - D. 3-place decimals are ± 0.010 (± 0.25 mm).
 - E. Recommended mechanical keep-out area.
 - F. No copper, power or signal traces in this area.

- G. Power pin connections should utilize two or more vias per input, ground and output pin.
- H. The metal tab is isolated but electrically conductive. No signal traces are allowed under the metal tab area. A solid copper island is recommended, which may be grounded.

EAL (R-PSIP-G3)

PLASTIC SINGLE-IN-LINE MODULE

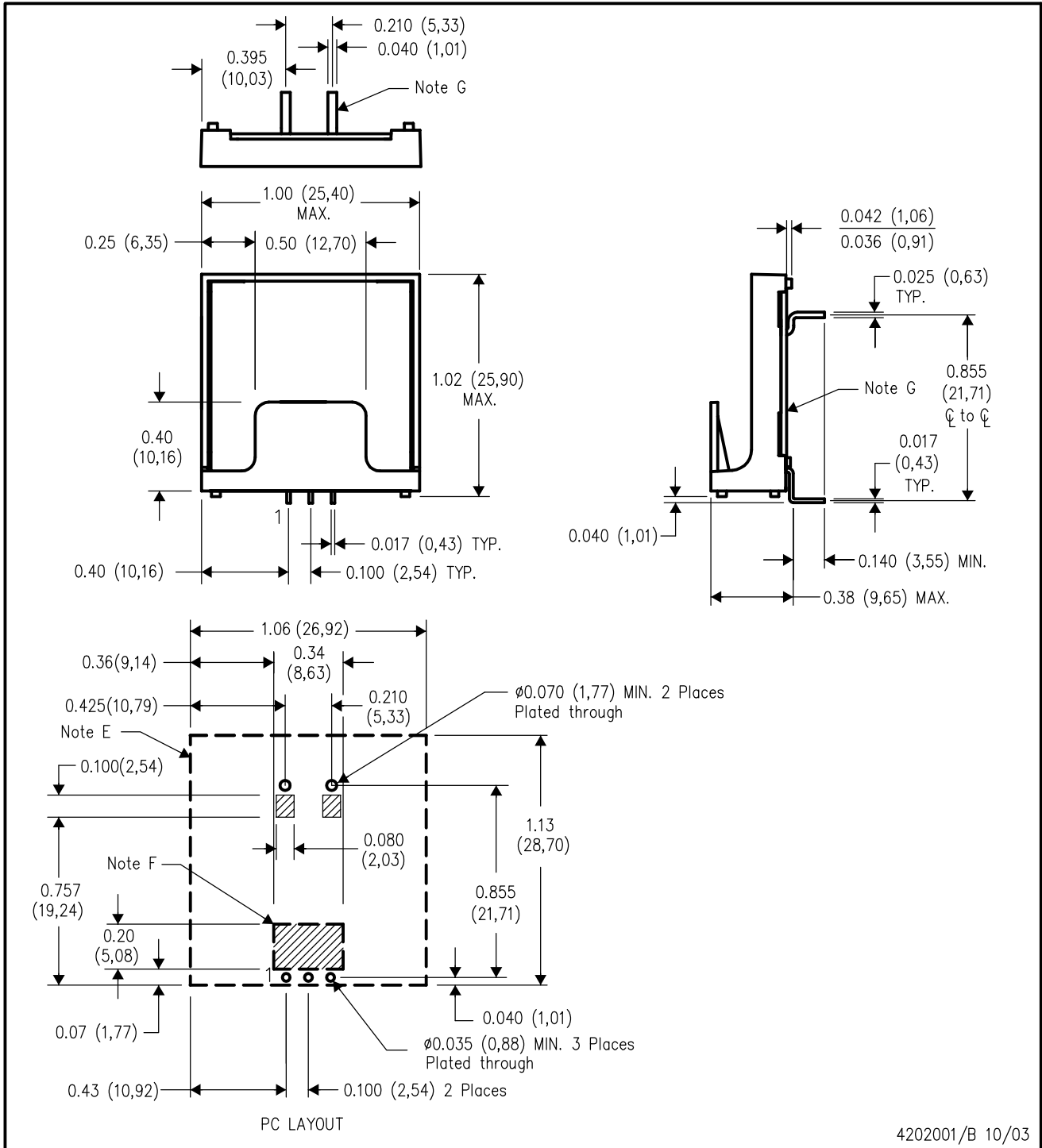


- NOTES:
- A. All linear dimensions are in inches (mm).
 - B. This drawing is subject to change without notice.
 - C. 2-place decimals are ± 0.030 ($\pm 0,76$ mm).
 - D. 3-place decimals are ± 0.010 ($\pm 0,25$ mm).
 - E. Recommended mechanical keep-out area.
 - F. The metal tab is isolated but electrically conductive. No signal traces are allowed under the metal tab area. A solid copper island is recommended, which may be grounded.
 - G. Power pin connections should utilize two or more vias per input, ground and output pin.

- H. Minimum copper land area required for solder tab. Vias are recommended to improve copper adhesion or connect land to other ground area.
- J. Underside solder tabs detail
- K. Solder mask openings to copper island for solder joints to mechanical pins.
- L. No copper, power or signal traces in this area.

EAM (R-PSIP-T3)

PLASTIC SINGLE-IN-LINE MODULE

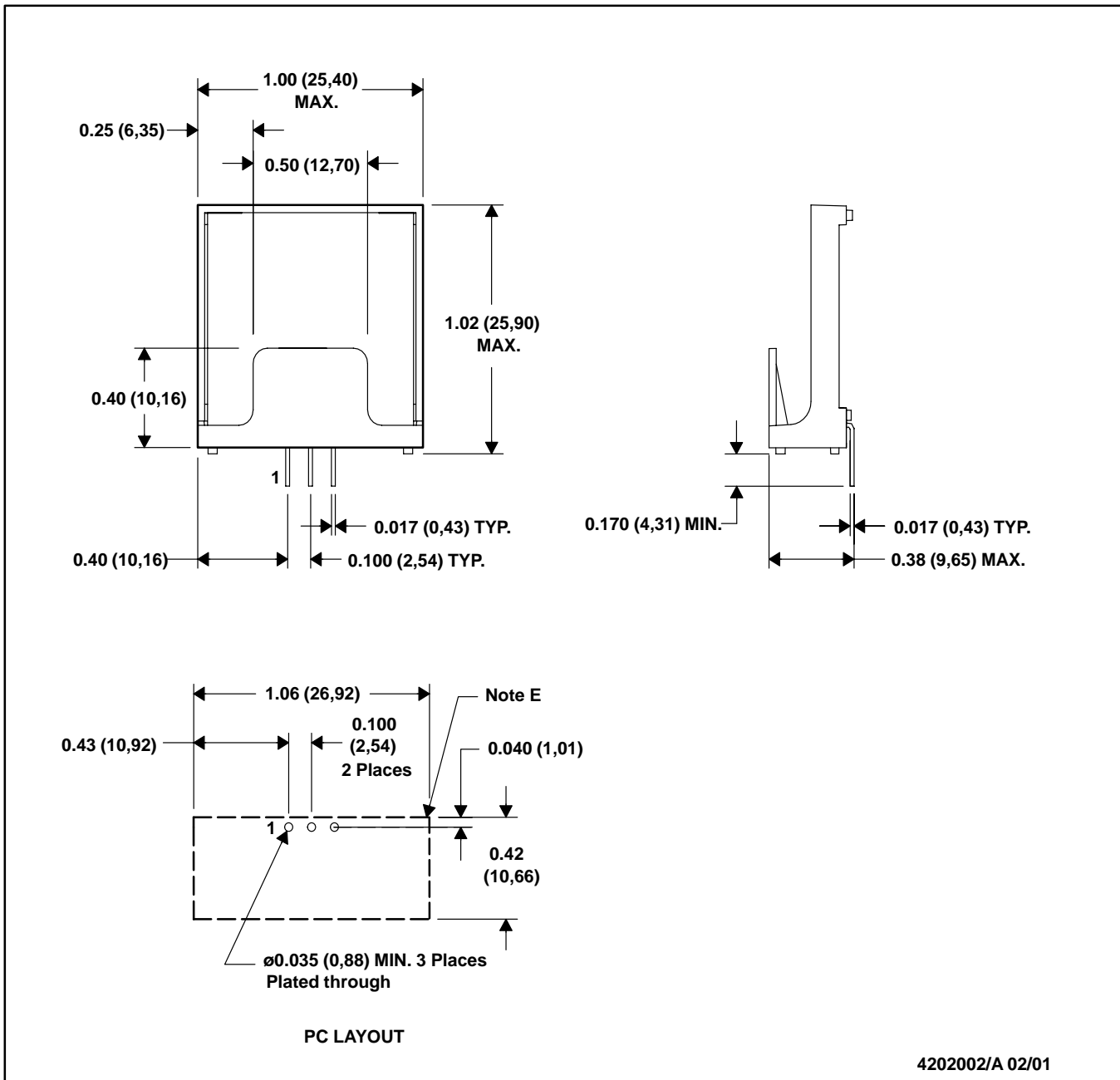


4202001/B 10/03

- NOTES:
- A. All linear dimensions are in inches (mm).
 - B. This drawing is subject to change without notice.
 - C. 2 place decimals are ± 0.030 ($\pm 0,76$ mm).
 - D. 3 place decimals are ± 0.010 ($\pm 0,25$ mm).
 - E. Recommended mechanical keep out area.
 - F. No copper, power or signal traces in this area.
 - G. The metal tab is isolated but electrically conductive, No signal traces are allowed under the metal tab area. A solid copper island is recommended, which may be grounded to the two underside pins.

EAD (R-PSIP-T3)

PLASTIC SINGLE-IN-LINE MODULE

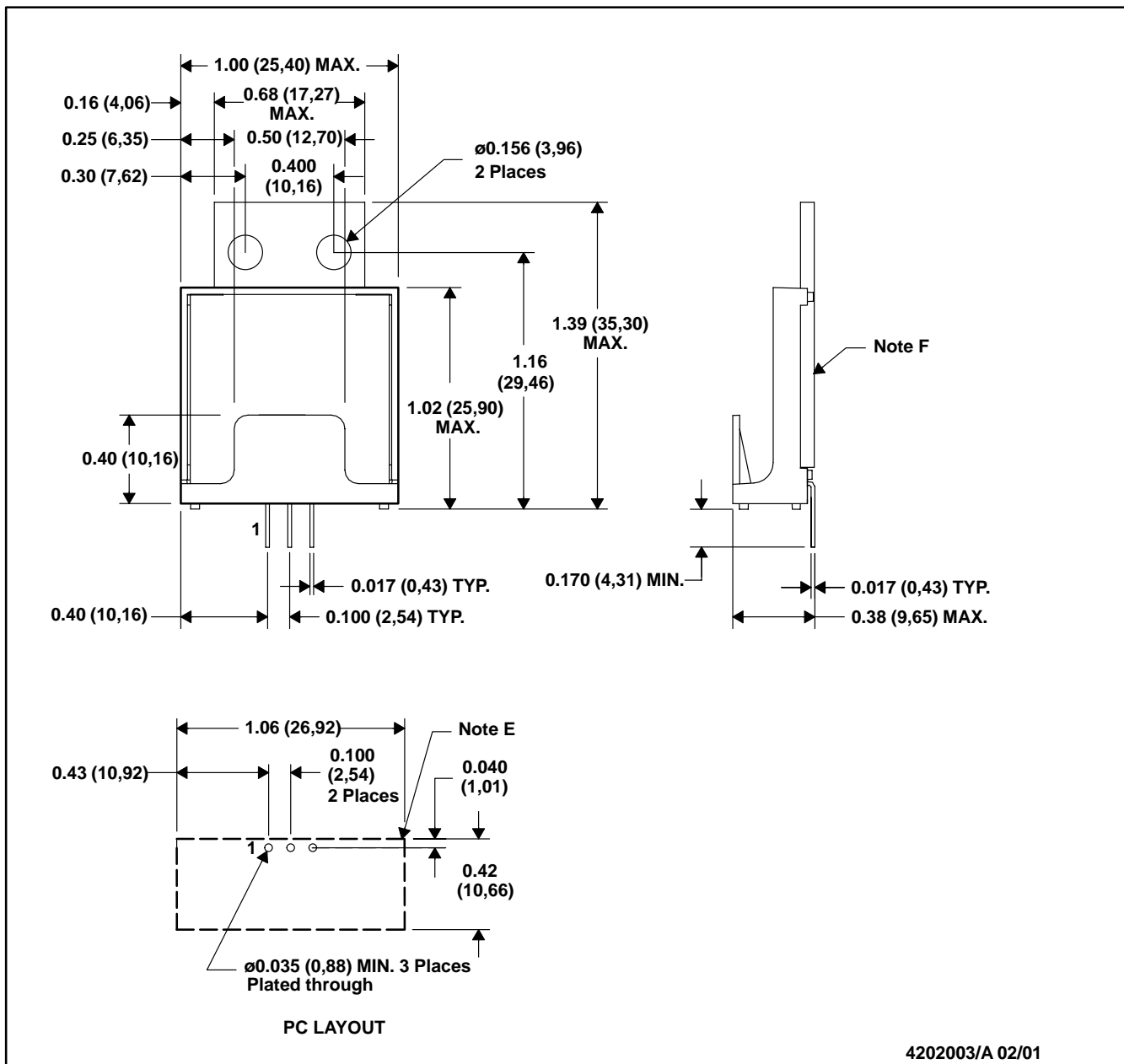


- NOTES: A. All linear dimensions are in inches (mm).
 B. This drawing is subject to change without notice.
 C. 2-place decimals are ± 0.030 ($\pm 0,76$ mm).
 D. 3-place decimals are ± 0.010 ($\pm 0,25$ mm).
 E. Recommended mechanical keep-out area.

4202002/A 02/01

EAF (R-PSIP-T3)

PLASTIC SINGLE-IN-LINE MODULE

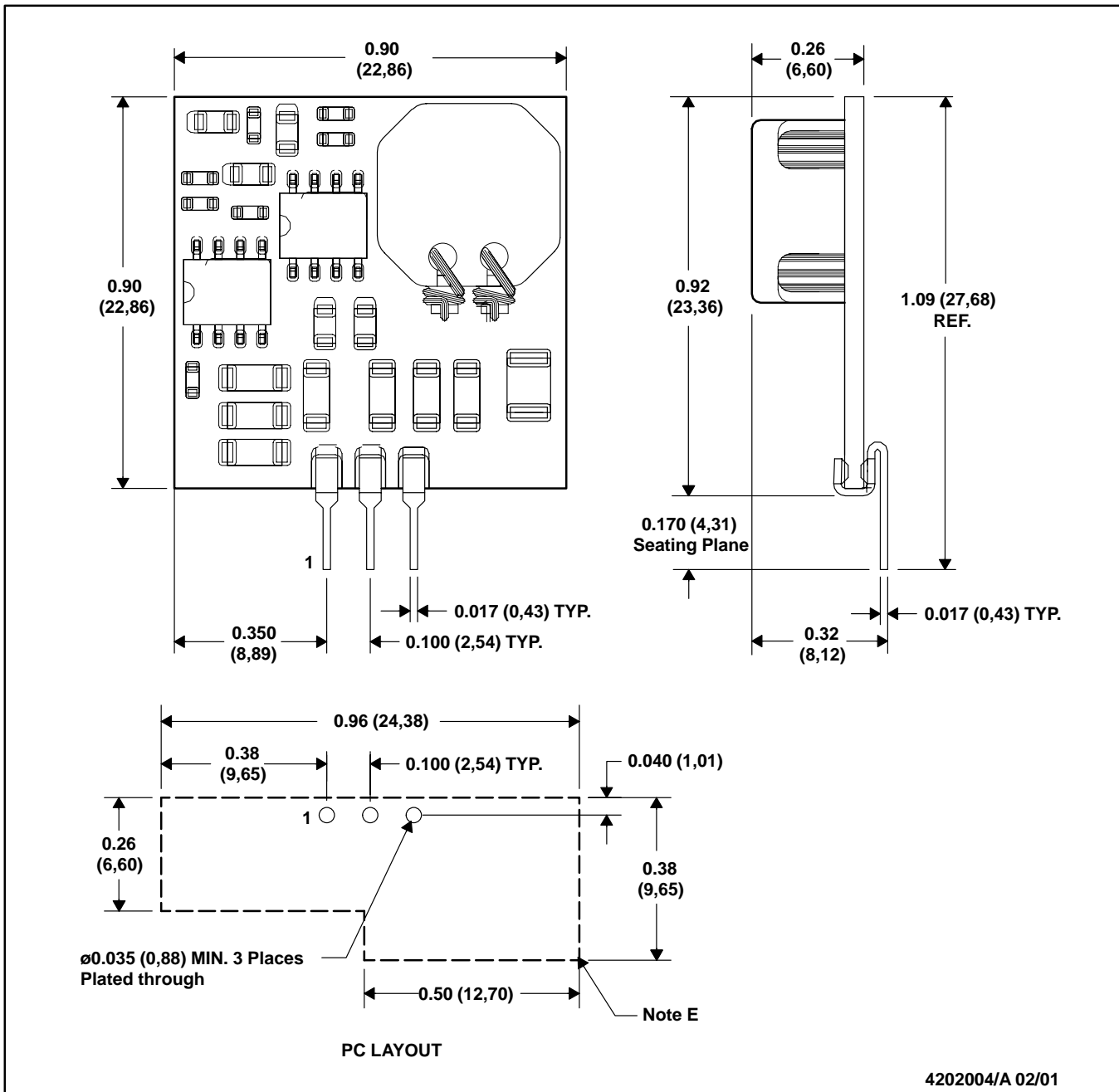


- NOTES: A. All linear dimensions are in inches (mm).
 B. This drawing is subject to change without notice.
 C. 2-place decimals are ± 0.030 ($\pm 0,76$ mm).
 D. 3-place decimals are ± 0.010 ($\pm 0,25$ mm).
 E. Recommended mechanical keep-out area.
 F. The metal tab is isolated but electrically conductive, it can be grounded.

4202003/A 02/01

EAU (S-PSIP-T3)

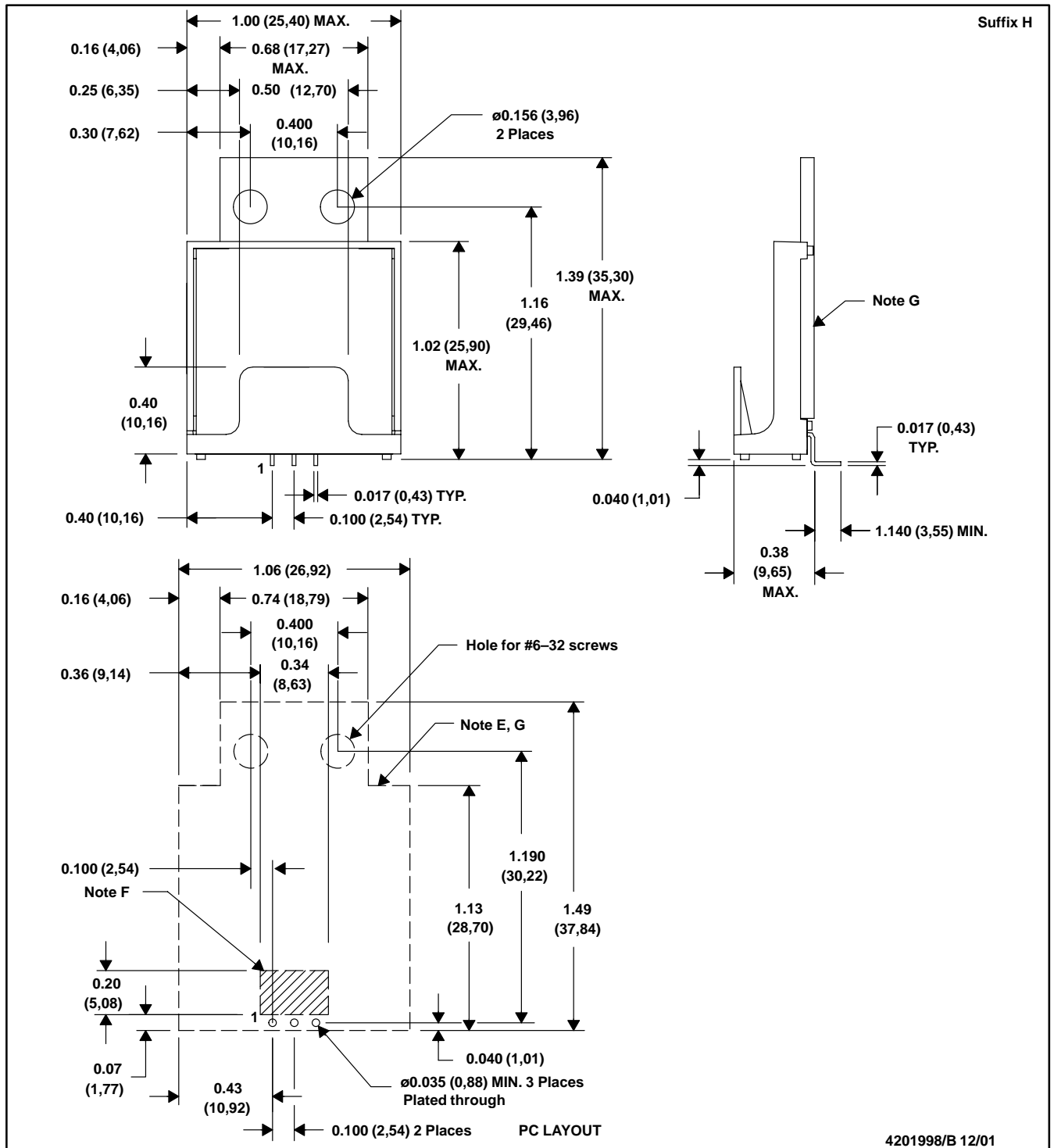
PLASTIC SINGLE-IN-LINE MODULE



- NOTES: A. All linear dimensions are in inches (mm).
 B. This drawing is subject to change without notice.
 C. 2-place decimals are ± 0.030 ($\pm 0,76$ mm).
 D. 3-place decimals are ± 0.010 ($\pm 0,25$ mm).
 E. Recommended mechanical keep-out area.

EAH (R-PSIP-T3)

PLASTIC SINGLE-IN-LINE MODULE



- NOTES:
- A. All linear dimensions are in inches (mm).
 - B. This drawing is subject to change without notice.
 - C. 2-place decimals are ± 0.030 ($\pm 0,76$ mm).
 - D. 3-place decimals are ± 0.010 ($\pm 0,25$ mm).
 - E. Recommended mechanical keep-out area.
 - F. No copper, power or signal traces in this area.
 - G. The metal tab is isolated but electrically conductive. No signal traces are allowed under the metal tab area. A solid copper island is recommended, which may be grounded.

IMPORTANT NOTICE

Texas Instruments Incorporated and its subsidiaries (TI) reserve the right to make corrections, enhancements, improvements and other changes to its semiconductor products and services per JESD46, latest issue, and to discontinue any product or service per JESD48, latest issue. Buyers should obtain the latest relevant information before placing orders and should verify that such information is current and complete. All semiconductor products (also referred to herein as "components") are sold subject to TI's terms and conditions of sale supplied at the time of order acknowledgment.

TI warrants performance of its components to the specifications applicable at the time of sale, in accordance with the warranty in TI's terms and conditions of sale of semiconductor products. Testing and other quality control techniques are used to the extent TI deems necessary to support this warranty. Except where mandated by applicable law, testing of all parameters of each component is not necessarily performed.

TI assumes no liability for applications assistance or the design of Buyers' products. Buyers are responsible for their products and applications using TI components. To minimize the risks associated with Buyers' products and applications, Buyers should provide adequate design and operating safeguards.

TI does not warrant or represent that any license, either express or implied, is granted under any patent right, copyright, mask work right, or other intellectual property right relating to any combination, machine, or process in which TI components or services are used. Information published by TI regarding third-party products or services does not constitute a license to use such products or services or a warranty or endorsement thereof. Use of such information may require a license from a third party under the patents or other intellectual property of the third party, or a license from TI under the patents or other intellectual property of TI.

Reproduction of significant portions of TI information in TI data books or data sheets is permissible only if reproduction is without alteration and is accompanied by all associated warranties, conditions, limitations, and notices. TI is not responsible or liable for such altered documentation. Information of third parties may be subject to additional restrictions.

Resale of TI components or services with statements different from or beyond the parameters stated by TI for that component or service voids all express and any implied warranties for the associated TI component or service and is an unfair and deceptive business practice. TI is not responsible or liable for any such statements.

Buyer acknowledges and agrees that it is solely responsible for compliance with all legal, regulatory and safety-related requirements concerning its products, and any use of TI components in its applications, notwithstanding any applications-related information or support that may be provided by TI. Buyer represents and agrees that it has all the necessary expertise to create and implement safeguards which anticipate dangerous consequences of failures, monitor failures and their consequences, lessen the likelihood of failures that might cause harm and take appropriate remedial actions. Buyer will fully indemnify TI and its representatives against any damages arising out of the use of any TI components in safety-critical applications.

In some cases, TI components may be promoted specifically to facilitate safety-related applications. With such components, TI's goal is to help enable customers to design and create their own end-product solutions that meet applicable functional safety standards and requirements. Nonetheless, such components are subject to these terms.

No TI components are authorized for use in FDA Class III (or similar life-critical medical equipment) unless authorized officers of the parties have executed a special agreement specifically governing such use.

Only those TI components which TI has specifically designated as military grade or "enhanced plastic" are designed and intended for use in military/aerospace applications or environments. Buyer acknowledges and agrees that any military or aerospace use of TI components which have **not** been so designated is solely at the Buyer's risk, and that Buyer is solely responsible for compliance with all legal and regulatory requirements in connection with such use.

TI has specifically designated certain components as meeting ISO/TS16949 requirements, mainly for automotive use. In any case of use of non-designated products, TI will not be responsible for any failure to meet ISO/TS16949.

Products

Audio	www.ti.com/audio
Amplifiers	amplifier.ti.com
Data Converters	dataconverter.ti.com
DLP® Products	www.dlp.com
DSP	dsp.ti.com
Clocks and Timers	www.ti.com/clocks
Interface	interface.ti.com
Logic	logic.ti.com
Power Mgmt	power.ti.com
Microcontrollers	microcontroller.ti.com
RFID	www.ti-rfid.com
OMAP Applications Processors	www.ti.com/omap
Wireless Connectivity	www.ti.com/wirelessconnectivity

Applications

Automotive and Transportation	www.ti.com/automotive
Communications and Telecom	www.ti.com/communications
Computers and Peripherals	www.ti.com/computers
Consumer Electronics	www.ti.com/consumer-apps
Energy and Lighting	www.ti.com/energy
Industrial	www.ti.com/industrial
Medical	www.ti.com/medical
Security	www.ti.com/security
Space, Avionics and Defense	www.ti.com/space-avionics-defense
Video and Imaging	www.ti.com/video

TI E2E Community

e2e.ti.com