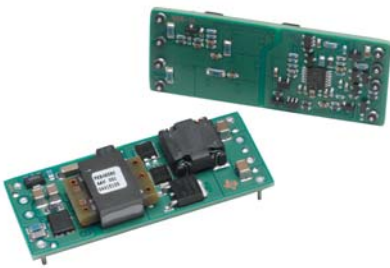


PTB48580 Series

Dual Complementary-Output
DC/DC Converter for DSL

SLTS240 DECEMBER 2004



Features

- Dual Complementary Outputs ($\pm 5\text{ V}$, $\pm 12\text{ V}$)
- Input Voltage Range: 36 V to 75 V
- On/Off Enable for Sequencing
- 1500 VDC Isolation
- Over-Current Protection
- Over-Temperature Shutdown
- Under-Voltage Lockout
- Temp Range: -40 to $+85\text{ }^\circ\text{C}$
- Industry Standard Outline
- Fixed Frequency Operation
- Synchronizes with PTB48500
- Powers line driver ICs for AC-7 and other xDSL chipsets
- Safety Approvals: (Pending): EN60950
UL/cUL60950

Description

The PTB48580 series of isolated DC/DC converter modules produce a complementary pair of regulated supply voltages for powering line-driver ICs in xDSL telecom applications. The modules operate from a standard telecom (-48 V) central office (CO) supply and can provide up to a 30 W of power in a balanced load configuration.

The A-suffix module ($\pm 5\text{ V}$) is designed to power the line driver ICs for the AC-7 ADSL chipset. Other voltage options will power other analog applications requiring a complementary supply with relatively balanced loads. The outputs can also be easily configured for single-ended use.

The modules incorporate an On/Off enable control, output current limit, over-temperature protection, and input

under-voltage lockout (UVLO) as standard features.

The control inputs, “Enable” and “Sync In,” are compatible with the “EN Out” and “Sync Out” signals of the PTB48500 DC/DC converter. This allows the power-up and switching frequency of the PTB48580 series to be directly controlled from a PTB48500. Together a PTB48500 and a PTB48580A converter meet all the system power and sequencing requirements of an AC-7 ADSL chipset.

The PTB48580 series uses double-sided surface mount construction. The package size is based on an industry standard outline and does not require a heatsink. Both through-hole and surface mount pin configurations are available.

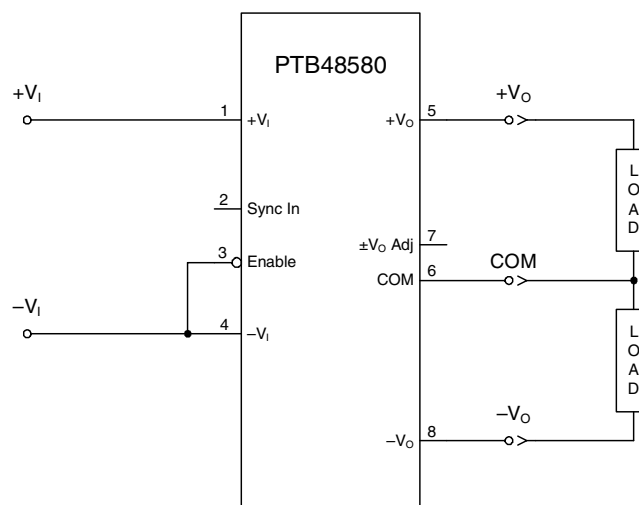
Pin Configuration

Pin	Function
1	$+V_I$
2	Sync In
3	Enable*
4	$-V_I$
5	$+V_O$
6	COM
7	V_O Adjust
8	$-V_O$

Shaded functions indicate signals that are referenced to $-V_I$.

* Denotes negative logic:
Open = Outputs Off
 $-V_I$ = Normal operation

Stand-Alone Application



PTB48580 Series

Dual Complementary-Output
DC/DC Converter for DSL

SLTS240 DECEMBER 2004

Ordering Information

Base Pt. No. (PTB48580xxx)		Output Voltage (PTB48580□xx)		Package Options (PT48580x□□)		
Order Prefix	Description	Code	Voltage	Code	Description	Pkg Ref. (1)
PTB48580xxx	Basic Model	A	±5 V	AH	Horiz. T/H	(ERV)
		B	±12 V	AS	SMD, Standard (2)	(ERS)

Notes: (1) Reference the applicable package reference drawing for the dimensions and PC board layout
(2) "Standard" option specifies 63/37, Sn/Pb pin solder material.

Pin Descriptions

+V_I: The positive input supply for the module with respect to $-V_I$. When powering the module from a -48 V telecom central office supply, this input is connected to the primary system ground.

-V_I: The negative input supply for the module, and the 0 VDC reference for the 'Enable*', and 'Sync In' signals. When the module is powered from a $+48$ -V supply, this input is connected to the 48-V Return.

+V_O: The positive output supply voltage, which is referenced to the 'COM' node. The voltage at '+V_O' has the same magnitude, but is the complement to that at '-V_O'.

-V_O: The negative output supply voltage, which is referenced to the 'COM' node. The voltage at '-V_O' has the same magnitude, but is the complement to that at '+V_O'.

COM: The secondary return reference for the module's regulated output voltages. This node is dc isolated from the input supply pins.

±V_O Adjust: Using a single resistor, this pin allows the magnitude of both '+V_O' and '-V_O' to be adjusted together, either higher or lower than their preset value. If not used, this pin should be left open circuit.

Enable*: This is an open-collector (open-drain) negative logic input that enables the module output. This pin is referenced to $-V_I$. A logic '0' at this pin enables the module's outputs, and a high impedance disables the outputs. If this feature is not used the pin should be connected to $-V_I$. *Note: Connecting this input directly to the "EN Out" pin of the PTB4850x enables the output voltages from both converters (PTB4850x and PTB48580) to power up in sequence.*

Sync In: This pin is used when the PTB48580 and PTB4850x DC/DC converter modules are used together. Connecting this pin to the 'Sync Out' of the PTB4850x module allows the PTB48580 to be synchronized to the same switch conversion frequency as the PTB4850x.

Environmental and General Specifications (Unless otherwise stated, all voltages are with respect to $-V_I$)

Characteristics	Symbols	Conditions	Min	Typ	Max	Units
Input Voltage Range	V _I	Over output load range	36	48	75	VDC
Isolation Voltage		Input-output/input-case	1500	—	—	V
Capacitance		Input to output	—	1500	—	pF
Resistance		Input to output	10	—	—	MΩ
Operating Temperature Range	T _A	Over V _I Range	-40	—	+85	°C
Over-Temperature Protection	OTP	Shutdown threshold	—	115 ⁽ⁱ⁾	—	°C
		Hysteresis	—	10	—	—
Solder Reflow Temperature	T _{REFLOW}	Surface temperature of module body or pins	—	—	235 ⁽ⁱⁱ⁾	°C
Storage Temperature	T _S	—	-40	—	125	°C
Mechanical Shock		Per Mil-STD-883D, Method 2002.3 1 msec, ½ Sine, mounted	—	500	—	G's
Mechanical Vibration		Mil-STD-883D, Method 2007.2 20-2000 Hz	T/H SMD	— 20 5	— —	G's
Weight	—	—	—	13.5	—	grams
Flammability	—	Meets UL 94V-O	—	—	—	—

Notes: (i) This parameter is guaranteed by design
(ii) During reflow of SMD package version do not elevate peak temperature of the module, pins or internal components above the stated maximum.

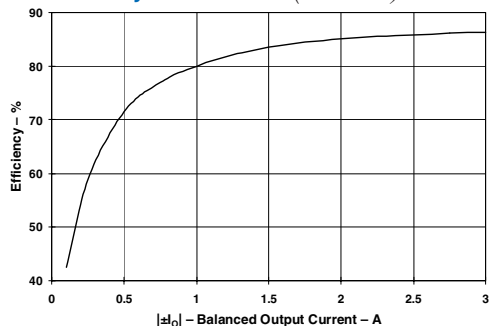
Specifications (Unless otherwise stated, $T_A = 25^\circ\text{C}$, $V_I = 48\text{ V}$, $C_I = 0\text{ }\mu\text{F}$, $\pm C_O = 0\text{ }\mu\text{F}$, $|+I_O| = |-I_O|$, and $|\pm I_O| = 0.5 |\pm I_O|_{\text{max}}$)

Characteristic	Symbol	Conditions	PTB48580A			Units
			Min	Typ	Max	
Output Power	P_O	Total output power from $\pm V_O$	0	—	30 ⁽¹⁾	W
Output Current	$ \pm I_O $	Over V_I range, $ +I_O - -I_O \leq 0.1\text{ A}$	0	—	3 ⁽²⁾	A
Output Load Imbalance	$ +I_O - -I_O $	$ +I_O \geq 0.1\text{ A}$, $ -I_O \geq 0.1\text{ A}$	0	—	1 ⁽³⁾	A
Output Voltage	$\pm V_O$	Includes set-point, line, $ +I_O - -I_O \leq 0.1\text{ A}$ $-40 \leq T_A \leq +85^\circ\text{C}$	4.75 ⁽²⁾	5	5.25 ⁽²⁾	V
Temperature Variation	$\Delta\text{Reg}_{\text{temp}}$	$-40 \leq T_A \leq +85^\circ\text{C}$, $ \pm I_O = 0.1\text{ A}$	$\pm V_O$	—	± 1	$\%V_O$
Line Regulation	$\Delta\text{Reg}_{\text{line}}$	Over V_I range, balanced load	$\pm V_O$	—	± 0.1	$\%V_O$
Load Regulation	$\Delta\text{Reg}_{\text{load}}$	Over $\pm I_O$ range, balanced load	$\pm V_O$	—	± 0.2	$\%V_O$
Efficiency	η	$P_O = P_{O\text{max}}$	—	86	—	%
V_O Ripple (pk-pk)	$\pm V_r$	20 MHz bandwidth, $C_O = 10\text{ }\mu\text{F}$ tantalum capacitor	—	25	50 ⁽⁴⁾	mV _{pp}
Transient Response	t_S	0.1 A/ μs load step, 50% to 75% $\pm I_{O\text{max}}$	—	30	—	μs
	ΔV_O pk	$\pm V_O$ over/undershoot	—	± 1	—	$\%V_O$
Over Current Threshold	$I_{O\text{trip}}$	$V_I = 36\text{ V}$ reset followed by auto-recovery	3.3	4.3	5.3	A
Short Circuit Current		Continuous over-current trip, $ +I_O = -I_O $	$\frac{ \pm I_O _{\text{PK}}}{\text{Duty}}$	—	6.5	A
				10	—	%
Output Voltage Adjust Range	$ \pm V_O _{\text{adj}}$	$+V_O$ and $-V_O$ adjust simultaneously	3.5	—	6 ⁽⁵⁾	V
Switching Frequency	f_S	Over V_I and I_O ranges	440	470 ⁽⁶⁾	500	kHz
Under-Voltage Lockout	$V_{I\text{on}}$ $V_{I\text{off}}$	V_I increasing V_I decreasing	—	33 32	—	V
On/Off Enable (pin 3)		Referenced to $-V_I$ (pin 4)				
Input High Voltage	V_{IH}		+3.6	—	+75 ⁽⁷⁾	V
Input Low Voltage	V_{IL}		-0.2	—	+0.8	
Input Low Current	I_{IL}		—	—	-1	mA
Standby Input Current	I_I standby	pin 3 open circuit	—	2	—	mA
Start-up Time	t_{ON}	$ +I_O = 1\text{ A}$, $ \pm V_O $ rising 0 to 0.95 $ \pm V_O _{\text{TYP}}$	—	10	—	ms
Internal Input Capacitance	C_I		—	2	—	μF
External Output Capacitance	C_O	Capacitance from either output to COM (pin 6)	0	—	2,000 ⁽⁸⁾	μF
Reliability	MTBF	Per Telcordia SR-332 50% stress, $T_A = 40^\circ\text{C}$, ground benign	2.8	—	—	10^6 Hrs

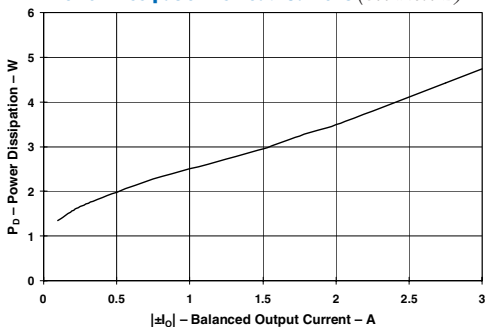
- Notes:**
- (1) See Safe Operating Area curves or contact the factory for the appropriate derating.
 - (2) Under balanced load conditions, load current flowing out of $+V_O$ is balanced to within $\pm 0.1\text{ A}$ of that flowing into $-V_O$.
 - (3) A load imbalance is the difference in current flowing from $+V_O$ to $-V_O$. The module can operate with a higher imbalance but with reduced specifications.
 - (4) Output voltage ripple is measured with a $10\text{ }\mu\text{F}$ tantalum capacitor connected from $+V_O$ (pin 5) or $-V_O$ (pin 8), to COM (pin 6).
 - (5) When the output voltage is adjusted higher than the nominal output voltage the load current must not exceed the module's maximum power rating.
 - (6) This is the free-running frequency. The module can be made to synchronize with the PTB48500 when both modules are used together in a system.
 - (7) The On/Off Enable (pin 3) has an internal pull-up and may be controlled with an open-collector (or open-drain) transistor. The input is diode protected and may be connected to $+V_I$. The open-circuit voltage is 7 V max. If it is left open circuit the converter will operate when input power is applied.
 - (8) Electrolytic capacitors with very low equivalent series resistance (ESR) may induce instability when used on the output. Consult the factory before using capacitors with organic, or polymer-aluminum type electrolytes.

PTB48580A Characteristic Data @ $V_I = 48\text{ V}$ (See Notes A)

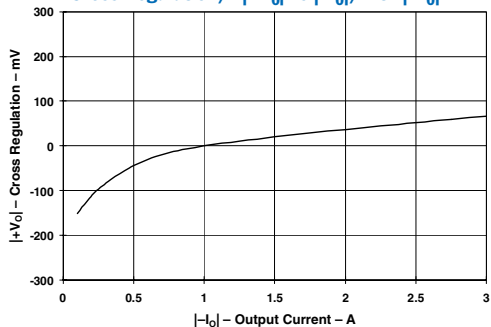
Efficiency vs Load Current (See Note B)



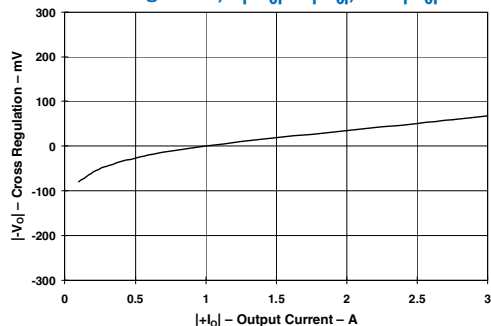
Power Dissipation vs Load Current (See Note B)



Cross Regulation, $\Delta|+V_O|$ vs $|-I_O|$, with $|+I_O| = 1\text{ A}$

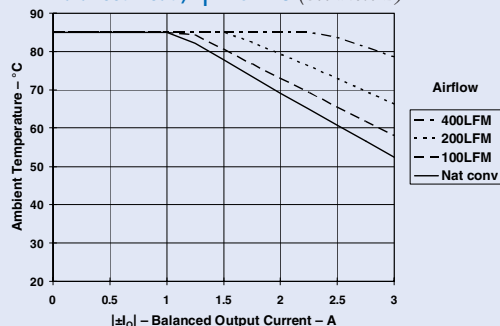


Cross Regulation, $\Delta|-V_O|$ vs $|+I_O|$, with $|-I_O| = 1\text{ A}$



Safe Operating Area PTB48580A (See Note C)

Balanced Load, $V_I = 48\text{ VDC}$ (See Note B)



Note A: Characteristic data has been developed from actual products tested at 25°C. This data is considered typical data for the converter.

Note B: Under a balanced load, current flowing out of + V_O is equal to that flowing into - V_O .

Note C: SOA curves represent the conditions at which internal components are at or below the manufacturer's maximum operating temperatures. Derating limits apply to modules soldered directly to a 4 in. × 4 in. double-sided PCB with 2 oz. copper.

Specifications (Unless otherwise stated, $T_A = 25^\circ\text{C}$, $V_I = 48\text{ V}$, $C_I = 0\ \mu\text{F}$, $\pm C_O = 0\ \mu\text{F}$, $|+I_O| = |-I_O|$, and $|\pm I_O| = 0.5 |\pm I_{O\text{max}}|$)

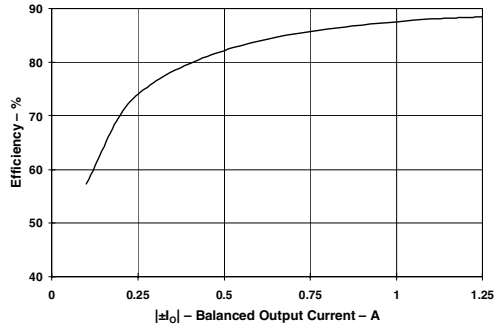
Characteristic	Symbol	Conditions	PTB48580B			Units
			Min	Typ	Max	
Output Power	P_O	Total output power from $\pm V_O$	0	—	30 ⁽¹⁾	W
Output Current	$ \pm I_O $	Over V_I range, $ +I_O - -I_O \leq 0.1\text{ A}$	0	—	1.25 ⁽²⁾	A
Output Load Imbalance	$ +I_O - -I_O $	$ +I_O \geq 0.1\text{ A}$, $ -I_O \geq 0.1\text{ A}$	0	—	0.5 ⁽³⁾	A
Output Voltage	$\pm V_O$	Includes set-point, line, $ +I_O - -I_O \leq 0.1\text{ A}$ $-40 \leq T_A \leq +85^\circ\text{C}$	11.6 ⁽²⁾	12	12.4 ⁽²⁾	V
Temperature Variation	$\Delta\text{Reg}_{\text{temp}}$	$-40 \leq T_A \leq +85^\circ\text{C}$, $ \pm I_O = 0.1\text{ A}$	$\pm V_O$	—	± 1	$\%V_O$
Line Regulation	$\Delta\text{Reg}_{\text{line}}$	Over V_I range, balanced load	$\pm V_O$	—	± 0.1	$\%V_O$
Load Regulation	$\Delta\text{Reg}_{\text{load}}$	Over $\pm I_O$ range, balanced load	$\pm V_O$	—	± 1	$\%V_O$
Efficiency	η	$P_O = P_O\text{max}$	—	88	—	%
V_O Ripple (pk-pk)	$\pm V_r$	20 MHz bandwidth, $C_O = 10\ \mu\text{F}$ tantalum capacitor	—	50	100 ⁽⁴⁾	mV _{pp}
Transient Response	t_s	0.1 A/ μs load step, 50% to 75% $\pm I_{O\text{max}}$	—	30	—	μs
	$\Delta V_O\text{pk}$	$\pm V_O$ over/undershoot	—	± 1	—	$\%V_O$
Over Current Threshold	$I_{O\text{trip}}$	$V_I = 36\text{ V}$ reset followed by auto-recovery	1.4	1.9	2.4	A
Short Circuit Current		Continuous over-current trip, $ +I_O = -I_O $	$\frac{ \pm I_O _{\text{PK}}}{\text{Duty}}$	—	3	A
				—	10	%
Output Voltage Adjust Range	$ \pm V_O _{\text{adj}}$	$ +V_O $ and $ -V_O $ adjust simultaneously	6.5	—	13.4 ⁽⁵⁾	V
Switching Frequency	f_s	Over V_I and I_O ranges	440	480 ⁽⁶⁾	520	kHz
Under-Voltage Lockout	$V_{I\text{on}}$ $V_{I\text{off}}$	V_I increasing V_I decreasing	—	33 32	—	V
On/Off Enable (pin 3)		Referenced to $-V_I$ (pin 4)				
Input High Voltage	V_{IH}		+3.6	—	+75 ⁽⁷⁾	V
Input Low Voltage	V_{IL}		-0.2	—	+0.8	
Input Low Current	I_{IL}		—	—	-1	mA
Standby Input Current	$I_I\text{ standby}$	pin 3 open circuit	—	2	—	mA
Start-up Time	t_{ON}	$ I_O = 1\text{ A}$, $ \pm V_O $ rising 0 to 0.95 $ \pm V_O _{\text{TYP}}$	—	10	—	ms
Internal Input Capacitance	C_I		—	2	—	μF
External Output Capacitance	C_O	Capacitance from either output to COM (pin 6)	0	—	1,500 ⁽⁸⁾	μF
Reliability	MTBF	Per Telcordia SR-332 50% stress, $T_A = 40^\circ\text{C}$, ground benign	2.8	—	—	10^6 Hrs

- Notes:**
- (1) See Safe Operating Area curves or contact the factory for the appropriate derating.
 - (2) Under balanced load conditions, load current flowing out of $+V_O$ is balanced to within $\pm 0.1\text{ A}$ of that flowing into $-V_O$.
 - (3) A load imbalance is the difference in current flowing from $+V_O$ to $-V_O$. The module can operate with a higher imbalance but with reduced specifications.
 - (4) Output voltage ripple is measured with a 10- μF tantalum capacitor connected from $+V_O$ (pin 5) or $-V_O$ (pin 8), to COM (pin 6).
 - (5) When the output voltage is adjusted higher than the nominal output voltage the load current must not exceed the module's maximum power rating.
 - (6) This is the free-running frequency. The module can be made to synchronize with the PTB48500 when both modules are used together in a system.
 - (7) The On/Off Enable (pin 3) has an internal pull-up and may be controlled with an open-collector (or open-drain) transistor. The input is diode protected and may be connected to $+V_I$. The open-circuit voltage is 7 V max. If it is left open circuit the converter will operate when input power is applied.
 - (8) Electrolytic capacitors with very low equivalent series resistance (ESR) may induce instability when used on the output. Consult the factory before using capacitors with organic, or polymer-aluminum type electrolytes.

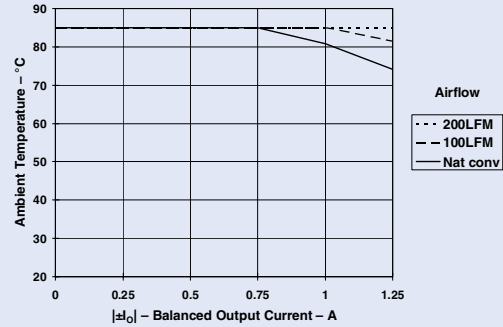
PTB48580B Characteristic Data @ $V_{IN} = 48\text{ V}$ (See Notes A)

Safe Operating Area PTB48580B (See Note C)

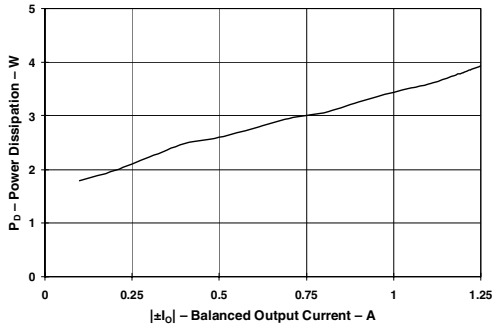
Efficiency vs Load Current (See Note B)



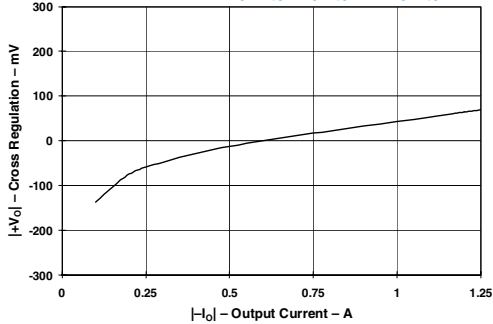
Balanced Load, $V_i = 48\text{ VDC}$ (See Note B)



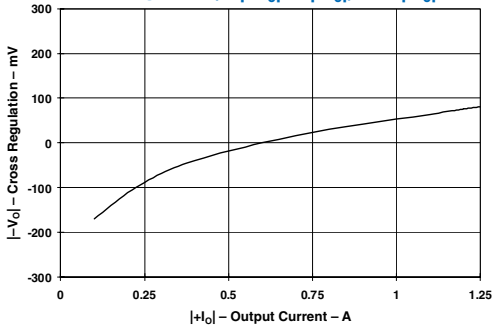
Power Dissipation vs Load Current (See Note B)



Cross Regulation, $\Delta|+V_o|$ vs $-|I_o|$, with $|+I_o| = 0.6\text{ A}$



Cross Regulation, $\Delta|-V_o|$ vs $|+I_o|$, with $-|I_o| = 0.6\text{ A}$



Note A: Characteristic data has been developed from actual products tested at 25°C. This data is considered typical data for the converter.

Note B: Under a balanced load, current flowing out of + V_o is equal to that flowing into $-V_o$.

Note C: SOA curves represent the conditions at which internal components are at or below the manufacturer's maximum operating temperatures. Derating limits apply to modules soldered directly to a 4 in. × 4 in. double-sided PCB with 2 oz. copper.

Application Notes

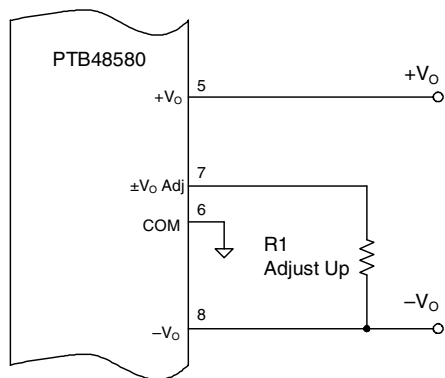
PTB48580 Series

Adjusting the Output Voltages of the PTB48580 Series of DC/DC Converters

The PTB48580 series of DC/DC converters produce a balanced pair of complementary output voltages. They are identified +V_O and -V_O, respectively. The magnitude of both output voltages can be adjusted together as a pair, higher or lower, by up to ±10% of their nominal. The adjustment method uses a single external resistor.¹ The value of the resistor determines the magnitude of the adjustment, and its placement determines whether the magnitude is increased or decreased. The resistor values can be calculated using the appropriate formula (see below). The formula constants are given in Table 1-1. The placement of each resistor is as follows.

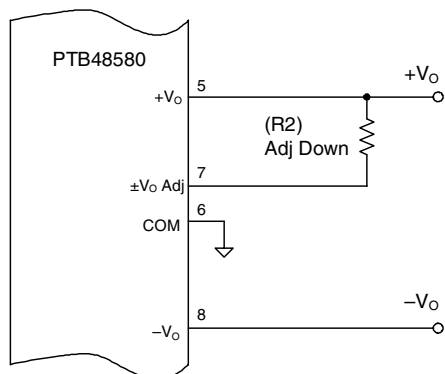
Adjust Up: To increase the magnitude⁽³⁾ of both output voltages, place a resistor R1 between ±V_O Adj (pin 7) and the -V_O (pin 8) voltage rail; see Figure 1-1(a).

Figure 1-1a



Adjust Down: To decrease the magnitude of both output voltages, add a resistor (R2), between V_O Adj (pin 7) and the +V_O (pin 5) voltage rail; see Figure 1-1(b).

Figure 1-1b



Calculation of Resistor Adjust Values

The value of the adjust resistor is calculated using one of the following equations. Use the equation for R1 to adjust up, or (R2) to adjust down.

$$R_1 \text{ [Adjust Up]} = \frac{V_R R_O}{2 (V_A - V_O)} - R_S \text{ k}\Omega$$

$$(R_2) \text{ [Adjust Down]} = \frac{R_O (2 V_A - V_R) - R_S}{2 (V_O - V_A)} \text{ k}\Omega$$

- Where: V_O = Magnitude of the original ±V_O
 V_A = Magnitude of the adjusted voltage
 V_R = The reference voltage from Table 1-1
 R_O = The resistance value in Table 1-1
 R_S = The series resistance from Table 1-1

Table 1-1

ADJUSTMENT RANGE AND FORMULA PARAMETERS		
Series Pt. No.	PTB48580A	PTB48580B
V _O (nom)	5 V	12 V
V _A (min)	3.5 V	6.5 V
V _A (max) ⁽³⁾	6 V	13.4 V
V _R	2.495 V	2.495 V
R _O (kΩ)	7.5	18.2
R _S (kΩ)	9.09	16.9

Notes:

1. A 0.05-W rated resistor may be used. The tolerance should be 1%, with a temperature stability of 100 ppm/°C or better. Place the resistor in either the R1 or (R2) location, as close to the converter as possible.
2. Never connect capacitors to the ±V_O Adj pin. Capacitance added to this pin can affect the stability of the regulated output.
3. When the output voltage is adjusted higher than the nominal output voltage the load current must not exceed the module's maximum power rating of 30 W. For example, when the PTB48580A is adjusted to ±6 V (12 V in the single output configuration), the load current is limited to 2.5 A.

Configuring the PTB48580 Series of DC/DC Converters for DSL Applications

When operated as a pair, the PTB4850x and PTB48580 converters are specifically designed to provide all the required supply voltages for powering xDSL chipsets. The PTB4850x produces two logic voltages. They include a 3.3-V source for logic and I/O, and a low-voltage for powering a digital signal processor core. The PTB48580 produces a balanced pair of complementary supply voltages that is required for the xDSL transceiver ICs. When used together in these types of applications, the PTB4850x and PTB48580 may be configured for power-up sequencing, and also synchronized to a common switch conversion frequency. Figure 2-1 shows the required cross-connects between the two converters to enable these two features.

Switching Frequency Synchronization

Unsynchronized, the difference in switch frequency introduces a beat frequency into the input and output AC ripple components from the converters. The beat frequency can vary considerably with any slight variation in either converter's switch frequency. This results in a variable and undefined frequency spectrum for the ripple waveforms, which would normally require separate filters at the input of each converter. When the switch frequency of the converters are synchronized, the ripple components are constrained to the fundamental and higher. This simplifies the design of the output filters, and allows a common filter to be specified for the treatment of input ripple.

Power-Up Sequencing

The desired power-up sequence for the AC7 supply voltages requires that the two logic-level voltages from the PTB4850x converter rise to regulation prior to the two complementary voltages that power the transceiver ICs. This sequence cannot be guaranteed if the PTB4850x and PTB48580 are allowed to power up independently, especially if the 48-V input voltage rises relatively slowly. To ensure the desired power-up sequence, the "EN Out" pin of the PTB4850x is directly connected to the active-low "Enable" input of the PTB48580 (see Figure 2-1). This allows the PTB4850x to momentarily hold off the outputs from the PTB48580 until the logic-level voltages have risen first. Figure 2-2 shows the power-up waveforms of all four supply voltages from the schematic of Figure 2-1.

Figure 2-2; Power-Up Sequencing Waveforms

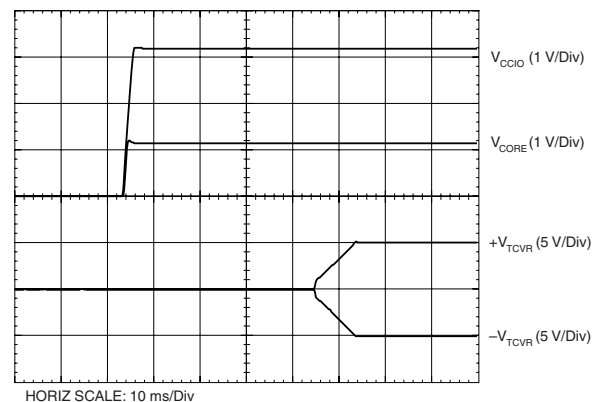
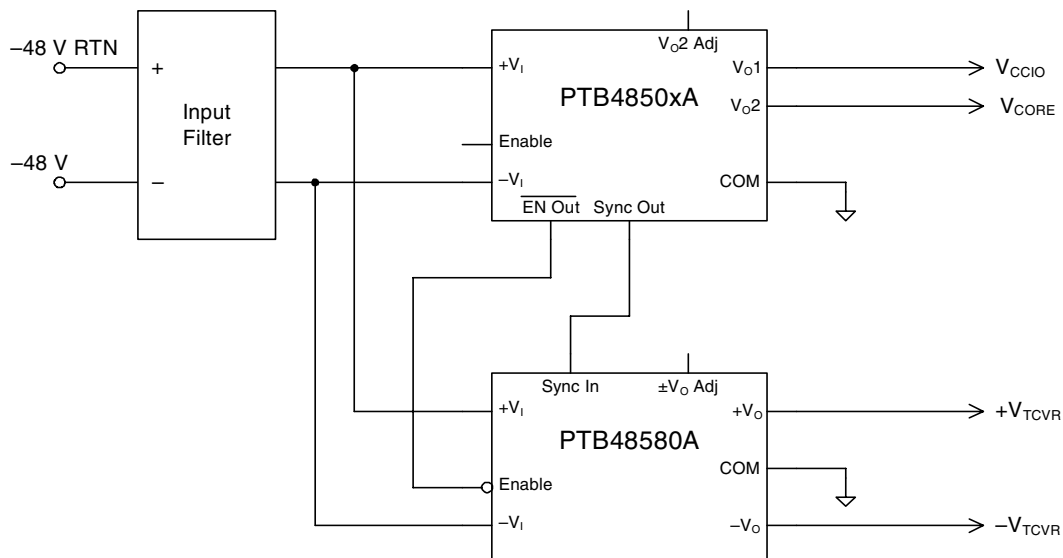


Figure 2-1; Example of PTB4850x & PTB48580A Modules Configured for DSL Applications



PACKAGING INFORMATION

Orderable Device	Status ⁽¹⁾	Package Type	Package Drawing	Pins	Package Qty	Eco Plan ⁽²⁾	Lead/ Ball Finish	MSL Peak Temp ⁽³⁾	Samples (Requires Login)
PTB48580AAH	NRND	Through-Hole Module	ERV	8	15	Pb-Free (RoHS)	SN	N / A for Pkg Type	
PTB48580AAS	NRND	Surface Mount Module	ERS	8	15	TBD	SNPB	Level-1-235C-UNLIM/ Level-3-260C-168HRS	
PTB48580AAZ	NRND	Surface Mount Module	ERS	8	15	Pb-Free (RoHS)	SNAGCU	Level-3-260C-168 HR	
PTB48580BAH	NRND	Through-Hole Module	ERV	8	15	Pb-Free (RoHS)	SN	N / A for Pkg Type	
PTB48580BAZ	NRND	Surface Mount Module	ERS	8	15	Pb-Free (RoHS)	SNAGCU	Level-3-260C-168 HR	

⁽¹⁾ The marketing status values are defined as follows:

ACTIVE: Product device recommended for new designs.

LIFEBUY: TI has announced that the device will be discontinued, and a lifetime-buy period is in effect.

NRND: Not recommended for new designs. Device is in production to support existing customers, but TI does not recommend using this part in a new design.

PREVIEW: Device has been announced but is not in production. Samples may or may not be available.

OBSOLETE: TI has discontinued the production of the device.

⁽²⁾ Eco Plan - The planned eco-friendly classification: Pb-Free (RoHS), Pb-Free (RoHS Exempt), or Green (RoHS & no Sb/Br) - please check <http://www.ti.com/productcontent> for the latest availability information and additional product content details.

TBD: The Pb-Free/Green conversion plan has not been defined.

Pb-Free (RoHS): TI's terms "Lead-Free" or "Pb-Free" mean semiconductor products that are compatible with the current RoHS requirements for all 6 substances, including the requirement that lead not exceed 0.1% by weight in homogeneous materials. Where designed to be soldered at high temperatures, TI Pb-Free products are suitable for use in specified lead-free processes.

Pb-Free (RoHS Exempt): This component has a RoHS exemption for either 1) lead-based flip-chip solder bumps used between the die and package, or 2) lead-based die adhesive used between the die and leadframe. The component is otherwise considered Pb-Free (RoHS compatible) as defined above.

Green (RoHS & no Sb/Br): TI defines "Green" to mean Pb-Free (RoHS compatible), and free of Bromine (Br) and Antimony (Sb) based flame retardants (Br or Sb do not exceed 0.1% by weight in homogeneous material)

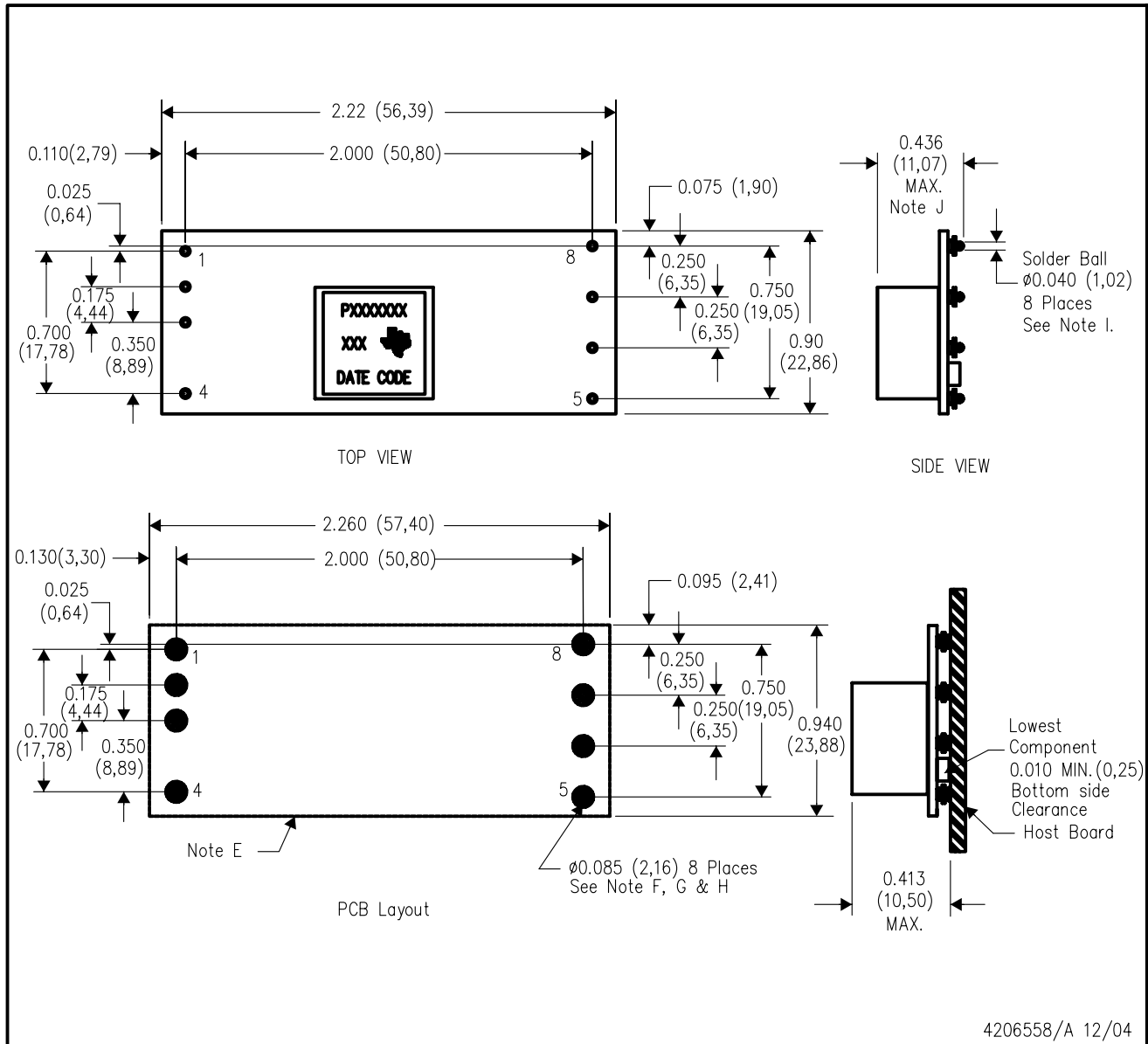
⁽³⁾ MSL, Peak Temp. -- The Moisture Sensitivity Level rating according to the JEDEC industry standard classifications, and peak solder temperature.

Important Information and Disclaimer: The information provided on this page represents TI's knowledge and belief as of the date that it is provided. TI bases its knowledge and belief on information provided by third parties, and makes no representation or warranty as to the accuracy of such information. Efforts are underway to better integrate information from third parties. TI has taken and continues to take reasonable steps to provide representative and accurate information but may not have conducted destructive testing or chemical analysis on incoming materials and chemicals. TI and TI suppliers consider certain information to be proprietary, and thus CAS numbers and other limited information may not be available for release.

In no event shall TI's liability arising out of such information exceed the total purchase price of the TI part(s) at issue in this document sold by TI to Customer on an annual basis.

ERS (R-PDSS-T8)

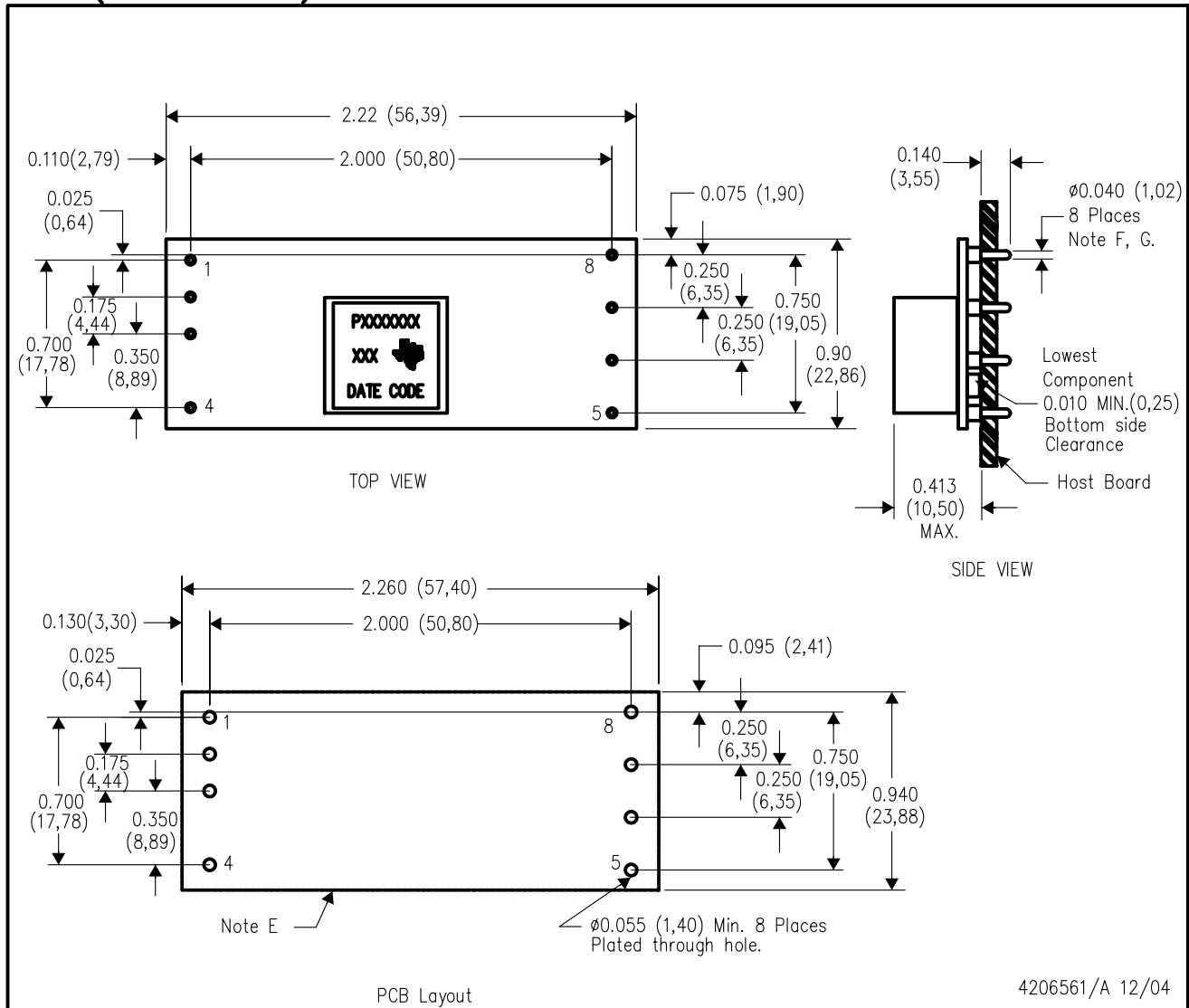
DOUBLE SIDED MODULE



- NOTES:
- A. All linear dimensions are in inches (mm).
 - B. This drawing is subject to change without notice.
 - C. 2 place decimals are $\pm 0.020 (\pm 0,51\text{mm})$.
 - D. 3 place decimals are $\pm 0.010 (\pm 0,25\text{mm})$.
 - E. Recommended keep out area for user components.
 - F. Power pin connection should utilize four or more vias to the interior power plane of 0.025 (0,63) I.D. per input, ground and output pin (or the electrical equivalent).
 - G. Paste screen opening: 0.080 (2,03) to 0.085 (2,16).
 Paste screen thickness: 0.006 (0,15).
 - H. Pad type: Solder mask defined.
 - I. All pins: Material – Copper Alloy
 Finish – Tin (100%) over Nickel plate
 Solder Ball – See product data sheet.
 - J. Dimension prior to reflow solder.

ERV (R-PDSS-T8)

DOUBLE SIDED MODULE



- NOTES:
- A. All linear dimensions are in inches (mm).
 - B. This drawing is subject to change without notice.
 - C. 2 place decimals are ± 0.020 ($\pm 0,51$ mm).
 - D. 3 place decimals are ± 0.010 ($\pm 0,25$ mm).
 - E. Recommended keep out area for user components.

- F. Pins are 0.040" (1,02) diameter with 0.070" (1,78) diameter standoff shoulder.
- G. All pins: Material - Copper Alloy
Finish - Tin (100%) over Nickel plate

4206561/A 12/04

IMPORTANT NOTICE

Texas Instruments Incorporated and its subsidiaries (TI) reserve the right to make corrections, enhancements, improvements and other changes to its semiconductor products and services per JESD46C and to discontinue any product or service per JESD48B. Buyers should obtain the latest relevant information before placing orders and should verify that such information is current and complete. All semiconductor products (also referred to herein as "components") are sold subject to TI's terms and conditions of sale supplied at the time of order acknowledgment.

TI warrants performance of its components to the specifications applicable at the time of sale, in accordance with the warranty in TI's terms and conditions of sale of semiconductor products. Testing and other quality control techniques are used to the extent TI deems necessary to support this warranty. Except where mandated by applicable law, testing of all parameters of each component is not necessarily performed.

TI assumes no liability for applications assistance or the design of Buyers' products. Buyers are responsible for their products and applications using TI components. To minimize the risks associated with Buyers' products and applications, Buyers should provide adequate design and operating safeguards.

TI does not warrant or represent that any license, either express or implied, is granted under any patent right, copyright, mask work right, or other intellectual property right relating to any combination, machine, or process in which TI components or services are used. Information published by TI regarding third-party products or services does not constitute a license to use such products or services or a warranty or endorsement thereof. Use of such information may require a license from a third party under the patents or other intellectual property of the third party, or a license from TI under the patents or other intellectual property of TI.

Reproduction of significant portions of TI information in TI data books or data sheets is permissible only if reproduction is without alteration and is accompanied by all associated warranties, conditions, limitations, and notices. TI is not responsible or liable for such altered documentation. Information of third parties may be subject to additional restrictions.

Resale of TI components or services with statements different from or beyond the parameters stated by TI for that component or service voids all express and any implied warranties for the associated TI component or service and is an unfair and deceptive business practice. TI is not responsible or liable for any such statements.

Buyer acknowledges and agrees that it is solely responsible for compliance with all legal, regulatory and safety-related requirements concerning its products, and any use of TI components in its applications, notwithstanding any applications-related information or support that may be provided by TI. Buyer represents and agrees that it has all the necessary expertise to create and implement safeguards which anticipate dangerous consequences of failures, monitor failures and their consequences, lessen the likelihood of failures that might cause harm and take appropriate remedial actions. Buyer will fully indemnify TI and its representatives against any damages arising out of the use of any TI components in safety-critical applications.

In some cases, TI components may be promoted specifically to facilitate safety-related applications. With such components, TI's goal is to help enable customers to design and create their own end-product solutions that meet applicable functional safety standards and requirements. Nonetheless, such components are subject to these terms.

No TI components are authorized for use in FDA Class III (or similar life-critical medical equipment) unless authorized officers of the parties have executed a special agreement specifically governing such use.

Only those TI components which TI has specifically designated as military grade or "enhanced plastic" are designed and intended for use in military/aerospace applications or environments. Buyer acknowledges and agrees that any military or aerospace use of TI components which have **not** been so designated is solely at the Buyer's risk, and that Buyer is solely responsible for compliance with all legal and regulatory requirements in connection with such use.

TI has specifically designated certain components which meet ISO/TS16949 requirements, mainly for automotive use. Components which have not been so designated are neither designed nor intended for automotive use; and TI will not be responsible for any failure of such components to meet such requirements.

Products

Audio	www.ti.com/audio
Amplifiers	amplifier.ti.com
Data Converters	dataconverter.ti.com
DLP® Products	www.dlp.com
DSP	dsp.ti.com
Clocks and Timers	www.ti.com/clocks
Interface	interface.ti.com
Logic	logic.ti.com
Power Mgmt	power.ti.com
Microcontrollers	microcontroller.ti.com
RFID	www.ti-rfid.com
OMAP Mobile Processors	www.ti.com/omap
Wireless Connectivity	www.ti.com/wirelessconnectivity

Applications

Automotive and Transportation	www.ti.com/automotive
Communications and Telecom	www.ti.com/communications
Computers and Peripherals	www.ti.com/computers
Consumer Electronics	www.ti.com/consumer-apps
Energy and Lighting	www.ti.com/energy
Industrial	www.ti.com/industrial
Medical	www.ti.com/medical
Security	www.ti.com/security
Space, Avionics and Defense	www.ti.com/space-avionics-defense
Video and Imaging	www.ti.com/video

TI E2E Community e2e.ti.com