

# S32R27 Radar Microcontroller

Power Architecture®-based MCU for Automotive and Industrial Applications

## Features

- Best-in-class performance/watt
- Safety with automotive pedigree
- Integrated accelerators designed for radar applications

Product One-Sheet

Get Sample

Data Sheet

Tools

**Computation cores**—Dual Power Architecture e200z7 32-bit CPU compatible with MPC5775K and S32R27

**Dedicated safety processing cores**—Dual cores with checker core (available in lockstep operation)

**Optimized RADAR Signal Processing Acceleration to maximize performance/watt**

**Scaleable family of solutions**—Pin-compatible with S32R37

**Automotive Safety**—Designed for ASIL-D applications

**Security Enabled**—Embedded cryptographic security engine

## Specifications

Cores	2 x e200z7 2 x e200z4 (lock-step)	Speed	e200z7: 240 MHz e200z4: 120 MHz
On-Chip Flash	2 MB w/ ECC	SRAM	1.5 MB w/ ECC
RADAR processing	Signal Processing Toolbox SPT 2.0	RADAR I/F	MIPI-CSI2 (4 data lanes) ΣΔ-ADC (4 x 12-bit, 10 MSps) DAC (10 MSps)
Safety	ISO26262 SEooC up to ASIL-D	Security	CSE2 (Cryptographic Services Engine)
Temp Range (Tj)	-40 to 150°C AEC-Q100 Grade 1	Comm. I/F	Zipwire (MCU I/F) 2 x SAR-ADC 2 x SPI 2 x I2C 3 x FlexCAN (incl. 2x CAN-FD) FlexRay LINFlexD Ethernet

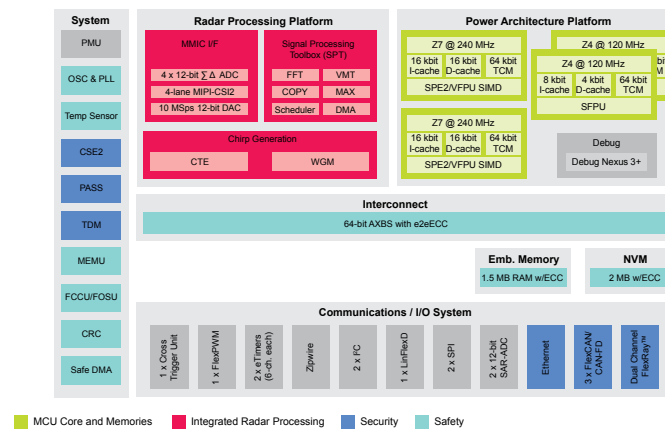
## Orderable Samples

Part Number	Temp Range (Ta)	Flash	SRAM	Package
FS32R274KSK2MMM	-40 to 125 °C	2 MB	1.5 MB	257 MAPBGA
FS32R274KSK2VMM	-40 to 105 °C	2 MB	1.5 MB	257 MAPBGA

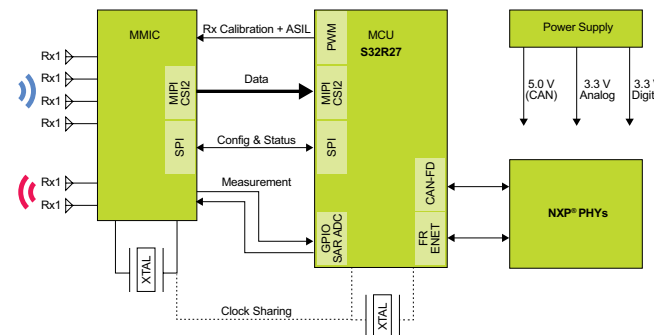
[www.nxp.com/S32R27](http://www.nxp.com/S32R27)

NXP and the NXP logo are trademarks of NXP B.V. All other product or service names are the property of their respective owners. The Power Architecture and Power.org word marks and the Power and Power.org logos and related marks are trademarks and service marks licensed by Power.org. © 2018 NXP B.V. Document Number: S32R27RADARMCU REV 1

## Block Diagram



## Radar Application



## Target Applications

- Automotive radar applications
  - Low- to mid-range radar, including side-looking and surround sensors, lane change/keeping assist (LCA, LKA), blind spot detection (BSD), rear-traffic-crossing alert (RTCA)
  - Long-range radar, including forward-looking sensor, adaptive cruise control (ACC), autonomous emergency braking (AEB), pedestrian protection
- Non-automotive radar applications
  - Building surveillance protecting hazardous points, areas and access
  - Smart home accident detection for the elderly
  - Industrial automation, e.g., position determination and safety guard

## Enablement Tools

- AUTOSAR safety MCAL and non-AUTOSAR MCAL
- S32 Design Studio IDE support with plug-ins for third-party tool vendor compilers and debuggers
- Compiler support by WindRiver, GreenHills
- Debugger support by Lauterbach, P&E, iSystems
- Radar accelerator graph editor and radar SDK
- SDK with low-level drivers integrated in S32DS IDE
- Model-based design in MATLAB™ for radar accelerator
- RDK-S32R274 automotive radar reference platform
- Hardware and software tools compatible with S32R37 microcontroller

