

### DESCRIPTION

This is a synchronous reversible (up/down) counter having a complexity of 55 equivalent gates. The S54192 and N74192 are BCD counters. Synchronous operation is provided by having all flip-flops clocked simultaneously so that the outputs change coincidentally with each other when so instructed by the steering logic. This mode of operation eliminates the output counting spikes which are normally associated with asynchronous (ripple-clock) counters.

The outputs of the master-slave flip-flops are triggered by a low-to-high-level transition of either count (clock) input. The direction of counting is determined by which count input is pulsed while the other count input is high.

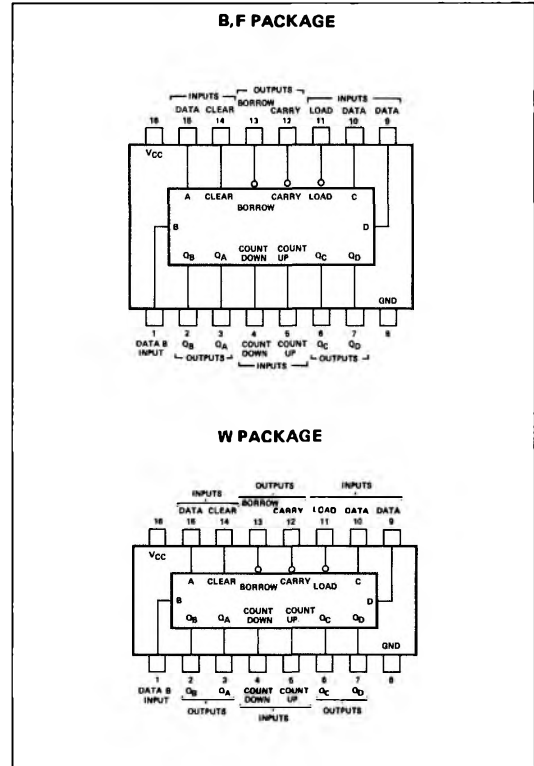
These counters are fully programmable; that is, the outputs may be present to any state by entering the desired data at the data inputs while the load input is low. The output will change to agree with the data inputs independently of the count pulses. This feature allows the counters to be used as modulo-N dividers by simply modifying the count length with the preset inputs.

A clear input has been provided which forces all outputs to the low level when a high level is applied. The clear function is independent of the count and load inputs. An input buffer has been placed on the clear, count, and load inputs to lower the drive requirements to one normalized Series 54/74 load. This is important when the output of the driving circuitry is somewhat limited.

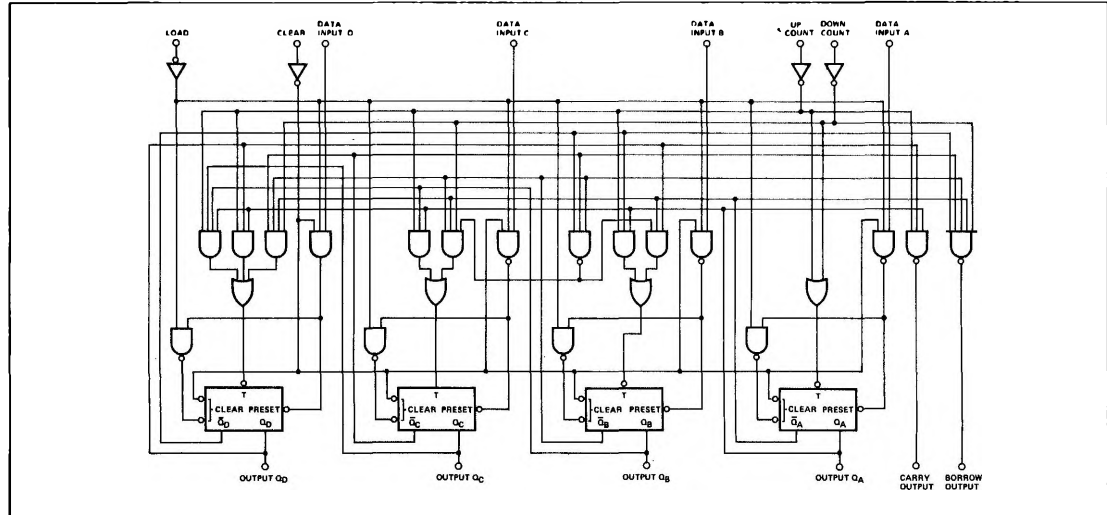
These counters were designed to be cascaded without the need for external circuitry. Both borrow and carry outputs are available to cascade both the up-and down-counting functions. The borrow output produces a pulse equal in width to the count-down input when the counter underflows. Similarly, the carry output produces a pulse equal in width to the count-up input when an overflow condition exists. The counters can then be easily cascaded by feeding the borrow and carry outputs to the count-down and count-up inputs respectively of the succeeding counter.

Power dissipation is typically 325 milliwatts for either the decade or binary version. Maximum input count frequency is typically 32 megahertz and is guaranteed to be 25MHz minimum.

### PIN CONFIGURATIONS



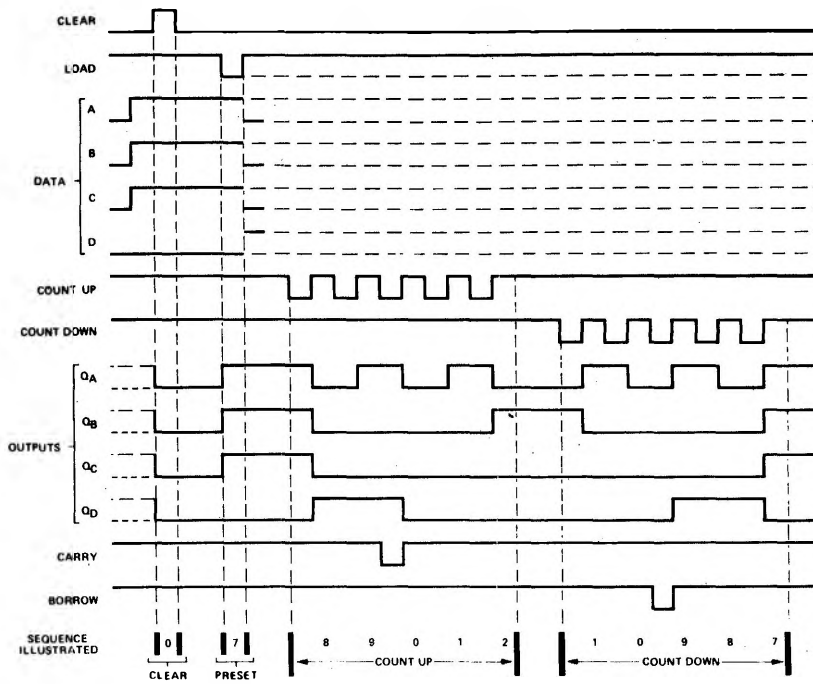
### LOGIC DIAGRAM



## DECADE COUNTER (typical clear, load, and count sequences)

Illustrated below is the following sequence:

1. Clear outputs to zero.
2. Load (preset) to BCD seven.
3. Count up to eight, nine, carry, zero, one, and two.
4. Count down to one, zero, borrow, nine, eight, and seven.



## NOTES:

A. Clear overrides load, data, and count inputs.

B. When counting up, count-down input must be high; when counting down, count-up input must be high.

# DIGITAL 54/74 TTL SERIES ■ S54192, N74192

## RECOMMENDED OPERATING CONDITIONS

	S54192			N74192			UNIT
	MIN	NOM	MAX	MIN	NOM	MAX	
Supply Voltage $V_{CC}$	4.5	5	5.5	4.75	5	5.25	V
Normalized Fan-Out from each Output, N			10			10	
Input Count Frequency, $f_{count}$	0		25*	0		25*	MHz
Width of Any Input Pulse, $t_w$	20*			20*			ns
Data Setup Time, $t_{setup}$ (See Note 2)	20*			20*			ns
Data Hold Time, $t_{hold}$ (See Note 3)	0			0			ns
Operating Free-Air Temperature Range, $T_A$	-55	25	125	0	25	70	°C

### NOTES:

1. Voltage values are with respect to network ground terminal.
2. Setup time is the interval immediately preceding the positive-going edge of the load pulse during which interval the data to be recognized must be maintained at the input to ensure its recognition.
3. Hold time is the interval immediately following the positive-going edge of the load pulse during which interval the data to be recognized must be maintained at the input to ensure its recognition.

\*These conditions are recommended for use at  $V_{CC} = 5V$ ,  $T_A = 25^\circ C$ .

## ELECTRICAL CHARACTERISTICS (over recommended operating free-air temperature range unless otherwise noted)

PARAMETER	TEST CONDITIONS*	MIN	TYP**	MAX	UNIT
<b>S54192</b>					
$V_{IH}$	High-level input voltage	2			V
$V_{IL}$	Low-level input voltage			0.8	V
$V_{OH}$	High-level output voltage	$V_{CC} = \text{MIN}, V_{IH} = 2V,$ $V_{IL} = 0.8V, I_{OH} = -400\mu A$	2.4		V
$V_{OL}$	Low-level output voltage	$V_{CC} = \text{MIN}, V_{IH} = 2V,$ $V_{IL} = 0.8V, I_{OL} = 16mA$		0.4	V
$I_{IH}$	High-level input current	$V_{CC} = \text{MAX}, V_I = 2.4V$ $V_{CC} = \text{MAX}, V_I = 5.5V$		40 1	$\mu A$ mA
$I_{IL}$	Low-level input current	$V_{CC} = \text{MAX}, V_I = 0.4V$		-1.6	mA
$I_{OS}$	Short-circuit output current †	$V_{CC} = \text{MAX}$	-20	-65	mA
$I_{CC}$	Supply current	$V_{CC} = \text{MAX}$	65	89	mA
<b>N74192</b>					
$V_{IH}$	High-level input voltage	2			V
$V_{IL}$	Low-level input voltage			0.8	V
$V_{OH}$	High-level output voltage	$V_{CC} = \text{MIN}, V_{IH} = 2V,$ $V_{IL} = 0.8V, I_{OH} = -400\mu A$	2.4		V
$V_{OL}$	Low-level output voltage	$V_{CC} = \text{MIN}, V_{IH} = 2V$ $V_{IL} = 0.8V, I_{OL} = 16mA$		0.4	V
$I_{IH}$	High-level input current	$V_{CC} = \text{MAX}, V_I = 2.4V$ $V_{CC} = \text{MAX}, V_I = 5.5V$		40 1	$\mu A$ mA
$I_{IL}$	Low-level input current	$V_{CC} = \text{MAX}, V_I = 0.4V$		-1.6	mA
$I_{OS}$	Short-circuit output current †	$V_{CC} = \text{MAX}$	-18	-65	mA
$I_{CC}$	Supply current	$V_{CC} = \text{MAX}$	65	102	mA

SWITCHING CHARACTERISTICS,  $V_{CC} = 5V$ ,  $T_A = 25^\circ C$ ,  $N = 10$  (See Note)

PARAMETER		TEST CONDITIONS		MIN	TYP	MAX	UNIT
$f_{max}$	Maximum input count frequency			25	32		MHz
$t_{setup}$	Minimum input setup time				14	20	ns
$t_{PLH}$	Propagation delay time, low-to-high-level carry output from count-up input				17	26	ns
$t_{PHL}$	Propagation delay time, high-to-low-level carry output from count-up input				16	24	ns
$t_{PLH}$	Propagation delay time, low-to-high-level borrow output from count-down input	$C_L = 15pF$ ,	$R_L = 400\Omega$		16	24	ns
$t_{PHL}$	Propagation delay time, high-to-low-level borrow output from count-down input				16	24	ns
$t_{PLH}$	Propagation delay time, low-to-high-level Q output from either count input				25	38	ns
$t_{PHL}$	Propagation delay time, high-to-low-level Q output from either count input				31	47	ns
$t_{PLH}$ LOAD					27		
$t_{PLH}$ LOAD					29	40	
$t_{PHL}$ CLEAR					22	25	

NOTE: Above Switching Table Applies to (S54192 & N74192)

\* For conditions shown as MIN or MAX, use the appropriate value specified under recommended operating conditions for the applicable circuit type.

\*\* All typical values are at  $V_{CC} = 5V$ ,  $T_A = 25^\circ C$ .

† Not more than one output should be shorted at a time.

CASCADING

