

# SN54198, SN54199 SN74198, SN74199 8-BIT SHIFT REGISTERS

SDLS078

DECEMBER 1972—REVISED MARCH 1988

## description

These 8-bit shift registers are compatible with most other TTL and MSI logic families. All inputs are buffered to lower the drive requirements to one normalized Series 54/74 load, and input clamping diodes minimize switching transients to simplify system design. Maximum input clock frequency is typically 35 megahertz and power dissipation is typically 360 mW.

Series 54 devices are characterized for operation over the full military temperature range of  $-55^{\circ}\text{C}$  to  $125^{\circ}\text{C}$ ; Series 74 devices are characterized for operation from  $0^{\circ}\text{C}$  to  $70^{\circ}\text{C}$ .

## SN54198 and SN74198

These bidirectional registers are designed to incorporate virtually all of the features a system designer may want in a shift register. These circuits contain 87

equivalent gates and feature parallel inputs, parallel outputs, right-shift and left-shift serial inputs, operating-mode-control inputs, and a direct overriding clear line. The register has four distinct modes of operation, namely:

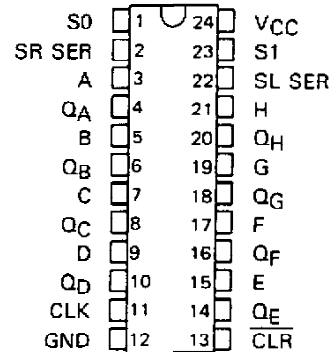
- Inhibit Clock (Do nothing)
- Shift Right (In the direction  $Q_A$  toward  $Q_H$ )
- Shift Left (In the direction  $Q_H$  toward  $Q_A$ )
- Parallel (Broadside) Load

Synchronous parallel loading is accomplished by applying the eight bits of data and taking both mode control inputs,  $S_0$  and  $S_1$ , high. The data is loaded into the associated flip-flop and appears at the outputs after the positive transition of the clock input. During loading, serial data flow is inhibited.

Shift right is accomplished synchronously with the rising edge of the clock pulse when  $S_0$  is high and  $S_1$  is low. Serial data for this mode is entered at the shift-right data input. When  $S_0$  is low and  $S_1$  is high, data shifts left synchronously and new data is entered at the shift-left serial input.

Clocking of the flip-flop is inhibited when both mode control inputs are low. The mode controls should be changed only while the clock input is high.

SN54198 . . . J OR W PACKAGE  
SN74198 . . . N PACKAGE  
(TOP VIEW)



'198

FUNCTION TABLE

CLEAR	MODE		CLOCK	INPUTS			OUTPUTS				
	$S_1$	$S_0$		SERIAL		PARALLEL	$Q_A$	$Q_B$	...	$Q_G$	$Q_H$
				LEFT	RIGHT	A . . . H					
L	X	X	X	X	X	X	L	L	L	L	
H	X	X	L	X	X	X	$Q_{A0}$	$Q_{B0}$	$Q_{G0}$	$Q_{H0}$	
H	H	H	↑	X	X	a . . . h	a	b	g	h	
H	L	H	↑	X	H	X	H	$Q_{An}$	$Q_{Fn}$	$Q_{Gn}$	
H	L	H	↑	X	L	X	L	$Q_{An}$	$Q_{Fn}$	$Q_{Gn}$	
H	H	L	↑	H	X	X	$Q_{Bn}$	$Q_{Cn}$	$Q_{Hn}$	H	
H	H	L	↑	L	X	X	$Q_{Bn}$	$Q_{Cn}$	$Q_{Hn}$	L	
H	L	L	X	X	X	X	$Q_{A0}$	$Q_{B0}$	$Q_{G0}$	$Q_{H0}$	

H = high level (steady state), L = low level (steady state)

X = irrelevant (any input, including transitions)

↑ = transition from low to high level

a . . . h = the level of steady-state input at inputs A thru H, respectively.

$Q_{A0}$ ,  $Q_{B0}$ ,  $Q_{G0}$ ,  $Q_{H0}$  = the level of  $Q_A$ ,  $Q_B$ ,  $Q_G$ , or  $Q_H$ , respectively, before the indicated steady-state input conditions were established.

$Q_{An}$ ,  $Q_{Bn}$ , etc. = the level of  $Q_A$ ,  $Q_B$ , etc., respectively, before the most-recent ↑ transition of the clock.

PRODUCTION DATA documents contain information current as of publication date. Products conform to specifications per the terms of Texas Instruments standard warranty. Production processing does not necessarily include testing of all parameters.

TEXAS  
INSTRUMENTS

POST OFFICE BOX 655012 • DALLAS, TEXAS 75265

# SN54198, SN54199 SN74198, SN74199 8-BIT SHIFT REGISTERS

## SN54199 and SN74199

These registers feature parallel inputs, parallel outputs, J-K serial inputs, shift/load control input, a direct overriding clear line, and gated clock inputs. The register has three modes of operation:

- Inhibit Clock (Do nothing)
- Shift (In the direction  $Q_A$  toward  $Q_H$ )
- Parallel (Broadside) Load

Parallel loading is accomplished by applying the eight bits of data and taking the shift/load control input low when the clock input is not inhibited. The data is loaded into the associated flip-flop and appears at the outputs after the positive transition of the clock input. During loading, serial data flow is inhibited.

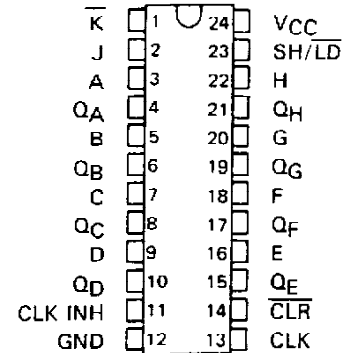
Shifting is accomplished synchronously when shift/load is high and the clock input is not inhibited. Serial data for this mode is entered at the J-K inputs. See the function table for levels required to enter serial data into the first flip-flop.

Both of the clock inputs are identical in function and may be used interchangeably to serve as clock or clock-inhibit inputs. Holding either high inhibits clocking, but when one is held low, a clock input applied to the other input is passed to the eight flip-flops of the register. The clock-inhibit input should be changed to the high level only while the clock input is high.

These shift registers contain the equivalent of 79 TTL gates. Average power dissipation per gate is typically 4.55 mW.

SN54199 . . . J OR W PACKAGE  
SN74199 . . . N PACKAGE

(TOP VIEW)

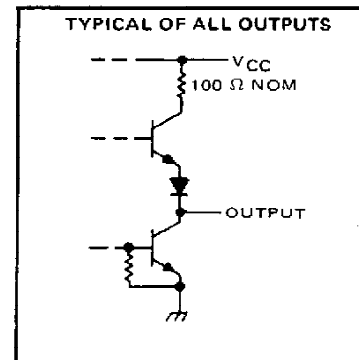
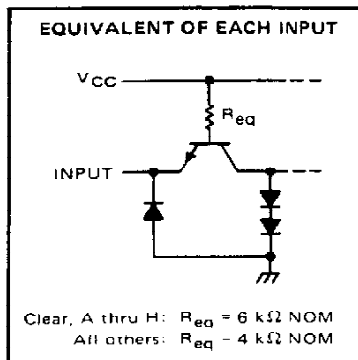


'199

FUNCTION TABLE

INPUTS							OUTPUTS			
CLEAR	SHIFT/ LOAD	CLOCK INHIBIT	CLOCK	SERIAL J K	PARALLEL A . . . H		$Q_A$	$Q_B$	$Q_C$ . . .	$Q_H$
L	X	X	X	X	X	X	L	L	L	L
H	X	L	L	X	X	X	$Q_{A0}$	$Q_{B0}$	$Q_{C0}$	$Q_{H0}$
H	L	L	↑	X	X	a . . . h	a	b	c	h
H	H	L	↑	L	H	X	$Q_{A0}$	$Q_{A0}$	$Q_{Bn}$	$Q_{Gn}$
H	H	L	↑	L	L	X	L	$Q_{An}$	$Q_{Bn}$	$Q_{Gn}$
H	H	L	↑	H	H	X	H	$Q_{An}$	$Q_{Bn}$	$Q_{Gn}$
H	H	L	↑	H	L	X	$\bar{Q}_{An}$	$Q_{An}$	$Q_{Bn}$	$Q_{Gn}$
H	X	H	↑	X	X	X	$Q_{A0}$	$Q_{B0}$	$Q_{B0}$	$Q_{H0}$

### schematics of inputs and outputs

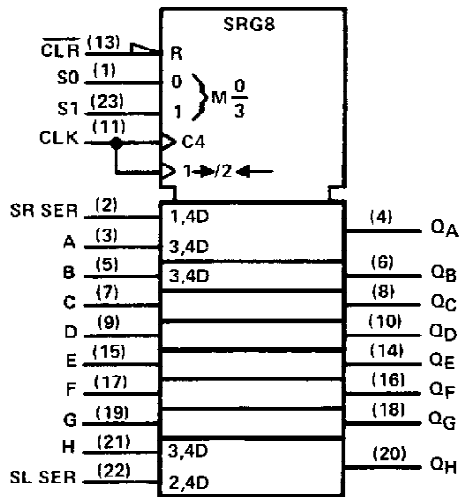


TEXAS  
INSTRUMENTS

POST OFFICE BOX 655012 • DALLAS, TEXAS 75265

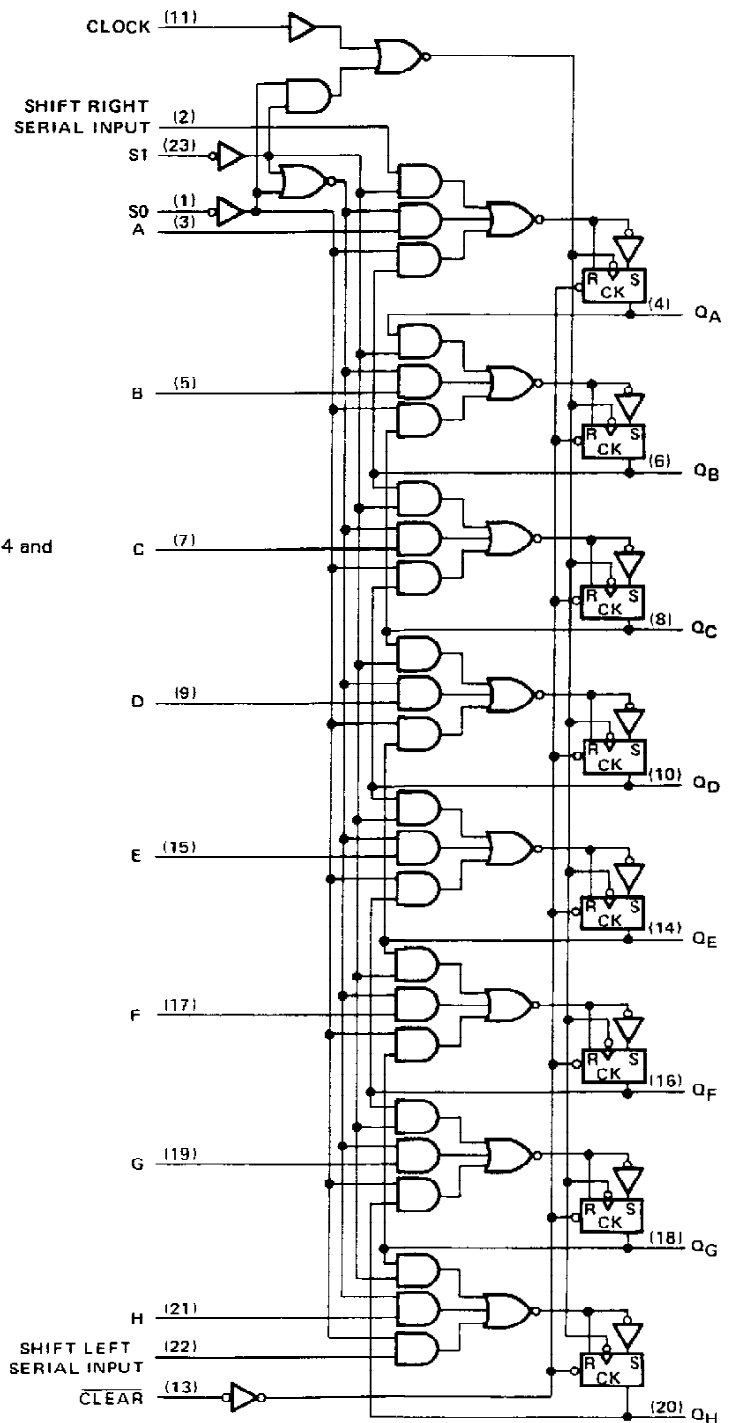
# SN54198, SN74198 8-BIT SHIFT REGISTERS

logic symbol†



† This symbol is in accordance with ANSI/IEEE Std. 91-1984 and IEC Publication 617-12.

logic diagram (positive logic)

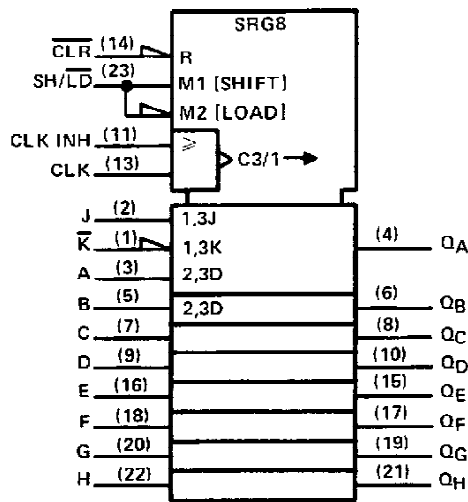


**TEXAS  
INSTRUMENTS**

POST OFFICE BOX 655012 • DALLAS, TEXAS 75285

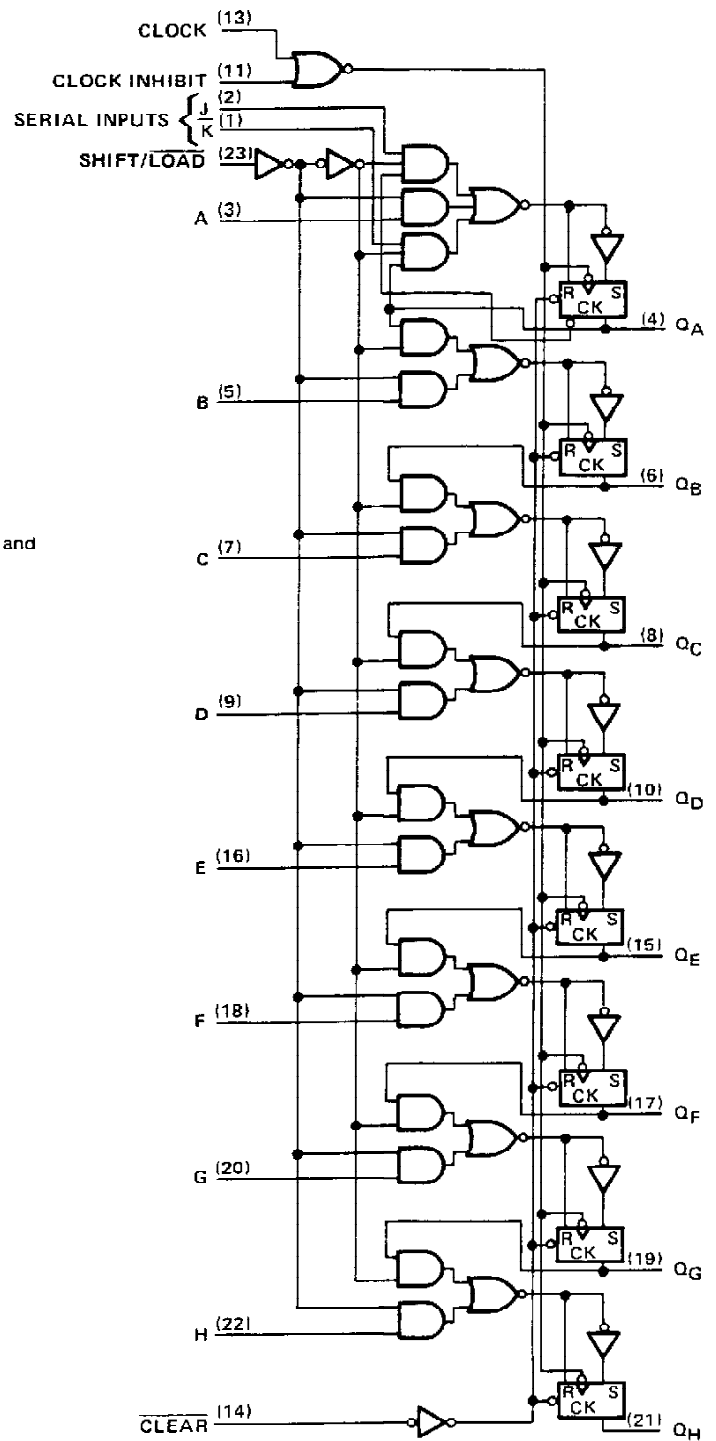
# SN54199, SN74199 8-BIT SHIFT REGISTERS

logic symbol†



† This symbol is in accordance with ANSI/IEEE Std. 91-1984 and IEC Publication 617-12.

logic diagram (positive logic)

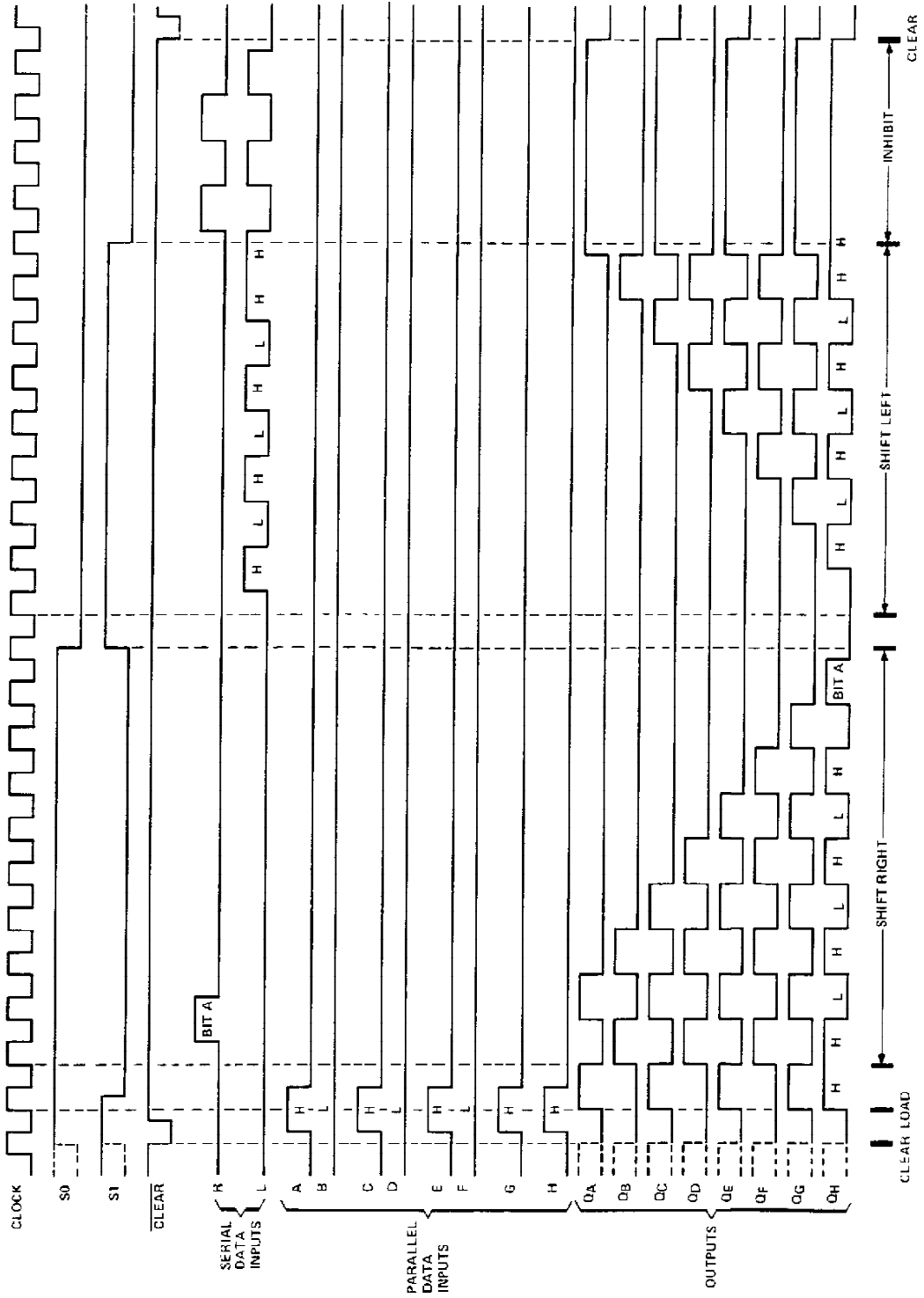


**TEXAS  
INSTRUMENTS**

POST OFFICE BOX 655012 • DALLAS, TEXAS 75265

SN54198, SN74198

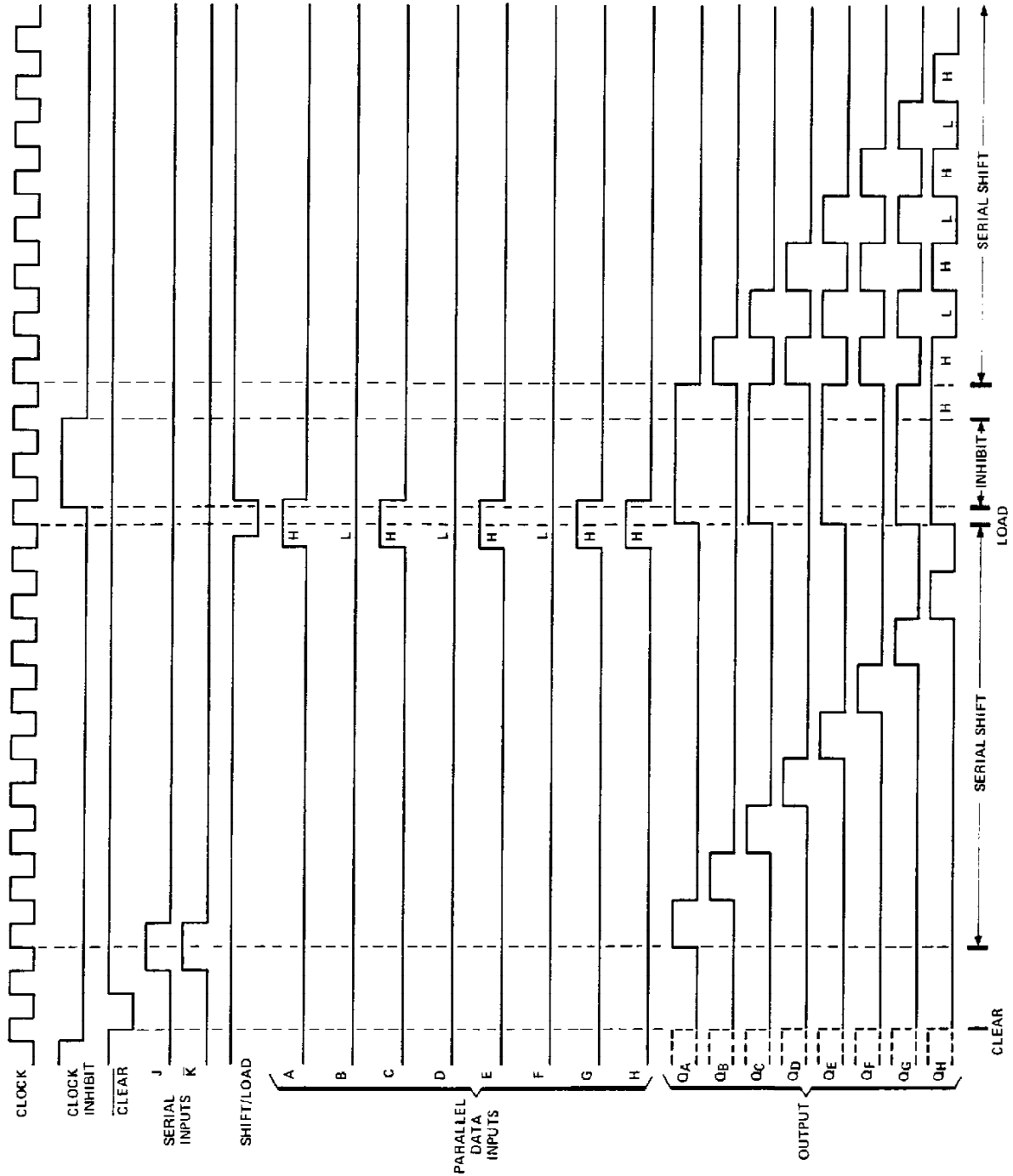
typical clear, load, right-shift, left-shift, inhibit, and clear sequences



# SN54199, SN74199 8-BIT SHIFT REGISTERS

SN54199, SN74199

typical clear, shift, load, and inhibit sequences



TEXAS  
INSTRUMENTS

POST OFFICE BOX 655012 • DALLAS, TEXAS 75265

# SN54198, SN54199, SN74198, SN74199 8-BIT SHIFT REGISTERS

absolute maximum ratings over operating free-air temperature range (unless otherwise noted)

Supply voltage, $V_{CC}$ (see Note 1)	7 V
Input voltage	5.5 V
Operating free-air temperature range: SN54 <sup>†</sup> Circuits	-55°C to 125°C
SN74 <sup>†</sup> Circuits	0°C to 70°C
Storage temperature range	-65°C to 150°C

NOTE 1: Voltage values are with respect to network ground terminal.

### recommended operating conditions

	SN54198 SN54199			SN74198 SN74199			UNIT
	MIN	NOM	MAX	MIN	NOM	MAX	
Supply voltage, $V_{CC}$	4.5	5	5.5	4.75	5	5.25	V
High-level output current, $I_{OH}$			-800			-800	$\mu$ A
Low-level output current, $I_{OL}$			16			16	mA
Clock frequency, $f_{clock}$	0		25	0		25	MHz
Width of clock or clear pulse, $t_W$ (see Figure 1)	20			20			ns
Mode-control setup time, $t_{SU}$	30			30			ns
Data setup time, $t_{SU}$ (see Figure 1)	20			20			ns
Hold time at any input, $t_H$ (see Figure 1)	0			0			ns
Operating free-air temperature, $T_A$	-55		125	0		70	°C

### electrical characteristics over recommended operating free-air temperature range (unless otherwise noted)

PARAMETER	TEST CONDITIONS <sup>†</sup>	SN54198 SN54199			SN74198 SN74199			UNIT
		MIN	TYP <sup>‡</sup>	MAX	MIN	TYP <sup>‡</sup>	MAX	
$V_{IH}$ High-level input voltage		2			2			V
$V_{IL}$ Low-level input voltage				0.8			0.8	V
$V_{IK}$ Input clamp voltage	$V_{CC} = \text{MIN}, I_I = -12 \text{ mA}$			-1.5			-1.5	V
$V_{OH}$ High-level output voltage	$V_{CC} = \text{MIN}, V_{IH} = 2 \text{ V}, V_{IL} = 0.8 \text{ V}, I_{OH} = -800 \mu\text{A}$	2.4	3.4		2.4	3.4		V
$V_{OL}$ Low-level output voltage	$V_{CC} = \text{MIN}, V_{IH} = 2 \text{ V}, V_{IL} = 0.8 \text{ V}, I_{OL} = 16 \text{ mA}$		0.2	0.4		0.2	0.4	V
$I_I$ Input current at maximum input voltage	$V_{CC} = \text{MAX}, V_I = 5.5 \text{ V}$			1			1	mA
$I_{IH}$ High-level input current	$V_{CC} = \text{MAX}, V_I = 2.4 \text{ V}$			40			40	$\mu$ A
$I_{IL}$ Low-level input current	$V_{CC} = \text{MAX}, V_I = 0.4 \text{ V}$			-1.6			-1.6	mA
$I_{OS}$ Short-circuit output current <sup>§</sup>	$V_{CC} = \text{MAX}$	-20		-57	-18		-57	mA
$I_{CC}$ Supply current	$V_{CC} = \text{MAX}, \text{ See Table Below}$		90	127		90	127	mA

<sup>†</sup> For conditions shown as MIN or MAX, use the appropriate value specified under recommended operating conditions.

<sup>‡</sup> All typical values are at  $V_{CC} = 5 \text{ V}, T_A = 25^\circ\text{C}$

<sup>§</sup> Not more than one output should be shorted at a time.

#### TEST CONDITIONS FOR $I_{CC}$ (ALL OUTPUTS ARE OPEN)

TYPE	APPLY 4.5 V	FIRST GROUND, THEN APPLY 4.5 V	GROUND
SN54198, SN74198	Serial Input, $S_0, S_1$	Clock	Clear, Inputs A thru H
SN54199, SN74199	J, K, Inputs A thru H	Clock	Clock inhibit, Clear, Shift/Load

  
**TEXAS  
INSTRUMENTS**

POST OFFICE BOX 655012 • DALLAS, TEXAS 75265

**SN54198, SN54199, SN74198, SN74199**  
**8-BIT SHIFT REGISTERS**

switching characteristics,  $V_{CC} = 5\text{ V}$ ,  $T_A = 25^\circ\text{C}$

PARAMETER		TEST CONDITIONS	MIN	TYP	MAX	UNIT
$f_{max}$	Maximum clock frequency	$C_L = 15\text{ pF}$ , $R_L = 400\ \Omega$ , See Figure 1	25	35		MHz
$t_{PHL}$	Propagation delay time, high-to-low-level output from clear			23	35	ns
$t_{PHL}$	Propagation delay time, high-to-low-level output from clock			20	30	ns
$t_{PLH}$	Propagation delay time, low-to-high-level output from clock			17	26	ns



**SN54198, SN54199, SN74198, SN74199**  
**8-BIT SHIFT REGISTERS**

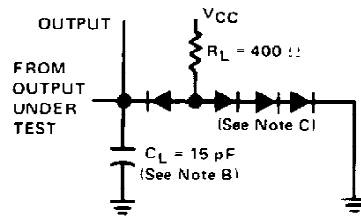
**PARAMETER MEASUREMENT INFORMATION**

**SN54198, SN74198**  
**TEST TABLE FOR SYNCHRONOUS INPUTS**

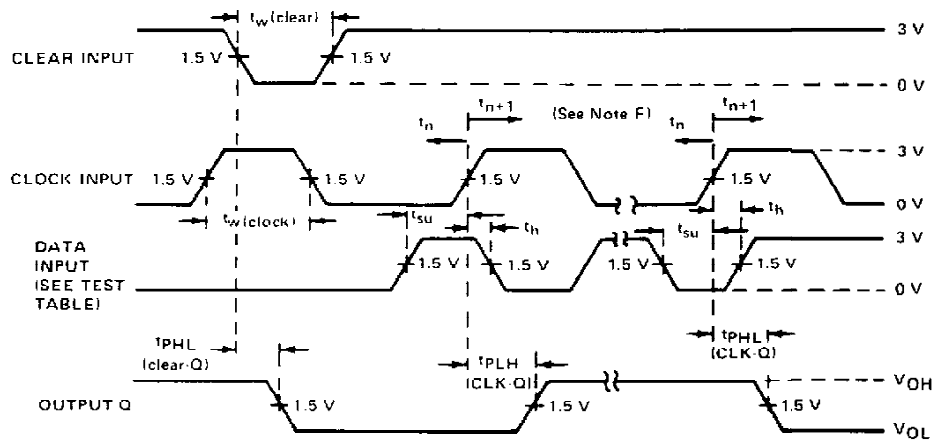
DATA INPUT FOR TEST	S1	S0	OUTPUT TESTED (SEE NOTE E)
A	4.5 V	4.5 V	Q <sub>A</sub> at t <sub>n+1</sub>
B	4.5 V	4.5 V	Q <sub>B</sub> at t <sub>n+1</sub>
C	4.5 V	4.5 V	Q <sub>C</sub> at t <sub>n+1</sub>
D	4.5 V	4.5 V	Q <sub>D</sub> at t <sub>n+1</sub>
E	4.5 V	4.5 V	Q <sub>E</sub> at t <sub>n+1</sub>
F	4.5 V	4.5 V	Q <sub>F</sub> at t <sub>n+1</sub>
G	4.5 V	4.5 V	Q <sub>G</sub> at t <sub>n+1</sub>
H	4.5 V	4.5 V	Q <sub>H</sub> at t <sub>n+1</sub>
L Serial Input	4.5 V	0 V	Q <sub>A</sub> at t <sub>n+8</sub>
R Serial Input	0 V	4.5 V	Q <sub>H</sub> at t <sub>n+8</sub>

**SN54199, SN74199**  
**TEST TABLE FOR SYNCHRONOUS INPUTS**

DATA INPUT FOR TEST	SHIFT/LOAD	OUTPUT TESTED (SEE NOTE E)
A	0 V	Q <sub>A</sub> at t <sub>n+1</sub>
B	0 V	Q <sub>B</sub> at t <sub>n+1</sub>
C	0 V	Q <sub>C</sub> at t <sub>n+1</sub>
D	0 V	Q <sub>D</sub> at t <sub>n+1</sub>
E	0 V	Q <sub>E</sub> at t <sub>n+1</sub>
F	0 V	Q <sub>F</sub> at t <sub>n+1</sub>
G	0 V	Q <sub>G</sub> at t <sub>n+1</sub>
H	0 V	Q <sub>H</sub> at t <sub>n+1</sub>
J and $\bar{K}$	4.5 V	Q <sub>H</sub> at t <sub>n+8</sub>



**LOAD FOR OUTPUT UNDER TEST**



**VOLTAGE WAVEFORMS**

- NOTES:**
- A. The clock pulse has the following characteristics:  $t_w(\text{clock}) = 20 \text{ ns}$  and  $\text{PRR} = 1 \text{ MHz}$ . The clear pulse has the following characteristics:  $t_w(\text{clear}) = 20 \text{ ns}$  and  $t_{\text{hold}} = 0 \text{ ns}$ . When testing  $t_{\text{max}}$ , vary the clock PRR.
  - B.  $C_L$  includes probe and jig capacitance.
  - C. All diodes are 1N3064.
  - D. A clear pulse is applied prior to each test.
  - E. Propagation delay times ( $t_{\text{PLH}}$  and  $t_{\text{PHL}}$ ) are measured at  $t_{n+1}$ . Proper shifting of data is verified at  $t_{n+8}$  with a functional test.
  - F.  $t_n$  = bit time before clocking transition  
 $t_{n+1}$  = bit time after one clocking transition  
 $t_{n+8}$  = bit time after eight clocking transitions

**FIGURE 1**



## IMPORTANT NOTICE

Texas Instruments (TI) reserves the right to make changes to its products or to discontinue any semiconductor product or service without notice, and advises its customers to obtain the latest version of relevant information to verify, before placing orders, that the information being relied on is current.

TI warrants performance of its semiconductor products and related software to the specifications applicable at the time of sale in accordance with TI's standard warranty. Testing and other quality control techniques are utilized to the extent TI deems necessary to support this warranty. Specific testing of all parameters of each device is not necessarily performed, except those mandated by government requirements.

Certain applications using semiconductor products may involve potential risks of death, personal injury, or severe property or environmental damage ("Critical Applications").

TI SEMICONDUCTOR PRODUCTS ARE NOT DESIGNED, INTENDED, AUTHORIZED, OR WARRANTED TO BE SUITABLE FOR USE IN LIFE-SUPPORT APPLICATIONS, DEVICES OR SYSTEMS OR OTHER CRITICAL APPLICATIONS.

Inclusion of TI products in such applications is understood to be fully at the risk of the customer. Use of TI products in such applications requires the written approval of an appropriate TI officer. Questions concerning potential risk applications should be directed to TI through a local SC sales office.

In order to minimize risks associated with the customer's applications, adequate design and operating safeguards should be provided by the customer to minimize inherent or procedural hazards.

TI assumes no liability for applications assistance, customer product design, software performance, or infringement of patents or services described herein. Nor does TI warrant or represent that any license, either express or implied, is granted under any patent right, copyright, mask work right, or other intellectual property right of TI covering or relating to any combination, machine, or process in which such semiconductor products or services might be or are used.

## IMPORTANT NOTICE

Texas Instruments and its subsidiaries (TI) reserve the right to make changes to their products or to discontinue any product or service without notice, and advise customers to obtain the latest version of relevant information to verify, before placing orders, that information being relied on is current and complete. All products are sold subject to the terms and conditions of sale supplied at the time of order acknowledgement, including those pertaining to warranty, patent infringement, and limitation of liability.

TI warrants performance of its semiconductor products to the specifications applicable at the time of sale in accordance with TI's standard warranty. Testing and other quality control techniques are utilized to the extent TI deems necessary to support this warranty. Specific testing of all parameters of each device is not necessarily performed, except those mandated by government requirements.

CERTAIN APPLICATIONS USING SEMICONDUCTOR PRODUCTS MAY INVOLVE POTENTIAL RISKS OF DEATH, PERSONAL INJURY, OR SEVERE PROPERTY OR ENVIRONMENTAL DAMAGE ("CRITICAL APPLICATIONS"). TI SEMICONDUCTOR PRODUCTS ARE NOT DESIGNED, AUTHORIZED, OR WARRANTED TO BE SUITABLE FOR USE IN LIFE-SUPPORT DEVICES OR SYSTEMS OR OTHER CRITICAL APPLICATIONS. INCLUSION OF TI PRODUCTS IN SUCH APPLICATIONS IS UNDERSTOOD TO BE FULLY AT THE CUSTOMER'S RISK.

In order to minimize risks associated with the customer's applications, adequate design and operating safeguards must be provided by the customer to minimize inherent or procedural hazards.

TI assumes no liability for applications assistance or customer product design. TI does not warrant or represent that any license, either express or implied, is granted under any patent right, copyright, mask work right, or other intellectual property right of TI covering or relating to any combination, machine, or process in which such semiconductor products or services might be or are used. TI's publication of information regarding any third party's products or services does not constitute TI's approval, warranty or endorsement thereof.