

SN65518, SN75518 VACUUM FLUORESCENT DISPLAY DRIVERS

SLDS004B – MARCH 1983 – REVISED MAY 1990

- Each Device Drives 32 Lines
- 60-V Output Voltage Swing Capability
- 25-mA Output Source Current Capability
- High-Speed Serially Shifted Data Input
- Latches on All Driver Outputs

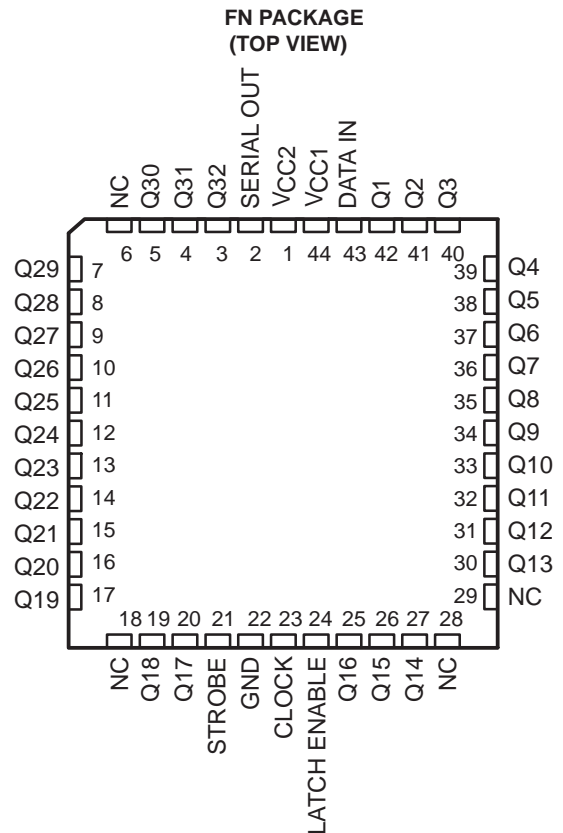
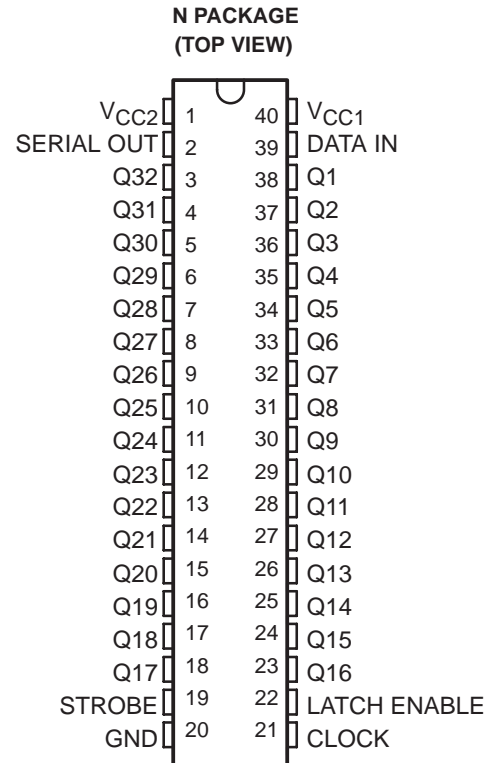
description

The SN65518 and SN75518 are monolithic BIDFET† integrated circuits designed to drive a dot matrix or segmented vacuum fluorescent display.

Each device consists of a 32-bit shift register, 32 latches, and 32 output AND gates. Serial data is entered into the shift register on the low-to-high transition of CLOCK. While LATCH ENABLE is high, parallel data is transferred to the output buffers through a 32-bit latch. Data present in the latch during the high-to-low transition of LATCH ENABLE is latched. When STROBE is low, all Q outputs are enabled. When STROBE is high, all Q outputs are low.

Serial data output from the shift register may be used to cascade additional devices. This output is not affected by LATCH ENABLE or STROBE.

The SN65518 is characterized for operation from -40°C to 85°C. The SN75518 is characterized for operation from 0°C to 70°C.



NC – No internal connection

† BIDFET – Bipolar, double-diffused, N-channel and P-channel MOS transistors on same chip. This is a patented process.

PRODUCTION DATA information is current as of publication date. Products conform to specifications per the terms of Texas Instruments standard warranty. Production processing does not necessarily include testing of all parameters.

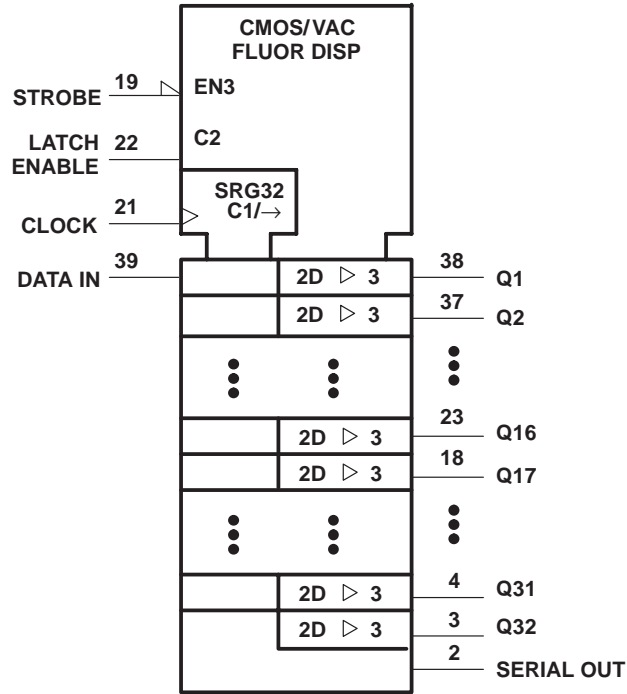
 **TEXAS
INSTRUMENTS**

Copyright © 1990, Texas Instruments Incorporated

SN65518, SN75518 VACUUM FLUORESCENT DISPLAY DRIVERS

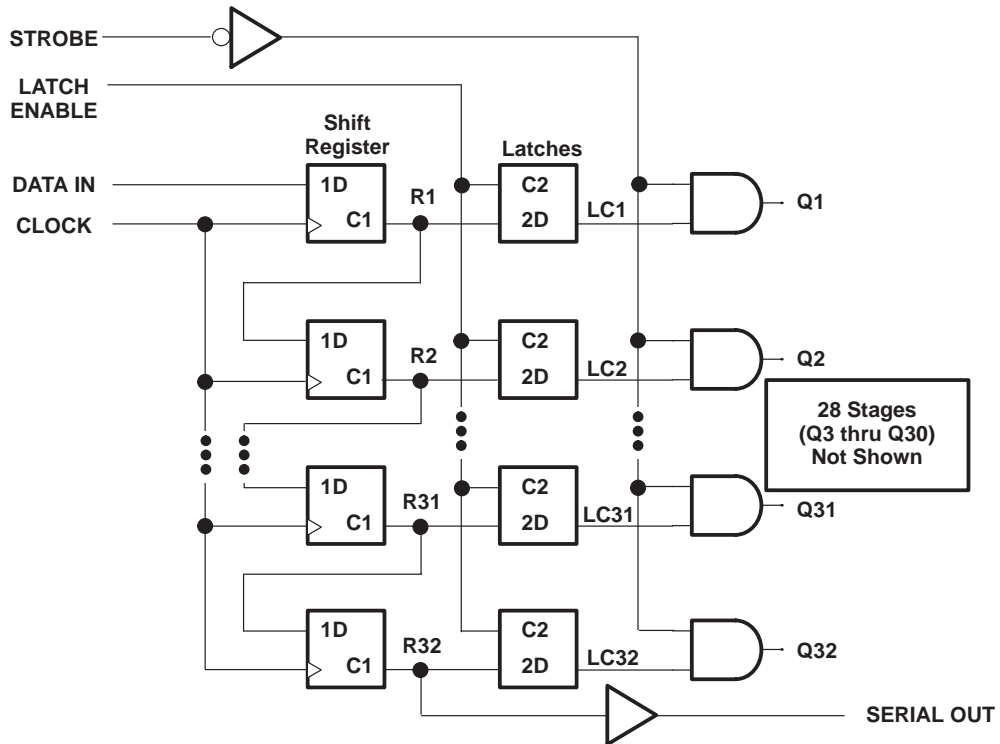
SLDS004B – MARCH 1983 – REVISED MAY 1990

logic symbol†



† This symbol is in accordance with ANSI/IEEE Std 91-1984 and IEC Publication 617-12. Pin numbers shown are for the N package.

logic diagram (positive logic)



SN65518, SN75518 VACUUM FLUORESCENT DISPLAY DRIVERS

SLDS004B – MARCH 1983 – REVISED MAY 1990

FUNCTION TABLE

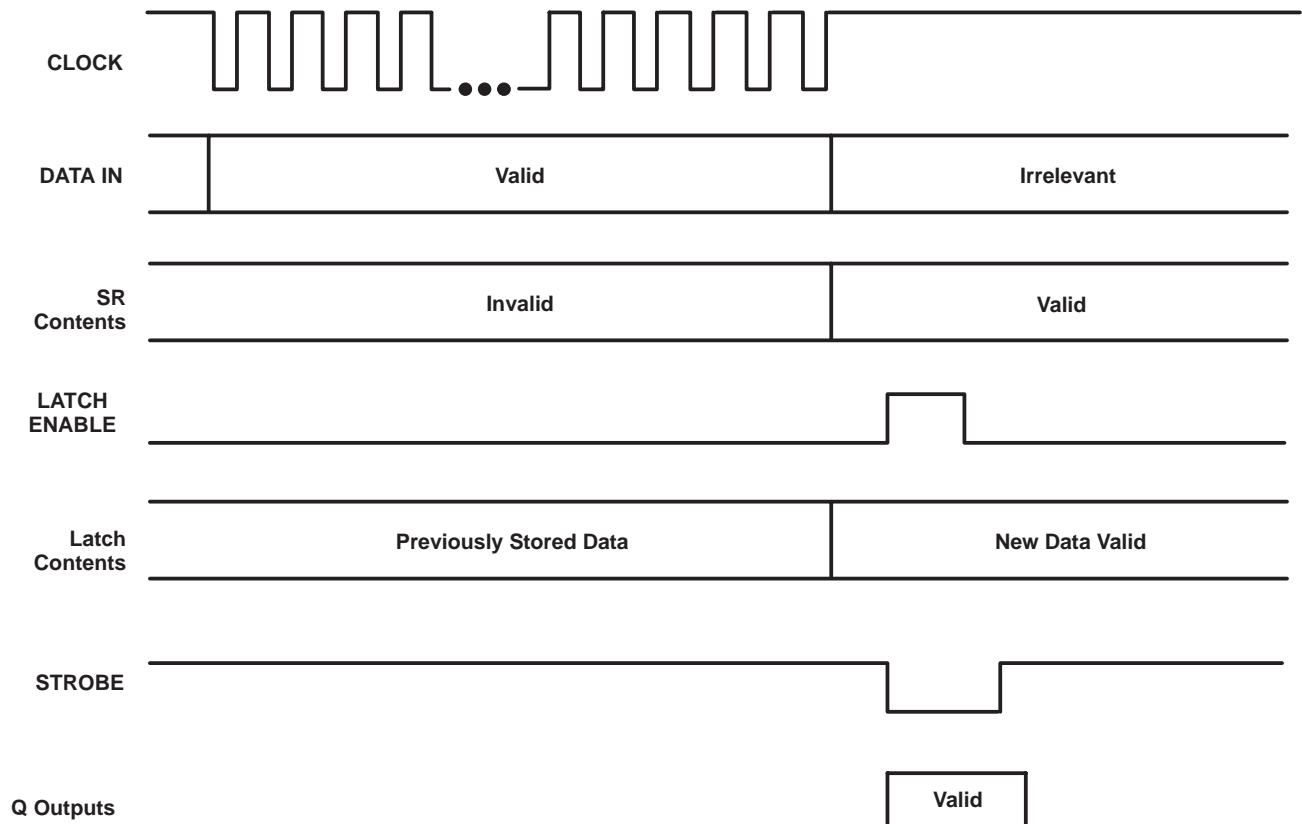
FUNCTION	CONTROL INPUTS			SHIFT REGISTERS R1 THRU R32	LATCHES LC1 THRU LC32	OUTPUTS	
	CLOCK	LATCH ENABLE	STROBE			SERIAL	Q1 THRU Q32
Load	↑ No ↑	X X	X X	Load and shift† No change	Determined by LATCH ENABLE‡	R32	Determined by STROBE
Latch	X X	L H	X X	As determined above	Stored data New data	R32	Determined by STROBE
Strobe	X X	X X	H L	As determined above	Determined by LATCH ENABLE‡	R32	All L LC1 thru LC32, respectively

H = high level, L = low level, X = irrelevant, ↑ = low-to-high-level transition.

† R32 and the serial output take on the state of R31, R31 takes on the state of R30, ... R2 takes on the state of R1, and R1 takes on the state of the data input.

‡ New data enter the latches while LATCH ENABLE is high. These data are stored while LATCH ENABLE is low.

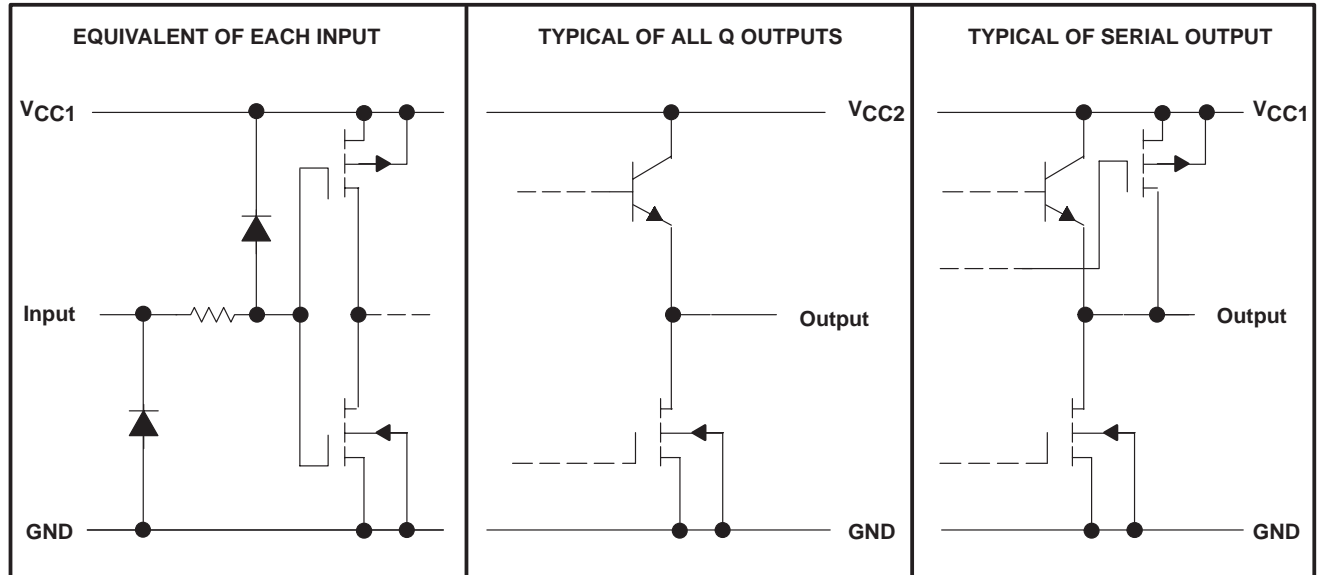
typical operating sequence



SN65518, SN75518 VACUUM FLUORESCENT DISPLAY DRIVERS

SLDS004B – MARCH 1983 – REVISED MAY 1990

schematic of inputs and outputs



absolute maximum ratings over operating free-air temperature range (unless otherwise noted)

Supply voltage, V_{CC1} (see Note 1)	15 V
Supply voltage, V_{CC2}	70 V
Input voltage, V_I	V_{CC1}
Continuous total power dissipation	See Dissipation Rating Table
Operating free-air temperature range, T_A : SN65518	-40°C to 85°C
SN75518	0°C to 70°C
Storage temperature range, T_{stg}	-65°C to 150°C
Case temperature for 10 seconds: FN package	260°C
Lead temperature 1,6 mm (1/16 inch) from case for 10 seconds: N package	260°C

NOTE 1: Voltage values are with respect to network ground terminal.

DISSIPATION RATING TABLE

PACKAGE	$T_A \leq 25^\circ\text{C}$ POWER RATING	DERATING FACTOR ABOVE $T_A = 25^\circ\text{C}$	$T_A = 70^\circ\text{C}$ POWER RATING	$T_A = 85^\circ\text{C}$ POWER RATING
FN	1700 mW	13.6 mW/°C	1088 mW	884 mW
N	1250 mW	10.0 mW/°C	800 mW	650 mW

SN65518, SN75518 VACUUM FLUORESCENT DISPLAY DRIVERS

SLDS004B – MARCH 1983 – REVISED MAY 1990

recommended operating conditions, $T_A = 25^\circ\text{C}$ (unless otherwise noted)

		MIN	MAX	UNIT
Supply voltage, V_{CC1}		4.5	15	V
Supply voltage, V_{CC2}		0	60	V
High-level input voltage, V_{IH} (see Figure 1)	$V_{CC1} = 4.5\text{ V}$	3.5		V
	$V_{CC1} = 15\text{ V}$	12		
Low-level input voltage, V_{IL} (see Figure 1)		-0.3	0.8	V
High-level output current, I_{OH}			-25	mA
Low-level output current, I_{OL}			2	mA
Clock frequency, f_{clock} (see Figure 2)	$V_{CC1} = 10\text{ V to }15\text{ V}$	0	5	MHz
	$V_{CC1} = 4.5\text{ V}$	0	1	
Pulse duration, CLOCK high, $t_w(\text{CKH})$	$V_{CC1} = 10\text{ V to }15\text{ V}$	100		ns
	$V_{CC1} = 4.5\text{ V}$	500		
Pulse duration, CLOCK low, $t_w(\text{CKL})$	$V_{CC1} = 10\text{ V to }15\text{ V}$	100		ns
	$V_{CC1} = 4.5\text{ V}$	500		
Setup time, DATA IN before CLOCK \uparrow , t_{su}	$V_{CC1} = 10\text{ V to }15\text{ V}$	75		ns
	$V_{CC1} = 4.5\text{ V}$	150		
Hold time, DATA IN after CLOCK \uparrow , t_h	$V_{CC1} = 10\text{ V to }15\text{ V}$	75		ns
	$V_{CC1} = 4.5\text{ V}$	150		
Operating free-air temperature, T_A	SN65518	-40	85	$^\circ\text{C}$
	SN75518	0	70	

electrical characteristics over recommended ranges of operating free-air temperature and V_{CC1} , $V_{CC2} = 60\text{ V}$ (unless otherwise noted)

PARAMETER		TEST CONDITIONS		MIN	TYP \dagger	MAX	UNIT
V_{IK}	Input clamp voltage	$I_I = -12\text{ mA}$				-1.5	V
V_{OH}	High-level output voltage	Q outputs	$I_{OH} = -25\text{ mA}$	57.5	58		V
		SERIAL OUT	$V_{CC1} = 5\text{ V}$, $I_{OH} = -20\text{ }\mu\text{A}$	4.5	4.9	5	
V_{OL}	Low-level output voltage	Q outputs	$I_{OL} = 1\text{ mA}$			5	V
		SERIAL OUT	$I_{OL} = 20\text{ }\mu\text{A}$	0.06	0.8		
I_{IH}	High-level input current	$V_{CC1} = 15\text{ V}$,	$V_I = 15\text{ V}$	0.1		1	μA
I_{IL}	Low-level input current	$V_{CC1} = 15\text{ V}$,	$V_I = 0\text{ V}$	-0.1		-1	μA
I_{CC1}	Supply current	$V_{CC1} = 4.5\text{ V}$		1.8		4	mA
		$V_{CC1} = 15\text{ V}$		2		5	
I_{CC2}	Supply current	SN65518	Outputs high, $T_A = -40^\circ\text{C}$			12	mA
		SN65518, SN75518	Outputs high, $T_A = 0^\circ\text{C to MAX}$	7		10	
			Outputs low	0.01		0.5	

\dagger All typical values are at $T_A = 25^\circ\text{C}$.



SN65518, SN75518 VACUUM FLUORESCENT DISPLAY DRIVERS

SLDS004B – MARCH 1983 – REVISED MAY 1990

switching characteristics, $V_{CC2} = 60\text{ V}$, $C_L = 50\text{ pF}$, $T_A = 25^\circ\text{C}$ (unless otherwise noted)

PARAMETER		TEST CONDITIONS		MIN	MAX	UNIT
t_d	Delay time, CLOCK to DATA OUT	$V_{CC1} = 4.5\text{ V}$	$C_L = 15\text{ pF}$, See Figure 4	600		ns
		$V_{CC1} = 15\text{ V}$		150		
t_{DHL}	Delay time, high-to-low-level Q output	From LATCH ENABLE	$V_{CC1} = 4.5\text{ V}$	See Figure 5		μs
		From STROBE		See Figure 6		
		From LATCH ENABLE	$V_{CC1} = 15\text{ V}$	See Figure 5		
		From STROBE		See Figure 6		
t_{DLH}	Delay time, low-to-high-level Q output	From LATCH ENABLE	$V_{CC1} = 4.5\text{ V}$	See Figure 5		μs
		From STROBE		See Figure 6		
		From LATCH ENABLE	$V_{CC1} = 15\text{ V}$	See Figure 5		
		From STROBE		See Figure 6		
t_{THL}	Transition time, high-to-low-level Q output	$V_{CC1} = 4.5\text{ V}$	See Figure 6	3		μs
		$V_{CC1} = 15\text{ V}$		1.5		
t_{TLH}	Transition time, low-to-high-level Q output	$V_{CC1} = 4.5\text{ V}$	See Figure 6	2.5		μs
		$V_{CC1} = 15\text{ V}$		0.75		

RECOMMENDED OPERATING CONDITIONS

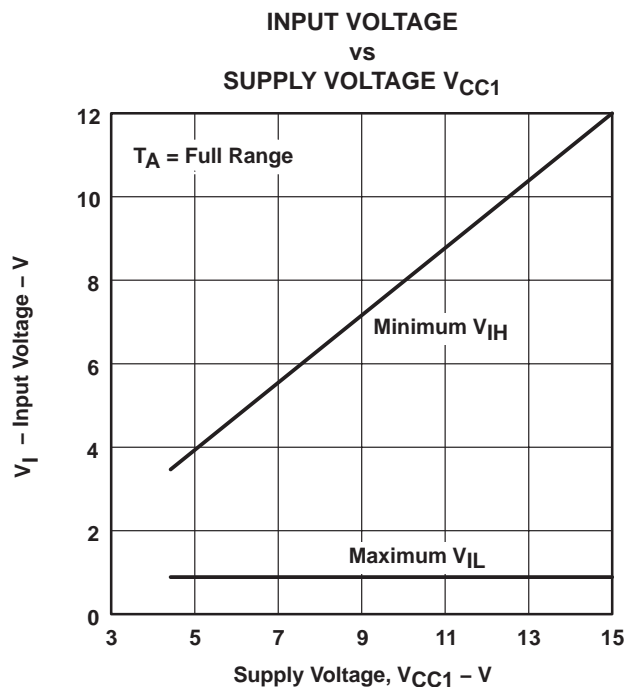


Figure 1

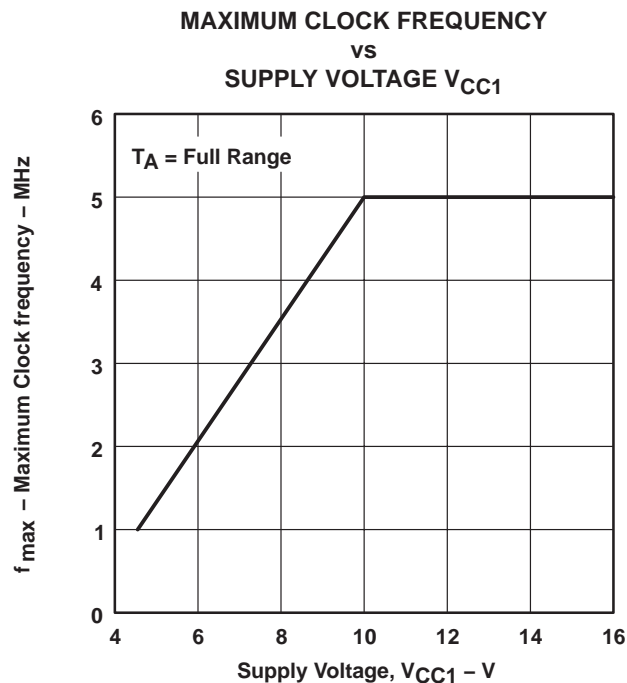


Figure 2



PARAMETER MEASUREMENT INFORMATION†

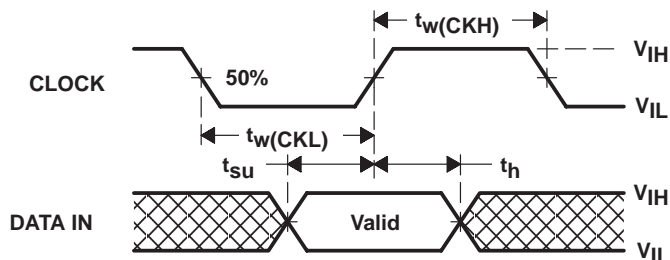


Figure 3. Input Timing Waveforms

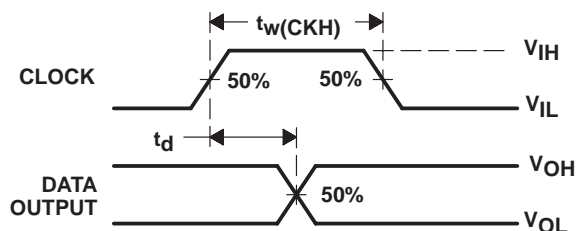


Figure 4. Data Output Switching Times

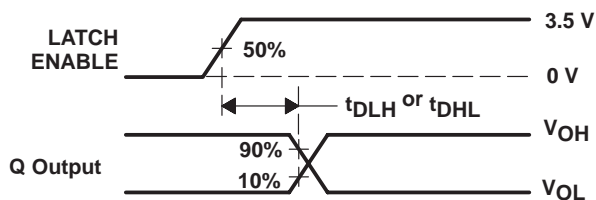


Figure 5. Q Output Switching Times

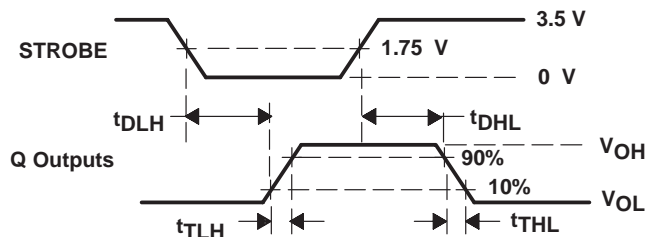


Figure 6. Switching Time Voltage Waveforms

† For testing purposes, all input pulses have maximum rise and fall times of 30 ns.

IMPORTANT NOTICE

Texas Instruments Incorporated and its subsidiaries (TI) reserve the right to make corrections, modifications, enhancements, improvements, and other changes to its products and services at any time and to discontinue any product or service without notice. Customers should obtain the latest relevant information before placing orders and should verify that such information is current and complete. All products are sold subject to TI's terms and conditions of sale supplied at the time of order acknowledgment.

TI warrants performance of its hardware products to the specifications applicable at the time of sale in accordance with TI's standard warranty. Testing and other quality control techniques are used to the extent TI deems necessary to support this warranty. Except where mandated by government requirements, testing of all parameters of each product is not necessarily performed.

TI assumes no liability for applications assistance or customer product design. Customers are responsible for their products and applications using TI components. To minimize the risks associated with customer products and applications, customers should provide adequate design and operating safeguards.

TI does not warrant or represent that any license, either express or implied, is granted under any TI patent right, copyright, mask work right, or other TI intellectual property right relating to any combination, machine, or process in which TI products or services are used. Information published by TI regarding third-party products or services does not constitute a license from TI to use such products or services or a warranty or endorsement thereof. Use of such information may require a license from a third party under the patents or other intellectual property of the third party, or a license from TI under the patents or other intellectual property of TI.

Reproduction of TI information in TI data books or data sheets is permissible only if reproduction is without alteration and is accompanied by all associated warranties, conditions, limitations, and notices. Reproduction of this information with alteration is an unfair and deceptive business practice. TI is not responsible or liable for such altered documentation. Information of third parties may be subject to additional restrictions.

Resale of TI products or services with statements different from or beyond the parameters stated by TI for that product or service voids all express and any implied warranties for the associated TI product or service and is an unfair and deceptive business practice. TI is not responsible or liable for any such statements.

TI products are not authorized for use in safety-critical applications (such as life support) where a failure of the TI product would reasonably be expected to cause severe personal injury or death, unless officers of the parties have executed an agreement specifically governing such use. Buyers represent that they have all necessary expertise in the safety and regulatory ramifications of their applications, and acknowledge and agree that they are solely responsible for all legal, regulatory and safety-related requirements concerning their products and any use of TI products in such safety-critical applications, notwithstanding any applications-related information or support that may be provided by TI. Further, Buyers must fully indemnify TI and its representatives against any damages arising out of the use of TI products in such safety-critical applications.

TI products are neither designed nor intended for use in military/aerospace applications or environments unless the TI products are specifically designated by TI as military-grade or "enhanced plastic." Only products designated by TI as military-grade meet military specifications. Buyers acknowledge and agree that any such use of TI products which TI has not designated as military-grade is solely at the Buyer's risk, and that they are solely responsible for compliance with all legal and regulatory requirements in connection with such use.

TI products are neither designed nor intended for use in automotive applications or environments unless the specific TI products are designated by TI as compliant with ISO/TS 16949 requirements. Buyers acknowledge and agree that, if they use any non-designated products in automotive applications, TI will not be responsible for any failure to meet such requirements.

Following are URLs where you can obtain information on other Texas Instruments products and application solutions:

Products

Amplifiers	amplifier.ti.com
Data Converters	dataconverter.ti.com
DLP® Products	www.dlp.com
DSP	dsp.ti.com
Clocks and Timers	www.ti.com/clocks
Interface	interface.ti.com
Logic	logic.ti.com
Power Mgmt	power.ti.com
Microcontrollers	microcontroller.ti.com
RFID	www.ti-rfid.com
RF/IF and ZigBee® Solutions	www.ti.com/lprf

Applications

Audio	www.ti.com/audio
Automotive	www.ti.com/automotive
Broadband	www.ti.com/broadband
Digital Control	www.ti.com/digitalcontrol
Medical	www.ti.com/medical
Military	www.ti.com/military
Optical Networking	www.ti.com/opticalnetwork
Security	www.ti.com/security
Telephony	www.ti.com/telephony
Video & Imaging	www.ti.com/video
Wireless	www.ti.com/wireless

Mailing Address: Texas Instruments, Post Office Box 655303, Dallas, Texas 75265
Copyright © 2009, Texas Instruments Incorporated