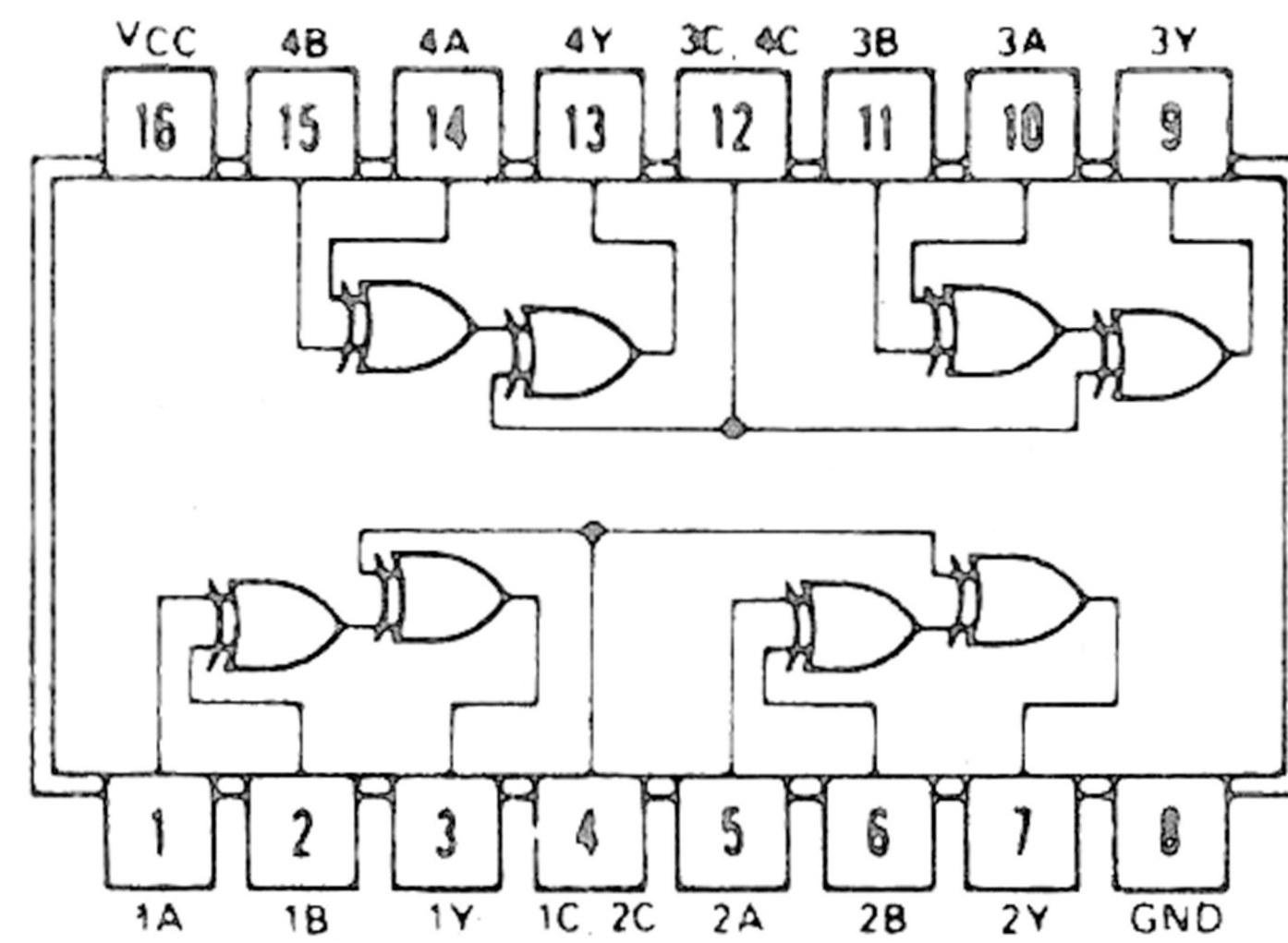


# SN74135



135 Cztery bramki EXOR/NOR

*Quad Exclusive OR/NOR gates*

$$Y = (A \oplus B) \oplus C = A\bar{B}\bar{C} + \bar{A}B\bar{C} + \bar{A}\bar{B}C + ABC$$