

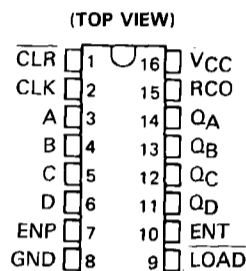
**SN54160 THRU SN54163, SN54LS160A THRU SN54LS163A,  
SN54S162, SN54S163, SN74160 THRU SN74163,  
SN74LS160A THRU SN74LS163A, SN74S162, SN74S163  
SYNCHRONOUS 4-BIT COUNTERS**

OCTOBER 1976 — REVISED MARCH 1988

'160, '161, 'LS160A, 'LS161A . . . SYNCHRONOUS COUNTERS WITH DIRECT CLEAR  
'162, '163, 'LS162A, 'LS163A, 'S162, 'S163 . . . FULLY SYNCHRONOUS COUNTERS

- Internal Look-Ahead for Fast Counting
- Carry Output for n-Bit Cascading
- Synchronous Counting
- Synchronously Programmable
- Load Control Line
- Diode-Clamped Inputs

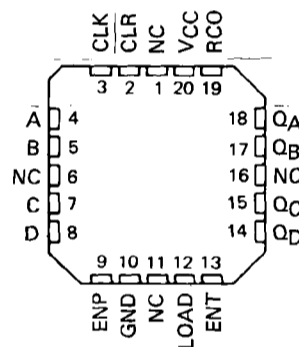
SERIES 54', 54LS', 54S' . . . J OR W PACKAGE  
SERIES 74' . . . N PACKAGE  
SERIES 74LS', 74S' . . . D OR N PACKAGE



NC—No internal connection

TYPE	TYPICAL PROPAGATION TIME, CLOCK TO Q OUTPUT	TYPICAL	TYPICAL
		MAXIMUM CLOCK FREQUENCY	POWER DISSIPATION
'160 thru '163	14 ns	32 MHz	305 mW
'LS162A thru 'LS163A	14 ns	32 MHz	93 mW
'S162 and 'S163	9 ns	70 MHz	475 mW

SERIES 54LS', 54S' . . . FK PACKAGE  
(TOP VIEW)



NC—No internal connection

**description**

These synchronous, presettable counters feature an internal carry look-ahead for application in high-speed counting designs. The '160, '162, 'LS160A, 'LS162A, and 'S162 are decade counters and the '161, '163, 'LS161A, 'LS163A, and 'S163 are 4-bit binary counters. Synchronous operation is provided by having all flip-flops clocked simultaneously so that the outputs change coincident with each other when so instructed by the count-enable inputs and internal gating. This mode of operation eliminates the output counting spikes that are normally associated with asynchronous (ripple clock) counters, however counting spikes may occur on the (RCO) ripple carry output. A buffered clock input triggers the four flip-flops on the rising edge of the clock input waveform.

These counters are fully programmable; that is, the outputs may be preset to either level. As presetting is synchronous, setting up a low level at the load input disables the counter and causes the outputs to agree with the setup data after the next clock pulse regardless of the levels of the enable inputs. Low-to-high transitions at the load input of the '160 thru '163 should be avoided when the clock is low if the enable inputs are high at or before the transition. This restriction is not applicable to the 'LS160A thru 'LS163A or 'S162 or 'S163. The clear function for the '160, '161, 'LS160A, and 'LS161A is asynchronous and a low level at the clear input sets all four of the flip-flop outputs low regardless of the levels of clock, load, or enable inputs. The clear function for the '162, '163, 'LS162A, 'LS163A, 'S162, and 'S163 is synchronous and a low level at the clear input sets all four of the flip-flop outputs low after the next clock pulse, regardless of the levels of the enable inputs. This synchronous clear allows the count length to be modified easily as decoding the maximum count desired can be accomplished with one external NAND gate. The gate output is connected to the clear input to synchronously clear the counter to 0000 (LLLL). Low-to-high transitions at the clear input of the '162 and '163 should be avoided when the clock is low if the enable and load inputs are high at or before the transition.

PRODUCTION DATA documents contain information current as of publication date. Products conform to specifications per the terms of Texas Instruments standard warranty. Production processing does not necessarily include testing of all parameters.

**TEXAS  
INSTRUMENTS**

POST OFFICE BOX 655012 • DALLAS, TEXAS 75265

2-493

2

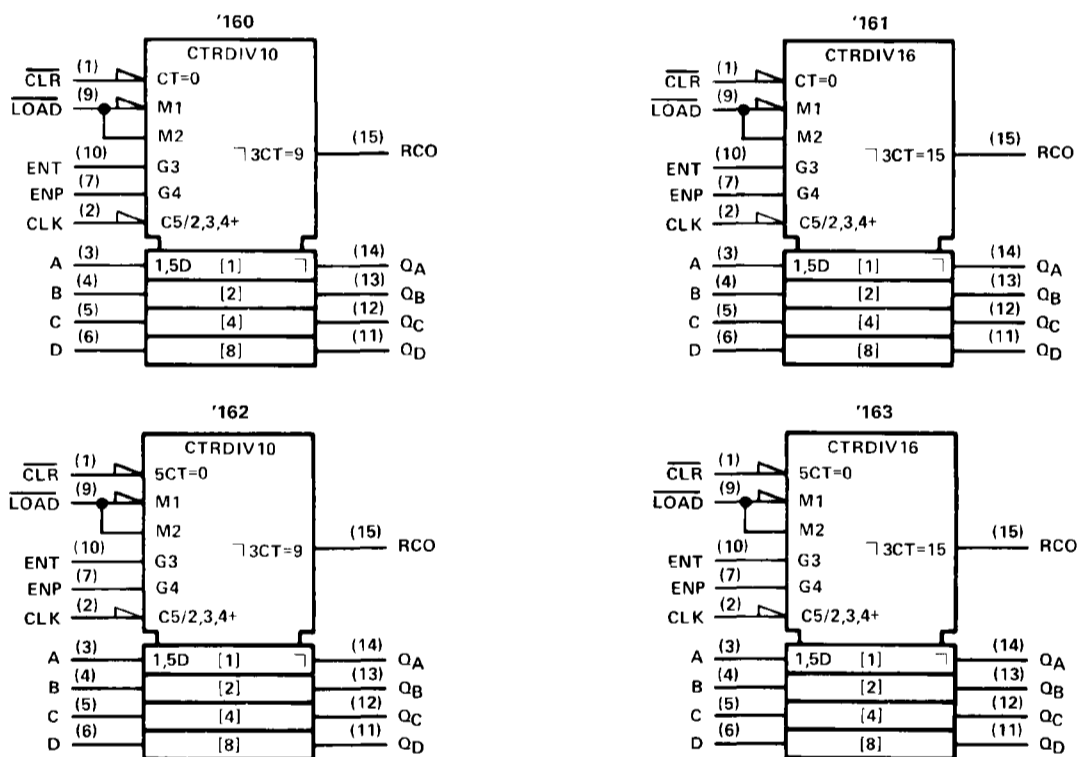
TTL Devices

**SN54160 THRU SN54163, SN54LS160A THRU SN54LS163A,  
SN54S162, SN54S163, SN74160 THRU SN74163,  
SN74LS160A THRU SN74LS163A, SN74S162, SN74S163  
SYNCHRONOUS 4-BIT COUNTERS**

The carry look-ahead circuitry provides for cascading counters for n-bit synchronous applications without additional gating. Instrumental in accomplishing this function are two count-enable inputs and a ripple carry output. Both count-enable inputs (P and T) must be high to count, and input T is fed forward to enable the ripple carry output. The ripple carry output thus enabled will produce a high-level output pulse with a duration approximately equal to the high-level portion of the  $Q_A$  output. This high-level overflow ripple carry pulse can be used to enable successive cascaded stages. High-to-low-level transitions at the enable P or T inputs of the '160 thru '163 should occur only when the clock input is high. Transitions at the enable P or T inputs of the 'LS160A thru 'LS163A or 'S162 and 'S163 are allowed regardless of the level of the clock input.

'LS160A thru 'LS163A, 'S162 and 'S163 feature a fully independent clock circuit. Changes at control inputs (enable P or T, or load) that will modify the operating mode have no effect until clocking occurs. The function of the counter (whether enabled, disabled, loading, or counting) will be dictated solely by the conditions meeting the stable setup and hold times.

logic symbols†

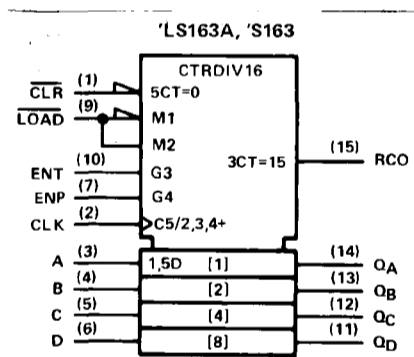
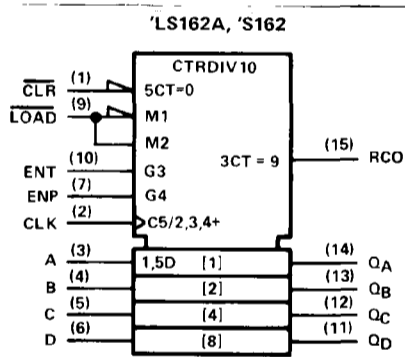
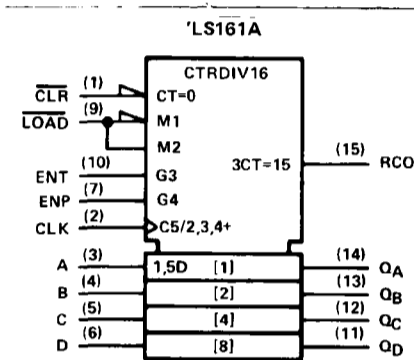
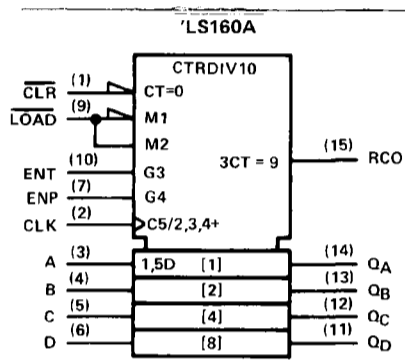


†These symbols are in accordance with ANSI/IEEE Std 91-1984 and IEC Publication 617-12.

Pin numbers shown are for D, J, N, and W packages.

**SN54LS160A THRU SN54LS163A, SN54S162, SN54S163,  
SN74LS160A THRU SN74LS163A, SN74S162, SN74S163  
SYNCHRONOUS 4-BIT COUNTERS**

logic symbols (continued)<sup>†</sup>



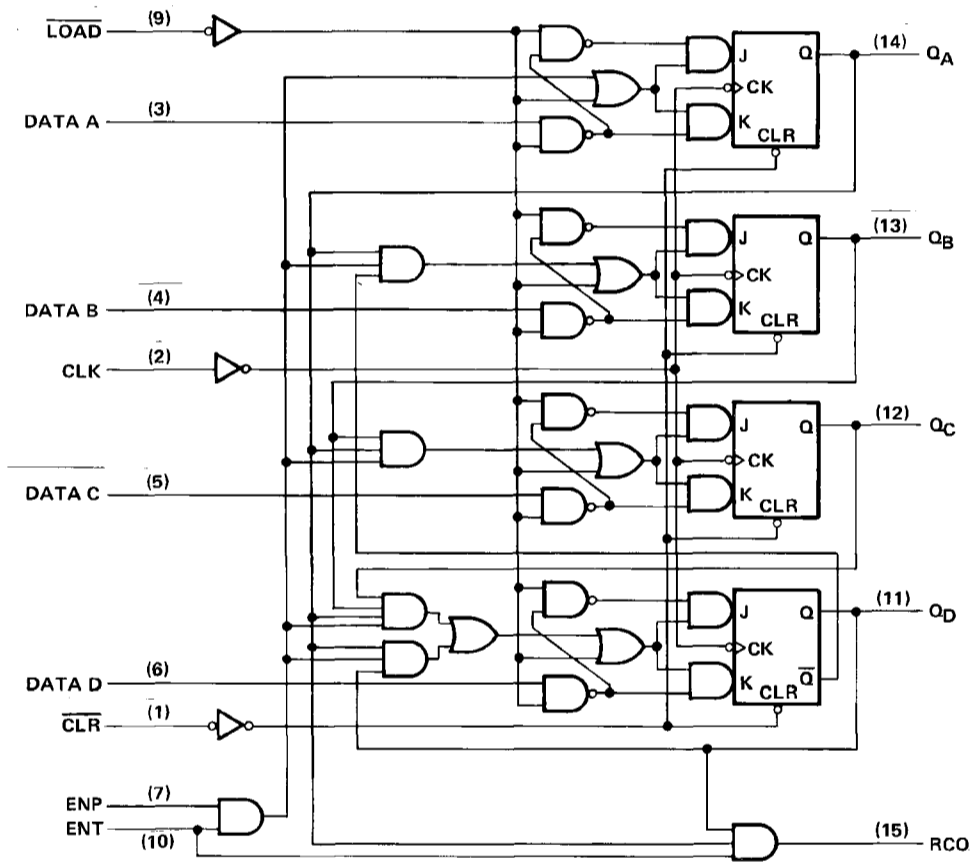
<sup>†</sup>These symbols are in accordance with ANSI/IEEE Std 91-1984 and IEC Publication 617-12. Pin numbers shown are for D, J, N, and W packages.

**SN54160, SN54162, SN74160, SN74162**  
**SYNCHRONOUS 4-BIT COUNTERS**

logic diagram (positive logic)

**SN54160, SN74160 SYNCHRONOUS DECADE COUNTERS**

SN54162, SN74162 synchronous decade counters are similar; however the clear is synchronous as shown for the SN54163, SN74163 binary counters at right.



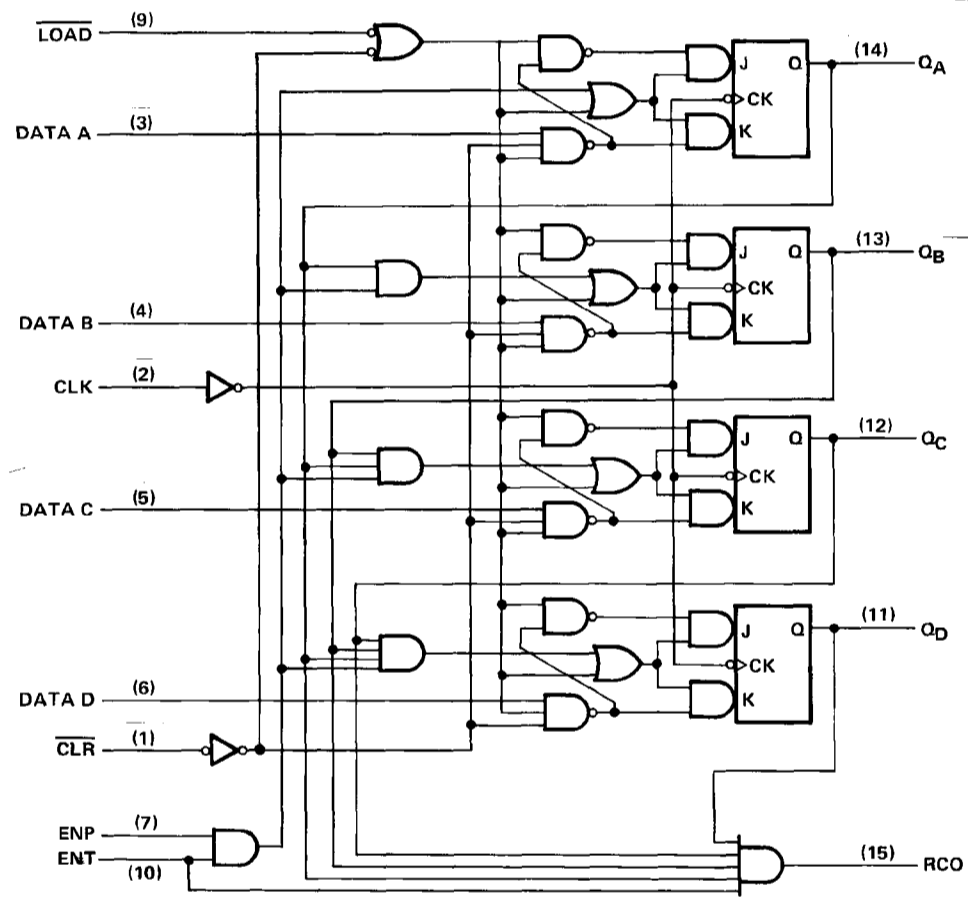
Pin numbers shown are for D, J, N, and W packages

**SN54161, SN54163, SN74161, SN74163  
SYNCHRONOUS 4-BIT COUNTERS**

logic diagram (positive logic)

**SN54163, SN74163 SYNCHRONOUS BINARY COUNTERS**

SN54161, SN74161 synchronous binary counters are similar; however, the clear is asynchronous as shown for the SN54160, SN74160 decade counters at left.



Pin numbers shown are for D, J, N, and W packages.

**2**  
TTL Devices

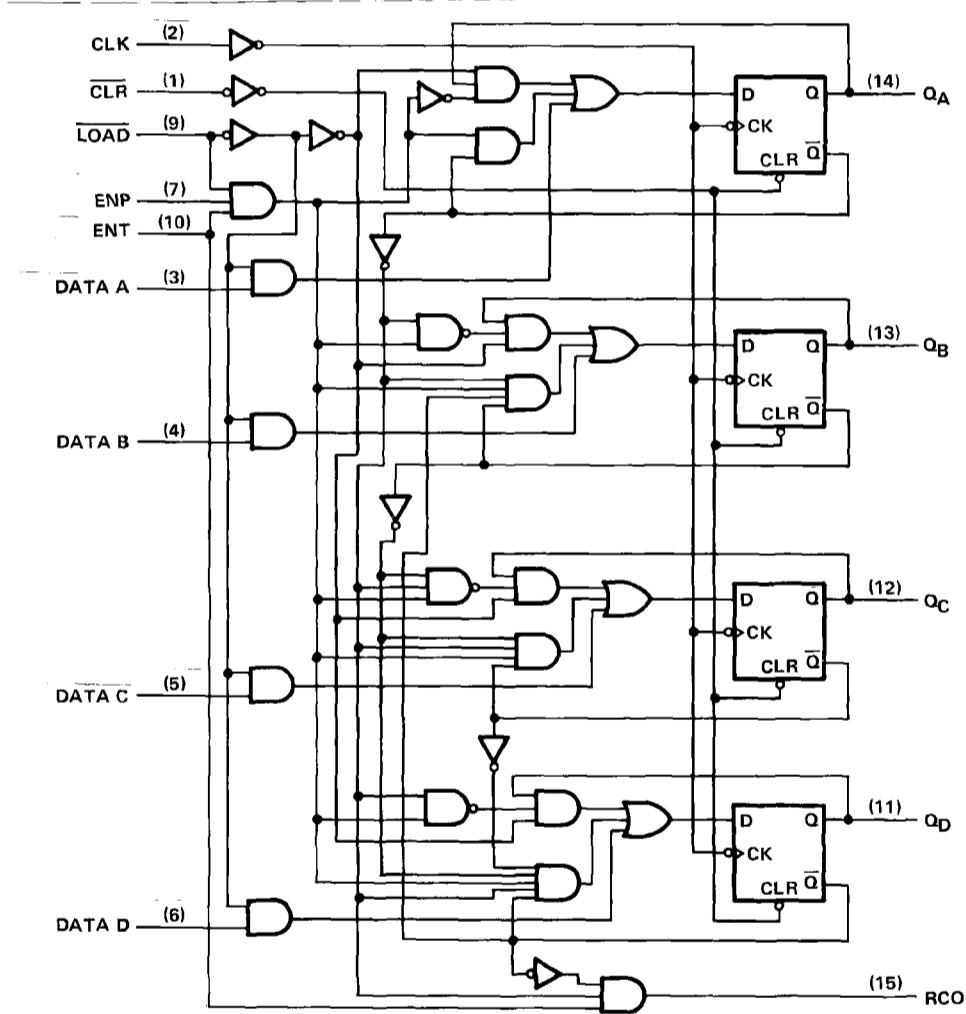
**SN54LS160A, SN54LS162A, SN74LS160A, SN74LS162A  
SYNCHRONOUS 4-BIT COUNTERS**

logic diagram (positive logic)

**SN54LS160A, SN74LS160A SYNCHRONOUS  
DECADE COUNTERS**

SN54LS162A, SN74LS162A synchronous decade counters are similar; however the clear is synchronous as shown for the SN54LS163A, SN74LS163A binary counters at right.

**2**  
TTL Devices



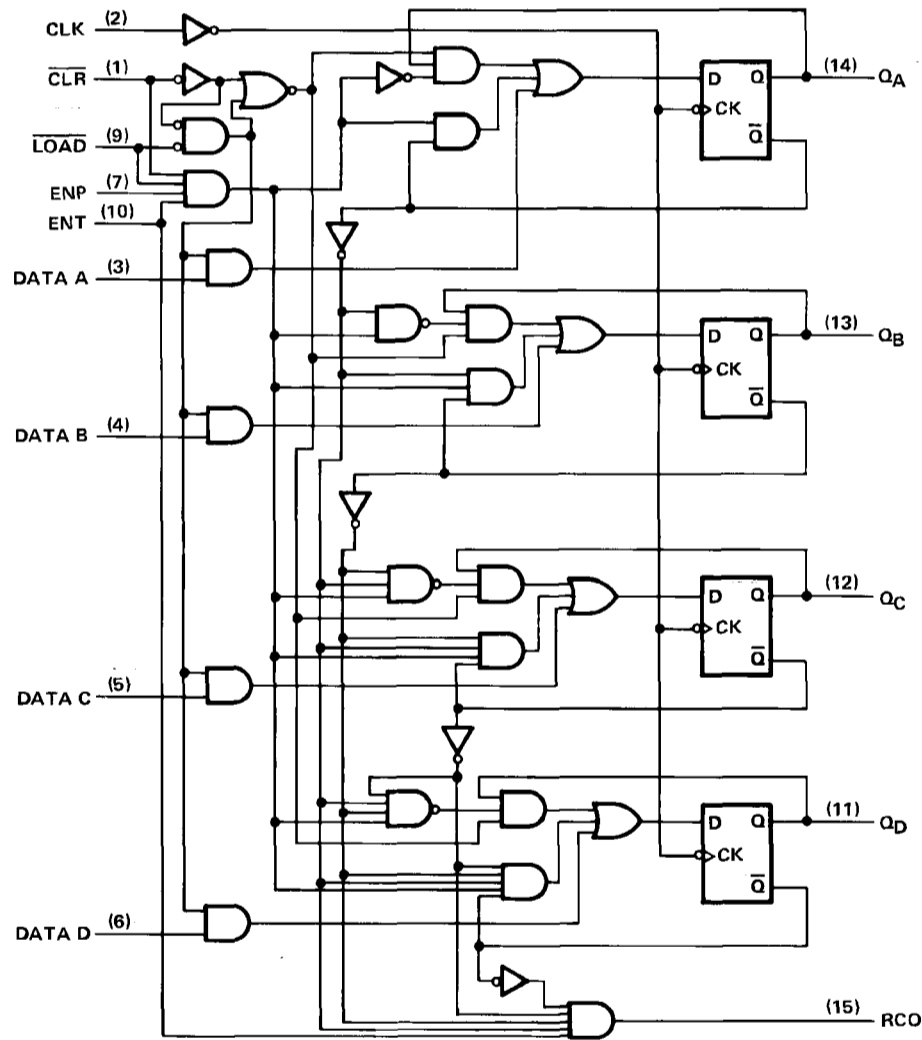
Pin numbers shown are for D, J, N, and W packages.

**SN54LS161A, SN54LS163A, SN74LS161A, SN74LS163A  
SYNCHRONOUS 4-BIT COUNTERS**

logic diagram (positive logic)

**SN54LS163A, SN74LS163A SYNCHRONOUS  
BINARY COUNTERS**

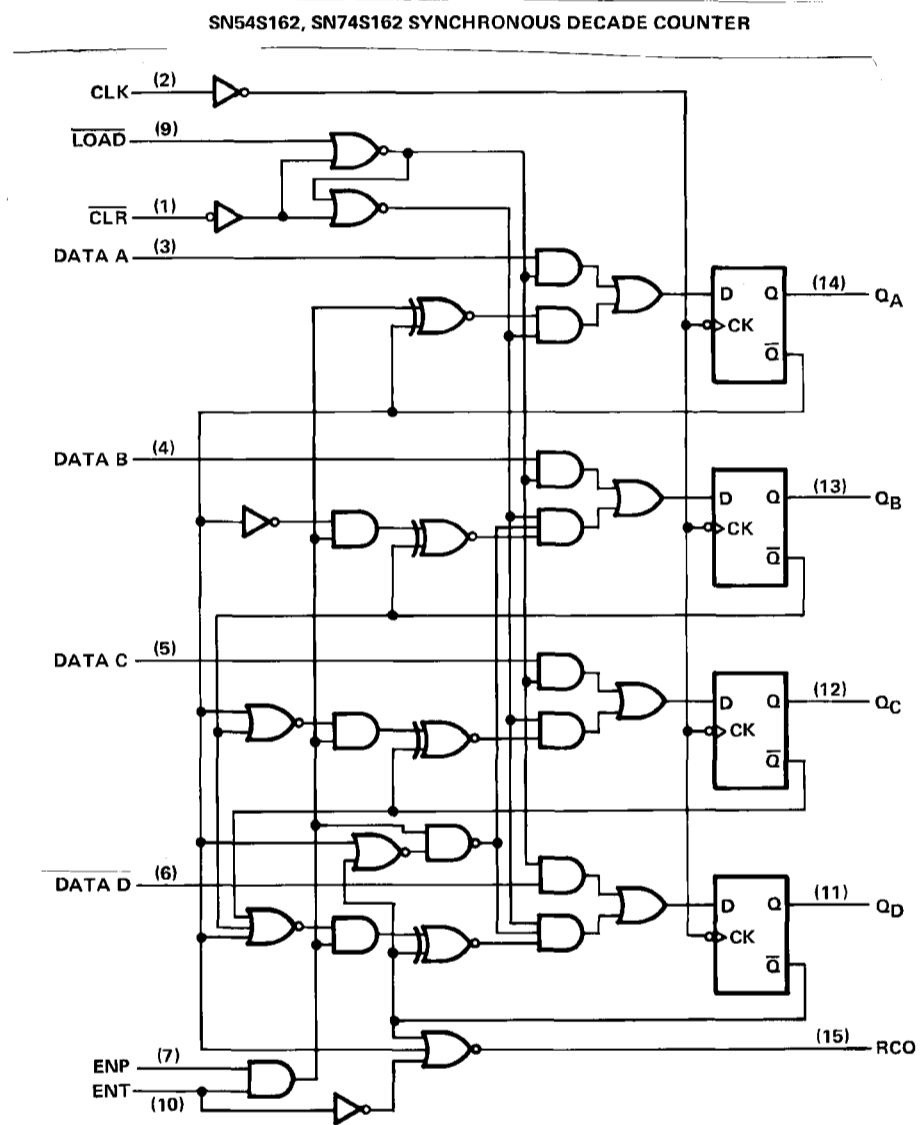
SN54LS161A, SN74LS161A synchronous binary counters are similar; however, the clear is asynchronous as shown for the SN54LS160A, SN74LS160A decade counters at left.



Pin numbers shown are for D, J, N, and W packages.

**SN54S162, SN74S162**  
**SYNCHRONOUS 4-BIT COUNTERS**

logic diagram (positive logic)

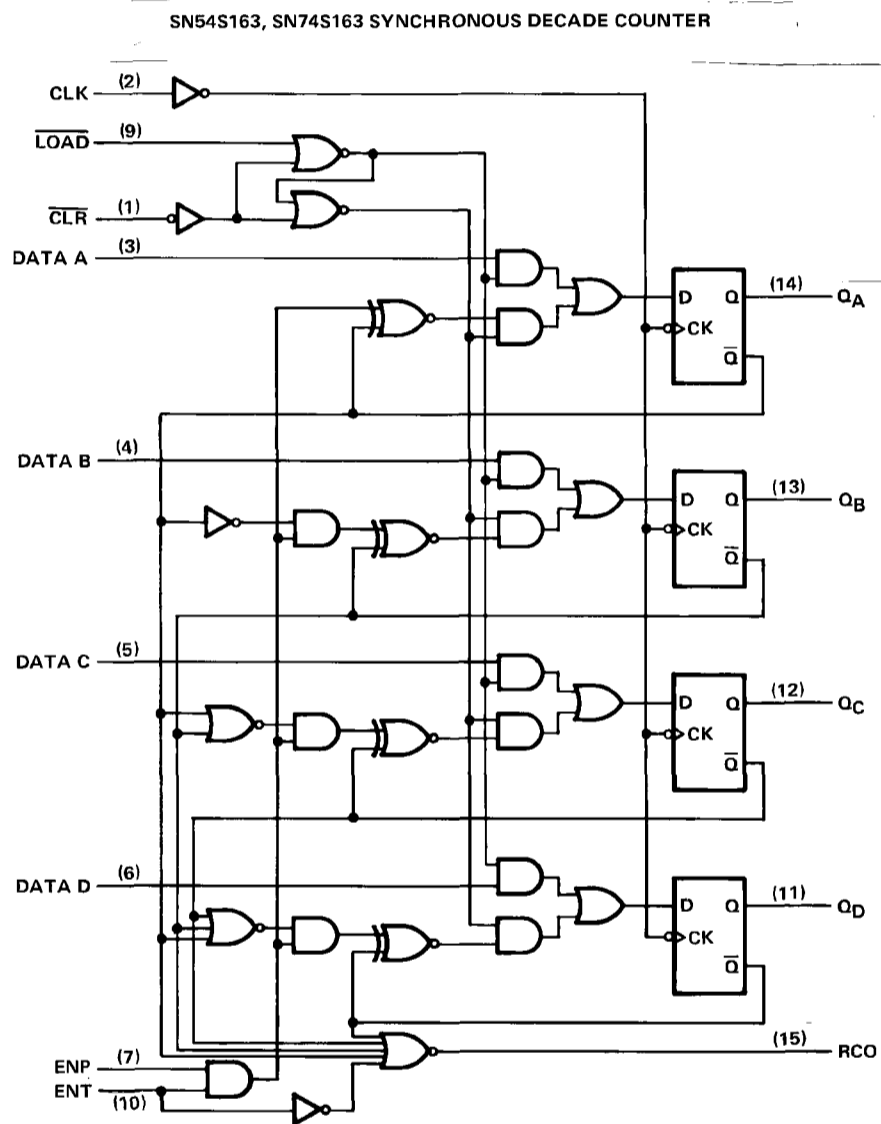


Pin numbers shown are for D, J, N, and W packages.



**SN54S163, SN74S163  
SYNCHRONOUS 4-BIT COUNTERS**

logic diagram (positive logic)



Pin numbers shown are for D, J, N, and W packages.

**2**  
TTL Devices

**SN54160, SN54162, SN54LS160A, SN54LS162A, SN54S162,  
SN74160, SN74162, SN74LS160A, SN74LS162A, SN74S162  
SYNCHRONOUS 4-BIT COUNTERS**

**MPUGRAPH  
OR EQUIVA**

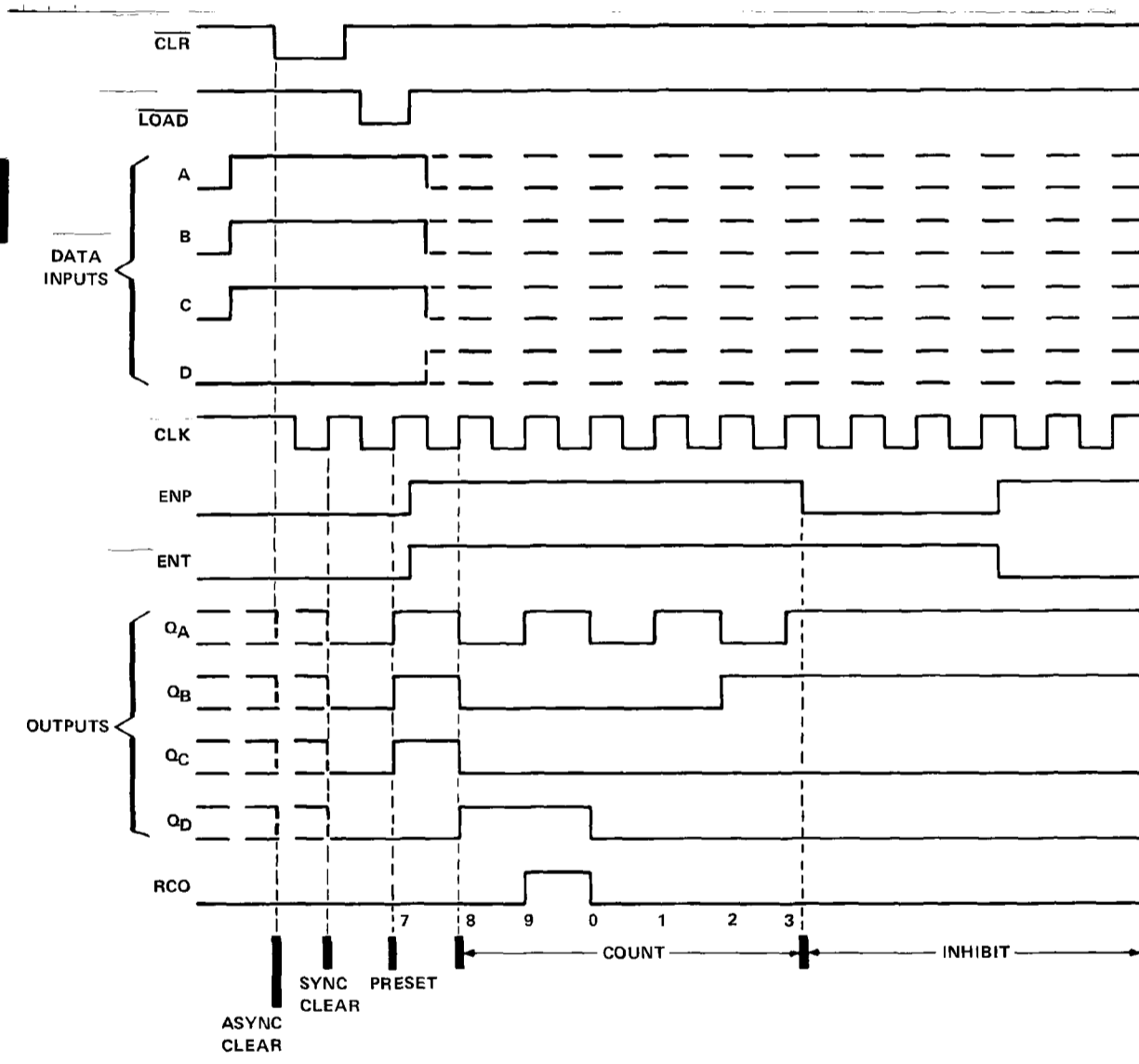
**'160, '162, 'LS160A, 'LS162A, 'S162 DECADE COUNTERS**

typical clear, preset, count, and inhibit sequences

Illustrated below is the following sequence:

1. Clear outputs to zero ('160 and 'LS160A are asynchronous; '162, 'LS162A, and 'S162 are synchronous)
2. Preset to BCD seven
3. Count to eight, nine, zero, one, two, and three
4. Inhibit

**2**  
TTL Devices



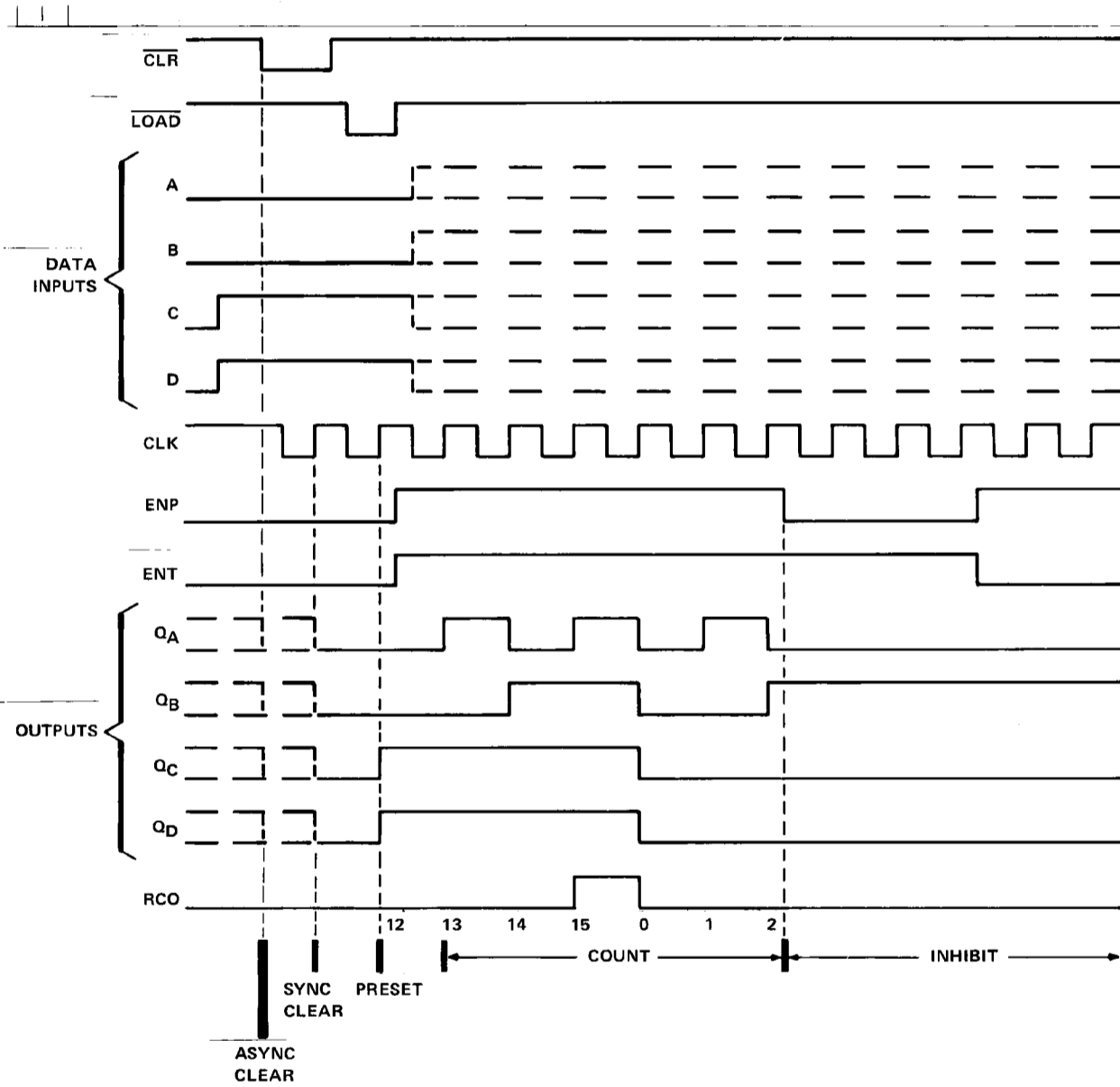
**SN54161, SN54163, SN54LS161A, SN54LS163A, SN54S163,  
SN74161, SN74163, SN74LS161A, SN74LS163A, SN74S163  
SYNCHRONOUS 4-BIT COUNTERS**

**'161, 'LS161A, '163, 'LS163A, 'S163 BINARY COUNTERS**

**typical clear, preset, count, and inhibit sequences**

Illustrated below is the following sequence:

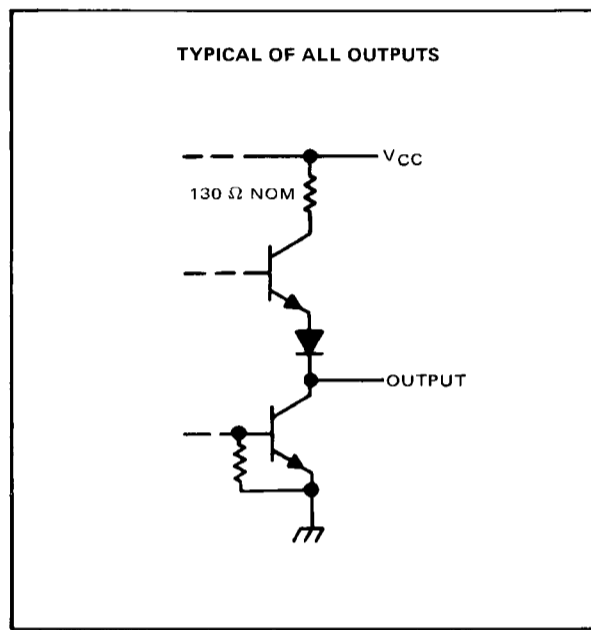
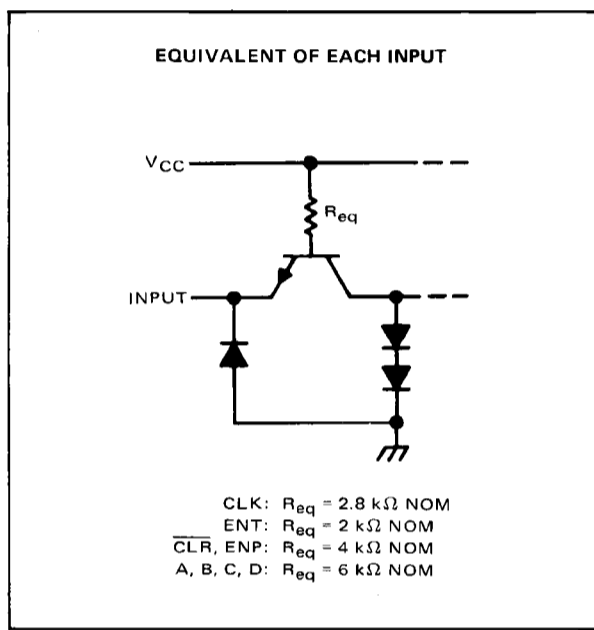
1. Clear outputs to zero ('161 and 'LS161A are asynchronous; '163, 'LS163A, and 'S163 are synchronous)
2. Preset to binary twelve
3. Count to thirteen, fourteen fifteen, zero, one, and two
4. Inhibit



**2**  
TTL Devices

**SN54160 THRU SN54163, SN74160 THRU SN74163  
SYNCHRONOUS 4-BIT COUNTERS**

schematics of inputs and outputs



absolute maximum ratings over operating free-air temperature range (unless otherwise noted)

Supply voltage, $V_{CC}$ (see Note 1)	7 V
Input voltage	5.5 V
Interemitter voltage (see Note 2)	5.5 V
Operating free-air temperature range: SN54' Circuits	-55°C to 125°C
SN74' Circuits	0°C to 70°C
Storage temperature range	-65°C to 150°C

NOTES: 1. Voltage values, except interemitter voltage, are with respect to network ground terminal.  
 2. This is the voltage between two emitters of a multiple-emitter transistor. For these circuits, this rating applies between the count enable inputs P and T.

recommended operating conditions

	SN54160, SN54161 SN54162, SN54163			SN74160, SN74161 SN74162, SN74163			UNIT
	MIN	NOM	MAX	MIN	NOM	MAX	
Supply voltage, $V_{CC}$	4.5	5	5.5	4.75	5	5.25	V
High-level output current, $I_{OH}$			-800			-800	$\mu\text{A}$
Low-level output current, $I_{OL}$			16			16	mA
Clock frequency, $f_{clock}$	0		25	0		25	MHz
Width of clock pulse, $t_w(\text{clock})$	25			25			ns
Width of clear pulse, $t_w(\text{clear})$	20			20			ns
Setup time, $t_{su}$ (see Figures 1 and 2)	Data inputs A, B, C, D	20		20			ns
	ENP	20		20			
	LOAD	25		25			
	CLR†	20		20			
Hold time at any input, $t_h$	0			0			ns
Operating free-air temperature, $T_A$	-55		125	0		70	°C

†This applies only for '162 and '163, which have synchronous clear inputs.

**SN54160 THRU SN54163, SN74160 THRU SN74163  
SYNCHRONOUS 4-BIT COUNTERS**

electrical characteristics over recommended operating free-air temperature range (unless otherwise noted)

PARAMETER	TEST CONDITIONS†	SN54160, SN54161 SN54162, SN54163		SN74160, SN74161 SN74162, SN74163		UNIT
		MIN	TYP‡	MAX	MIN	
V <sub>IH</sub> High-level input voltage		2			2	V
V <sub>IL</sub> Low-level input voltage			0.8		0.8	V
V <sub>IK</sub> Input clamp voltage	V <sub>CC</sub> = MIN, I <sub>I</sub> = -12 mA		-1.5		-1.5	V
V <sub>OH</sub> High-level output voltage	V <sub>CC</sub> = MIN, V <sub>IH</sub> = 2 V, V <sub>IL</sub> = 0.8 V, I <sub>OH</sub> = -800 μA	2.4	3.4	2.4	3.4	V
V <sub>OL</sub> Low-level output voltage	V <sub>CC</sub> = MIN, V <sub>IH</sub> = 2 V, V <sub>IL</sub> = 0.8 V, I <sub>OL</sub> = 16 mA	0.2	0.4	0.2	0.4	V
I <sub>I</sub> Input current at maximum input voltage	V <sub>CC</sub> = MAX, V <sub>I</sub> = 5.5 V		1		1	mA
I <sub>IH</sub> High-level input current	CLK or ENT		80		80	μA
	Other inputs		40		40	
I <sub>IL</sub> Low-level input current	CLK or ENT		-3.2		-3.2	mA
	Other inputs		-1.6		-1.6	
I <sub>OS</sub> Short-circuit output current§	V <sub>CC</sub> = MAX	-20	-57	-18	-57	mA
I <sub>CCH</sub> Supply current, all outputs high	V <sub>CC</sub> = MAX, See Note 3	59	85	59	94	mA
I <sub>CCL</sub> Supply current, all outputs low	V <sub>CC</sub> = MAX, See Note 4	63	91	63	101	mA

† For conditions shown as MIN or MAX, use the appropriate value specified under recommended operating conditions.

‡ All typical values are at V<sub>CC</sub> = 5 V, T<sub>A</sub> = 25°C.

§ Not more than one output should be shorted at a time.

NOTES: 3. I<sub>CCH</sub> is measured with the load input high, then again with the load input low, with all other inputs high and all outputs open.

4. I<sub>CCL</sub> is measured with the clock input high, then again with the clock input low, with all other inputs low and all outputs open.

switching characteristics, V<sub>CC</sub> = 5 V, T<sub>A</sub> = 25°C

PARAMETER†	FROM (INPUT)	TO (OUTPUT)	TEST CONDITIONS	MIN	TYP	MAX	UNIT
f <sub>max</sub>				25	32		MHz
t <sub>PLH</sub>	CLK	RCO	C <sub>L</sub> = 15 pF, R <sub>L</sub> = 400 Ω, See Figures 1 and 2 and Note 5	23	35		ns
t <sub>PHL</sub>				23	35		
t <sub>PLH</sub>	CLK	Any Q		13	20		ns
t <sub>PHL</sub>				(LOAD input high)	15	23	
t <sub>PLH</sub>	CLK	Any Q		17	25		ns
t <sub>PHL</sub>				(LOAD input low)	19	29	
t <sub>PLH</sub>	ENT	RCO		11	16		ns
t <sub>PHL</sub>				11	16		
t <sub>PHL</sub>	CLR	Any Q		26	38		ns

† f<sub>max</sub> = Maximum clock frequency

t<sub>PLH</sub> = propagation delay time, low-to-high-level output

t<sub>PHL</sub> = propagation delay time, high-to-low-level output

NOTE 5: Propagation delay for clearing is measured from the clear input for the '160 and '161 or from the clock input transition for the '162 and '163.

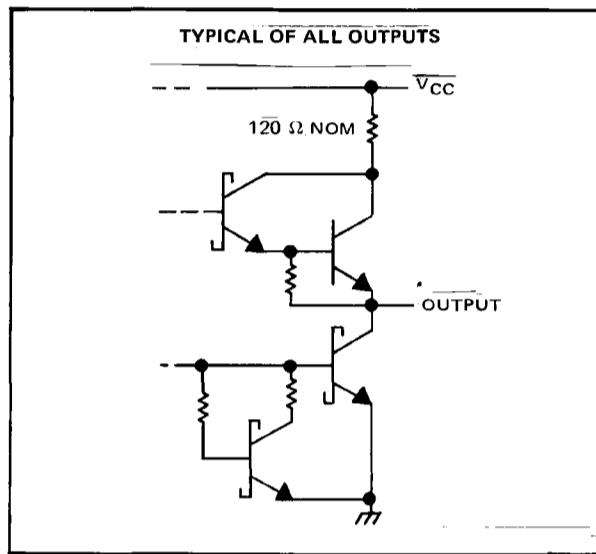
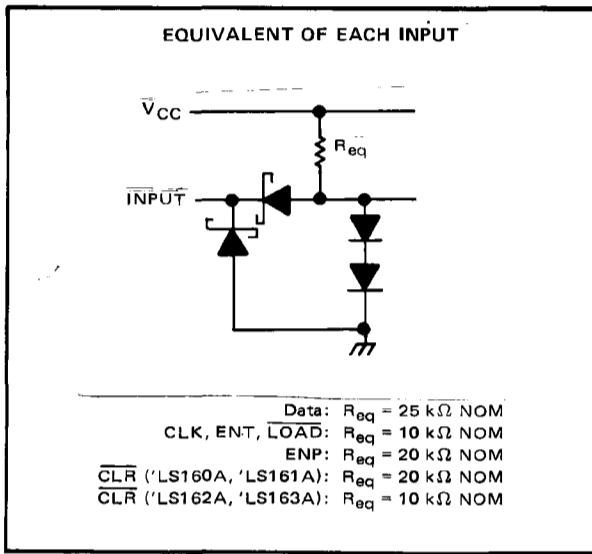
**2**

TTL Devices

**SN54LS160A THRU SN54LS163A, SN74LS160A THRU SN74LS163A  
SYNCHRONOUS 4-BIT COUNTERS**

MPUGRAPHIC TV  
OR EQUIV

schematics of inputs and outputs



**2** TTL Devices

**absolute maximum ratings over operating free-air temperature range (unless otherwise noted)**

Supply voltage, $V_{CC}$ (see Note 7)	7 V
Input voltage	7 V
Operating free-air temperature range: SN54LS' Circuits	-55°C to 125°C
SN74LS' Circuits	0°C to 70°C
Storage temperature range	-65°C to 150°C

NOTE 7: Voltage values are with respect to network ground terminal.

**recommended operating conditions**

	SN54LS'			SN74LS'			UNIT
	MIN	NOM	MAX	MIN	NOM	MAX	
$V_{CC}$ Supply voltage	4.5	5	5.5	4.75	5	5.25	V
$I_{OH}$ High-level output current			-400			-400	$\mu$ A
$I_{OL}$ Low-level output current			4			8	mA
$f_{clock}$ Clock frequency	0		25	0		25	MHz
$t_{w(clock)}$ Width of clock pulse	25			25			ns
$t_{w(clear)}$ Width of clear pulse	20			20			ns
$t_{su}$ Setup time, (see Figures 1 and 2)	Data inputs A, B, C, D	20		20			ns
	ENP or ENT	20		20			
	LOAD	20		20			
	LOAD inactive state	20		20			
	CLR <sup>†</sup>	20		20			
$t_h$ Hold time at any input	3			3			ns
$T_A$ Operating free-air temperature	-55		125	0		70	°C

<sup>†</sup> This applies only for 'LS162 and 'LS163, which have synchronous clear inputs.

**SN54LS160A THRU SN54LS163A, SN74LS160A THRU SN74LS163A  
SYNCHRONOUS 4-BIT COUNTERS**

electrical characteristics over recommended operating free-air temperature range (unless otherwise noted)

PARAMETER	TEST CONDITIONS†	SN54LS*		SN74LS*		UNIT	
		MIN	TYP‡	MAX	MIN		TYP‡
V <sub>IH</sub> High-level input voltage		2			2	V	
V <sub>IL</sub> Low-level input voltage			0.7		0.8	V	
V <sub>IK</sub> Input clamp voltage	V <sub>CC</sub> = MIN, I <sub>I</sub> = -18 mA		-1.5		-1.5	V	
V <sub>OH</sub> High-level output voltage	V <sub>CC</sub> = MIN, V <sub>IH</sub> = 2 V, V <sub>IL</sub> = V <sub>IL</sub> max, I <sub>OH</sub> = -400 µA	2.5	3.4	2.7	3.4	V	
V <sub>OL</sub> Low-level output voltage	V <sub>CC</sub> = MIN, V <sub>IH</sub> = 2 V, I <sub>OL</sub> = 4 mA	0.25	0.4	0.25	0.4	V	
	V <sub>CC</sub> = MIN, V <sub>IH</sub> = 2 V, V <sub>IL</sub> = V <sub>IL</sub> max, I <sub>OL</sub> = 8 mA			0.35	0.5		
I <sub>I</sub> Input current at maximum input voltage	Data or ENP		0.1		0.1	mA	
	LOAD, CLK, or ENT		0.2		0.2		
	CLR ('LS160A, 'LS161A)	V <sub>CC</sub> = MAX, V <sub>I</sub> = 7 V		0.1			0.1
	CLR ('LS162A, 'LS163A)			0.2			0.2
I <sub>IH</sub> High-level input current	Data or ENP		20		20	µA	
	LOAD, CLK, or ENT	V <sub>CC</sub> = MAX, V <sub>I</sub> = 2.7 V		40			40
	CLR ('LS160A, 'LS161A)			20			20
	CLR ('LS162A, 'LS163A)			40			40
I <sub>IL</sub> Low-level input current	Data or ENP		-0.4		-0.4	mA	
	LOAD, CLK, or ENT	V <sub>CC</sub> = MAX, V <sub>I</sub> = 0.4 V		-0.8			-0.8
	CLR ('LS160A, 'LS161A)			-0.4			-0.4
	CLR ('LS162A, 'LS163A)			-0.8			-0.8
I <sub>OS</sub> Short-circuit output current§	V <sub>CC</sub> = MAX	-20	-100	-20	-100	mA	
I <sub>CCH</sub> Supply current, all outputs high	V <sub>CC</sub> = MAX, See Note 3	18	31	18	31	mA	
I <sub>CCL</sub> Supply current, all outputs low	V <sub>CC</sub> = MAX, See Note 4	19	32	19	32	mA	

† For conditions shown as MIN or MAX, use the appropriate value specified under recommended operating conditions.

‡ All typical values are at V<sub>CC</sub> = 5 V, T<sub>A</sub> = 25°C.

§ Not more than one output should be shorted at a time, and duration of the short-circuit should not exceed one second.

NOTES: 3. I<sub>CCH</sub> is measured with the load input high, then again with the load input low, with all other inputs high and all outputs open.  
4. I<sub>CCL</sub> is measured with the clock input high, then again with the clock input low, with all other inputs low and all outputs open.

switching characteristics, V<sub>CC</sub> = 5 V, T<sub>A</sub> = 25°C

PARAMETER¶	FROM (INPUT)	TO (OUTPUT)	TEST CONDITIONS	MIN	TYP	MAX	UNIT
f <sub>max</sub>				25	32		MHz
t <sub>PLH</sub>	CLK	RCO	C <sub>L</sub> = 15 pF, R <sub>L</sub> = 2 kΩ, See figures 1 and 2 and Note 8	20	35		ns
t <sub>PHL</sub>				18	35		
t <sub>PLH</sub>	CLK	Any		13	24		ns
t <sub>PHL</sub>	(LOAD input high)	Q		18	27		
t <sub>PLH</sub>	CLK	Any		13	24		ns
t <sub>PHL</sub>	(LOAD input low)	Q		18	27		
t <sub>PLH</sub>	ENT	RCO		9	14		ns
t <sub>PHL</sub>				9	14		
t <sub>PHL</sub>	CLR	Any Q	20	28		ns	

¶ f<sub>max</sub> = Maximum clock frequency

t<sub>PLH</sub> = propagation delay time, low-to-high-level output.

t<sub>PHL</sub> = propagation delay time, high-to-low-level output.

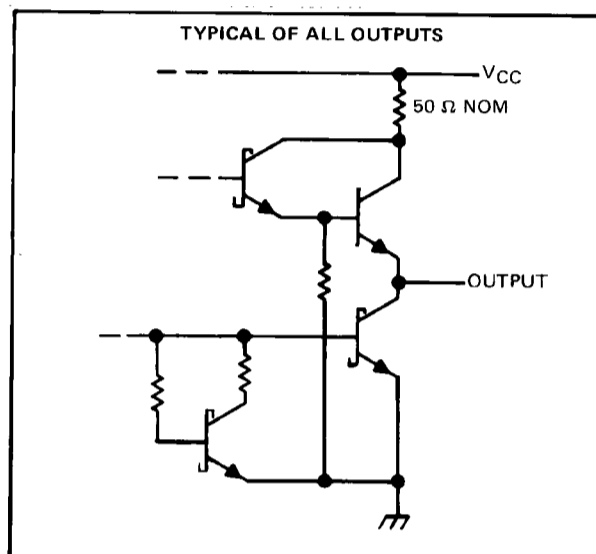
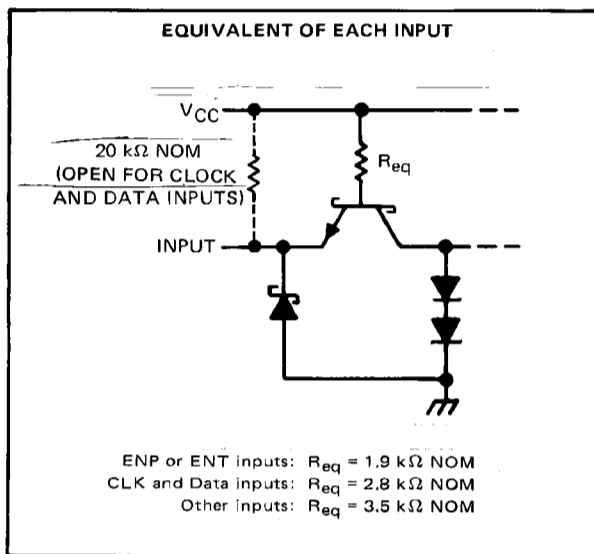
NOTE 8: Propagation delay for clearing is measured from the clear input for the 'LS160A and 'LS161A or from the clock transition for the 'LS162A and 'LS163A.

**2**  
TTL Devices

**SN54S162, SN54S163, SN74S162, SN74S163**  
**SYNCHRONOUS 4-BIT COUNTERS**

MPUGRA  
 OF

schematics of inputs and outputs



2

TTL Devices

absolute maximum ratings over operating free-air temperature range (unless otherwise noted)

Supply voltage, V <sub>CC</sub> (see Note 1)	7 V
Input voltage	5.5 V
Interemitter voltage (see Note 2)	5.5 V
Operating free-air temperature range: SN54S162, SN54S163 (see Note 10)	-55°C to 125°C
SN74S162, SN74S163	0°C to 70°C
Storage temperature range	-65°C to 150°C

recommended operating conditions

	SN54S162, SN54S163			SN74S162, SN74S163			UNIT
	MIN	NOM	MAX	MIN	NOM	MAX	
Supply voltage, V <sub>CC</sub>	4.5	5	5.5	4.75	5	5.25	V
High-level output current, I <sub>OH</sub>			-1			-1	mA
Low-level output current, I <sub>OL</sub>			20			20	mA
Clock frequency, f <sub>clock</sub>	0		40	0		40	MHz
Width of clock pulse, t <sub>w(clock)</sub> (high or low)	10			10			ns
Width of clear pulse, t <sub>w(clear)</sub>	10			10			ns
Setup time, t <sub>su</sub> (see Figure 4)	Data inputs, A, B, C, D	4		4			ns
	ENP or ENT	12		12			
	LOAD	14		14			
	CLR	14		14			
	LOAD inactive-state	12		12			
Release time, t <sub>release</sub> (see Figure 4)	ENP or ENT		4			4	ns
	Data inputs A, B, C, D	3		3			
Hold time, t <sub>h</sub> (see Figure 4)	LOAD	0		0			ns
	CLR	0		0			
	CLR	0		0			
Operating free-air temperature, T <sub>A</sub> (see Note 10)	-55		125	0		70	°C

- NOTES: 1. Voltage values, except interemitter voltage, are with respect to network ground terminal.  
 2. This is the voltage between two emitters of a multiple-emitter transistor. For these circuits, this rating applies between the count enable inputs P and T.  
 10. An SN54S162 or SN54S163 in the W package operating at free-air temperatures above 91°C requires a heat sink that provides a thermal resistance from case to free-air, R<sub>θCA</sub>, of not more than 26°C/W.



**SN54S162, SN54S163, SN74S162, SN74S163  
SYNCHRONOUS 4-BIT COUNTERS**

electrical characteristics over recommended operating free-air temperature range (unless otherwise noted)

PARAMETER	TEST CONDITIONS†	SN54S162 SN54S163		SN74S162 SN74S163		UNIT
		MIN	TYP‡	MAX	MIN	
V <sub>IH</sub> High-level input voltage		2			2	V
V <sub>IL</sub> Low-level input voltage				0.8		0.8 V
V <sub>IC</sub> Input clamp voltage	V <sub>CC</sub> = MIN, I <sub>I</sub> = -18 mA			-1.2		-1.2 V
V <sub>OH</sub> High-level output voltage	V <sub>CC</sub> = MIN, V <sub>IH</sub> = 2 V, V <sub>IL</sub> = 0.8 V, I <sub>OH</sub> = -1 mA	2.5	3.4		2.7 3.4	V
V <sub>OL</sub> Low-level output voltage	V <sub>CC</sub> = MIN, V <sub>IH</sub> = 2 V, V <sub>IL</sub> = 0.8 V, I <sub>OL</sub> = 20 mA			0.5		0.5 V
I <sub>I</sub> Input current at maximum input voltage	V <sub>CC</sub> = MAX, V <sub>I</sub> = 5.5 V			1		1 mA
I <sub>IH</sub> High-level input current	CLK and data inputs			50		50
	Other inputs			-10	-200	-10 -200
I <sub>IL</sub> Low-level input current	ENT			-4		-4
	Other inputs			-2		-2
I <sub>OS</sub> Short-circuit output current§	V <sub>CC</sub> = MAX	-40	-100	-40	-100	mA
I <sub>CC</sub> Supply current	V <sub>CC</sub> = MAX		95 160		95 160	mA

† For conditions shown as MIN or MAX, use the appropriate value specified under recommended operating conditions.

‡ All typical values are at V<sub>CC</sub> = 5 V, T<sub>A</sub> = 25°C.

§ Not more than one output should be shorted at a time, and duration of the short-circuit should not exceed one second.

switching characteristics, V<sub>CC</sub> = 5 V, T<sub>A</sub> = 25°C

PARAMETER¶	FROM (INPUT)	TO (OUTPUT)	TEST CONDITIONS	MIN	TYP	MAX	UNIT
f <sub>max</sub>				40	70		MHz
t <sub>PLH</sub>	CLK	RCO	C <sub>L</sub> = 15 pF, R <sub>L</sub> = 280 Ω, See Figures 1, 3, and 4		14	25	ns
t <sub>PHL</sub>					17	25	
t <sub>PLH</sub>	CLK	Any Q			8	15	ns
t <sub>PHL</sub>					10	15	
t <sub>PLH</sub>	ENT	RCO			10	15	ns
t <sub>PHL</sub>					10	15	

¶ f<sub>max</sub> ≡ maximum clock frequency

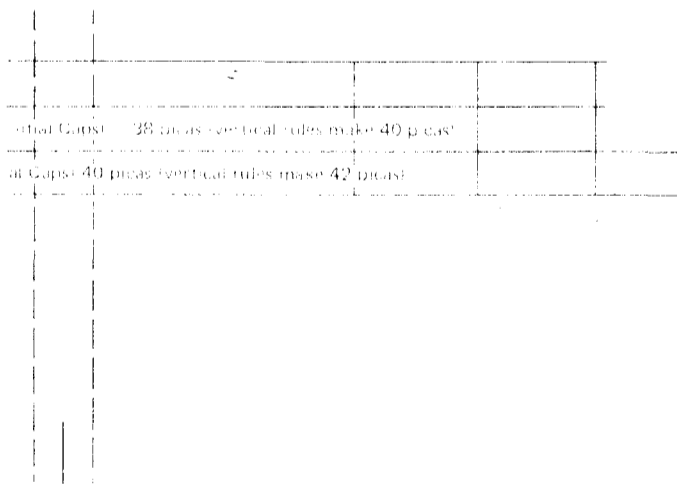
t<sub>PLH</sub> ≡ propagation delay time, low-to-high-level output

t<sub>PHL</sub> ≡ propagation delay time, high-to-low-level output

INVERTS

Body Cop

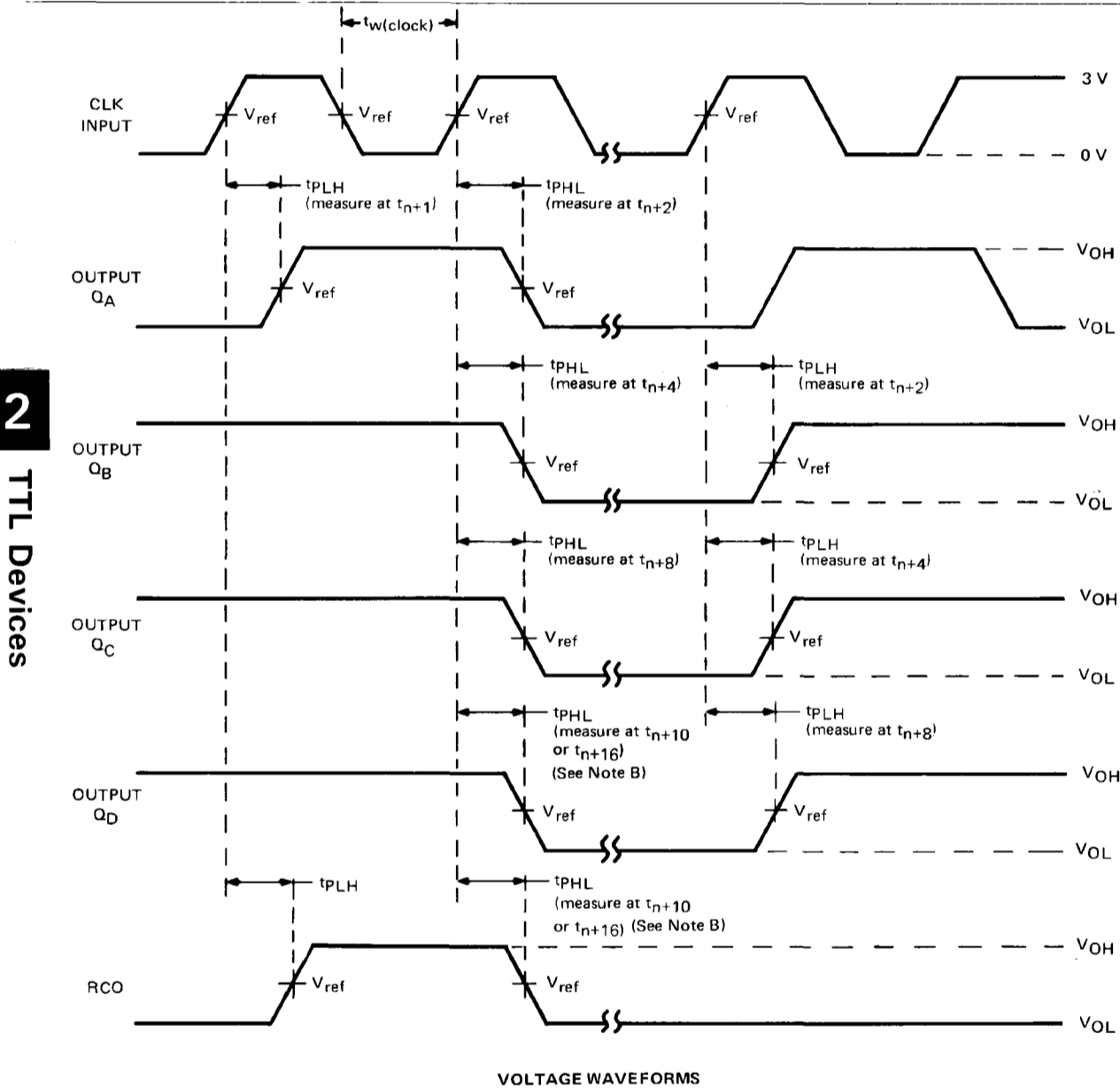
dy Copy



**2**  
TTL Devices

**SN54160 THRU SN54163, SN54LS160A THRU SN54LS163A,  
SN54S162, SN54S163, SN74160 THRU SN74163,  
SN74LS160A THRU SN74LS163A, SN74S162, SN74S163  
SYNCHRONOUS 4-BIT COUNTERS**

**PARAMETER MEASUREMENT INFORMATION**



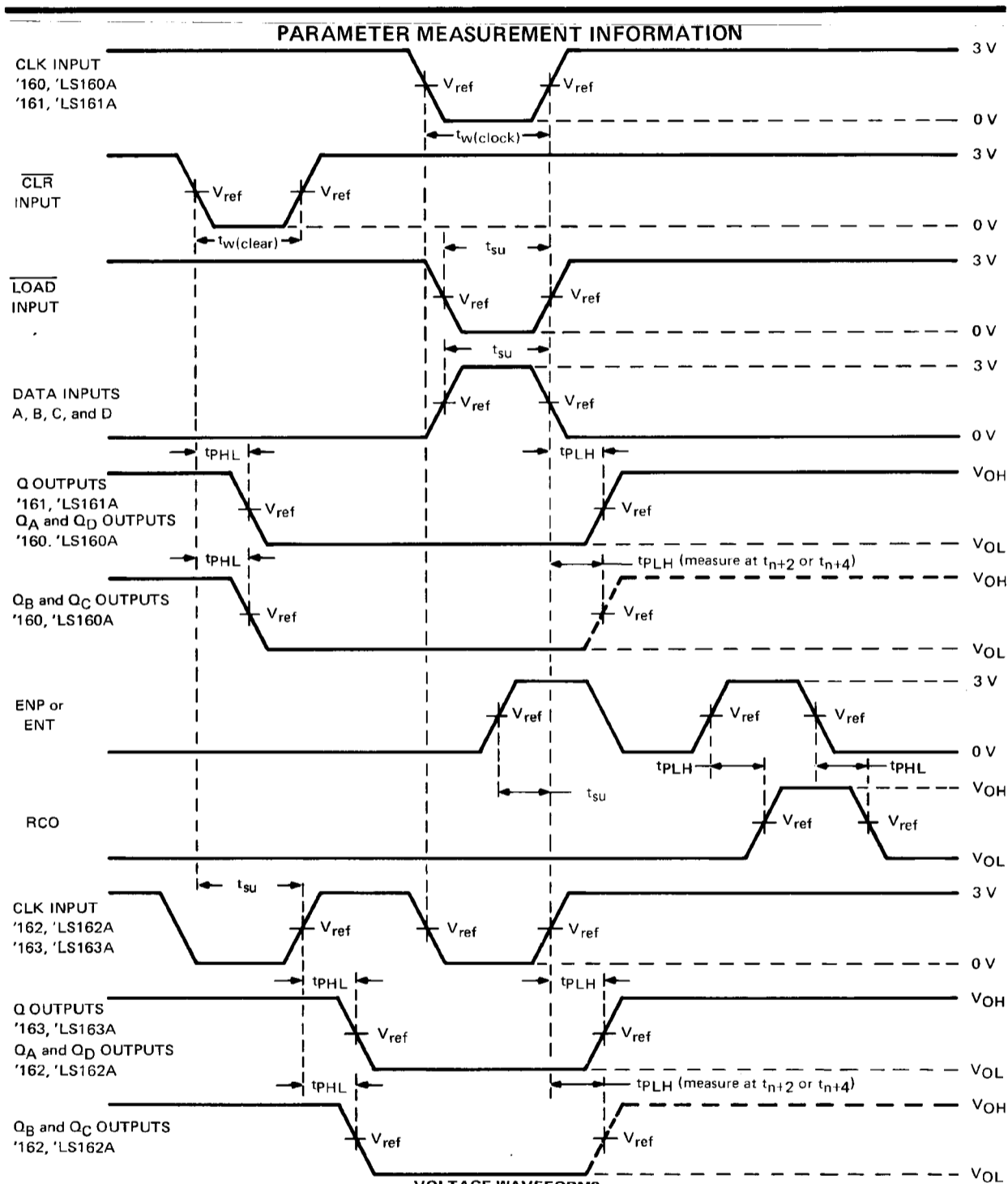
**VOLTAGE WAVEFORMS**

- NOTES: A. The input pulses are supplied by a generator having the following characteristics: PRR  $\leq$  1 MHz, duty cycle  $\leq$  50%,  $Z_{\text{out}} \approx 50 \Omega$ ; for '160 thru '163,  $t_r \leq 10$  ns,  $t_f \leq 10$  ns; for 'LS160A thru 'LS163A,  $t_r \leq 15$  ns,  $t_f \leq 6$  ns; and for 'S162, 'S163,  $t_r \leq 2.5$  ns,  $t_f \leq 2.5$  ns. Vary PRR to measure  $f_{\text{max}}$ .
- B. Outputs Q<sub>D</sub> and carry are tested at  $t_{n+10}$  for '160, '162, 'LS160A, 'LS162A, and 'S162, and at  $t_{n+16}$  for '161, '163, 'LS161A, 'LS163A, and 'S163, where  $t_n$  is the bit time when all outputs are low.
- C. For '160 thru '163, 'S162, and 'S163,  $V_{\text{ref}} = 1.5$  V; for 'LS160A thru 'LS163A,  $V_{\text{ref}} = 1.3$  V.

**FIGURE 1—SWITCHING TIMES**

**2**  
TTL Devices

**SN54160 THRU SN54163, SN54LS160A THRU SN54LS163A,  
SN74160 THRU SN74163, SN74LS160A, THRU SN74LS163A  
SYNCHRONOUS 4-BIT COUNTERS**



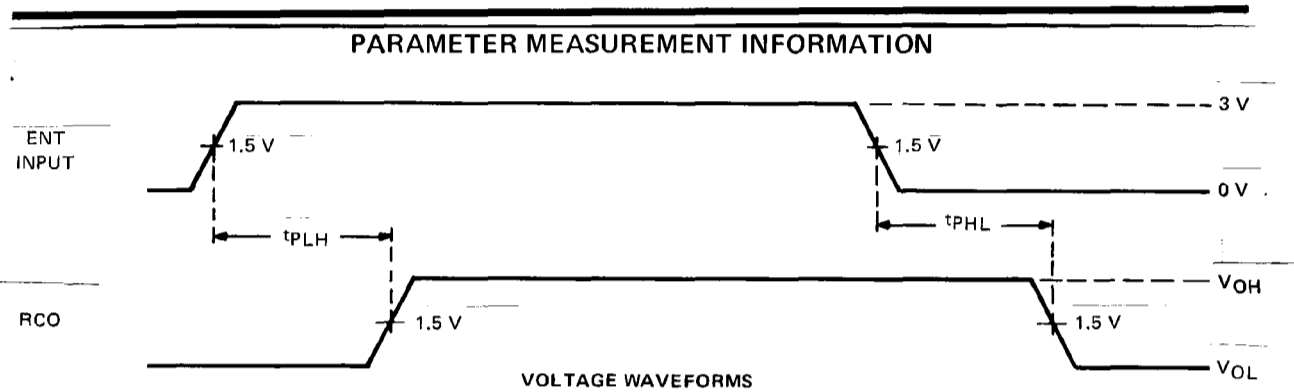
**NOTES:** A. The input pulses are supplied by generators having the following characteristics: PRR  $\leq$  1 MHz, duty cycle  $\leq$  50%,  $Z_{out} \approx 50 \Omega$ ; for '160 thru '163,  $t_r \leq 10$  ns,  $t_f \leq 10$  ns; and for 'LS160A thru 'LS163A,  $t_r \leq 15$  ns,  $t_f \leq 6$  ns.  
 B. Enable P and enable T setup times are measured at  $t_{n+0}$ .  
 C. For '160 thru '163,  $V_{ref} = 1.5$  V; for 'LS160A thru 'LS163A,  $V_{ref} = 1.3$  V.

**FIGURE 2—SWITCHING TIMES**

**2**  
TTL Devices

**SN54S162, SN54S163, SN74S162, SN74S163**  
**SYNCHRONOUS 4-BIT COUNTERS**

COMPUGRAPHIC  
 OR EQUIV

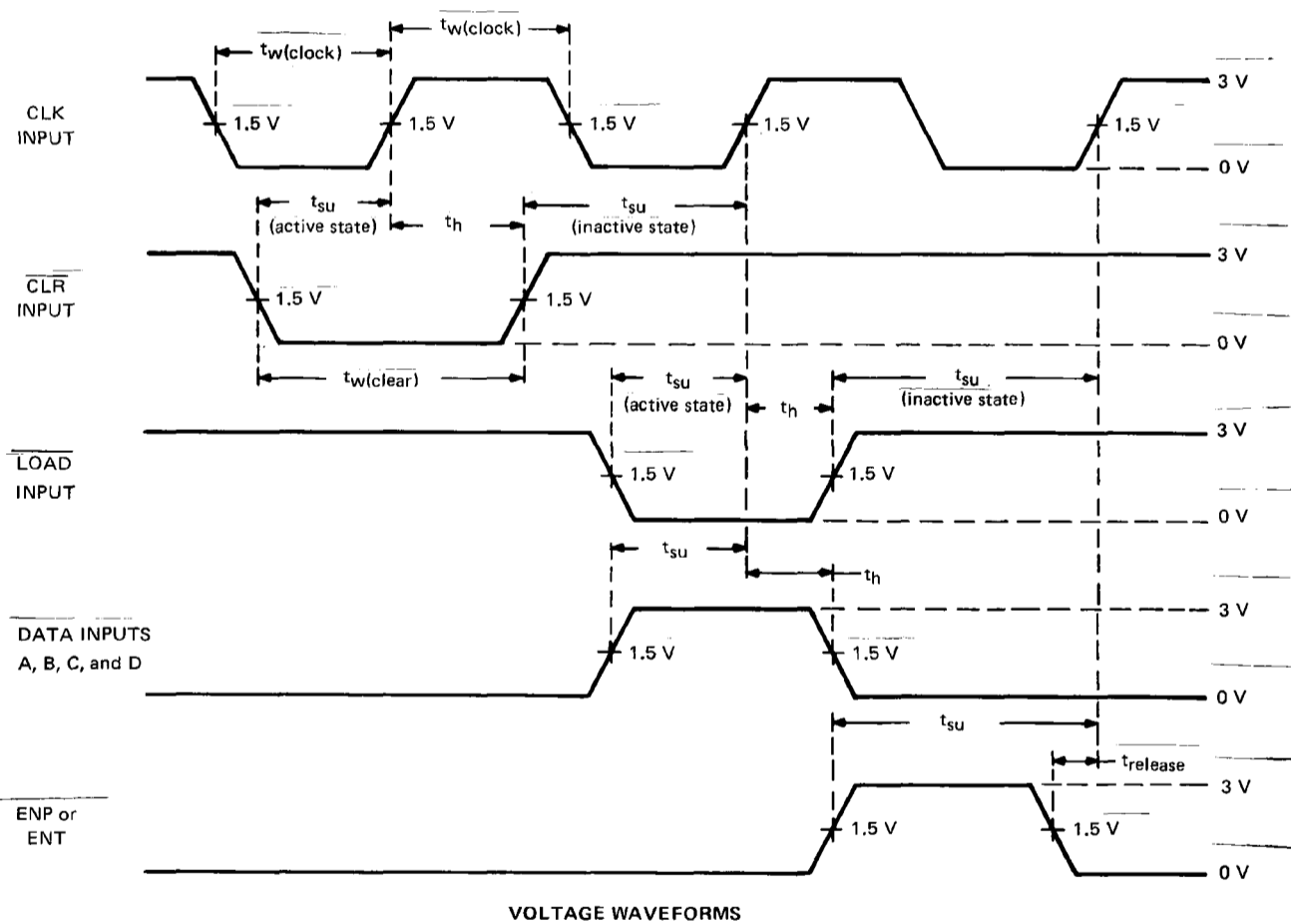


NOTES: A. The input pulse is supplied by a generator having the following characteristics:  $t_r \leq 2.5$  ns,  $t_f \leq 2.5$  ns, PRR  $\leq 1$  MHz, duty cycle  $\leq 50\%$ ,  $Z_{out} \approx 50 \Omega$ .  
 B.  $t_{PLH}$  and  $t_{PHL}$  from enable T input to carry output assume that the counter is at the maximum count ( $Q_A$  and  $Q_D$  high for 'S162, all Q outputs high for 'S163).

**FIGURE 3—PROPAGATION DELAY TIMES FROM ENABLE T INPUT TO CARRY OUTPUT**

**2**

**TTL Devices**



NOTE A: The input pulses are supplied by generators having the following characteristics:  $t_r \leq 2.5$  ns,  $t_f \leq 2.5$  ns, PRR  $\leq 1$  MHz, duty cycle  $\leq 50\%$ ,  $Z_{out} \approx 50 \Omega$ .

**FIGURE 4—PULSE WIDTHS, SETUP TIMES, HOLD TIMES, AND RELEASE TIME**

**SN54160 THRU SN54163, SN54LS160A THRU SN54LS163A,  
SN54S162, SN54S163, SN74160 THRU SN74163,  
SN74LS160A THRU SN74LS163A, SN74S162, SN74S163  
SYNCHRONOUS 4-BIT COUNTERS**

**TYPICAL APPLICATION DATA**

This application demonstrates how the ripple mode carry circuit (Figure 1) and the carry-look-ahead circuit (Figure 2) can be used to implement a high-speed N-bit counter. The '160, '162, 'LS160A, 'LS162A, or 'S162 will count in BCD and the '161, '163, 'LS161A, 'LS163A, or 'S163 will count in binary. When additional stages are added the  $f_{MAX}$  decreases in Figure 1, but remains unchanged in Figure 2.

**N-BIT SYNCHRONOUS COUNTERS**

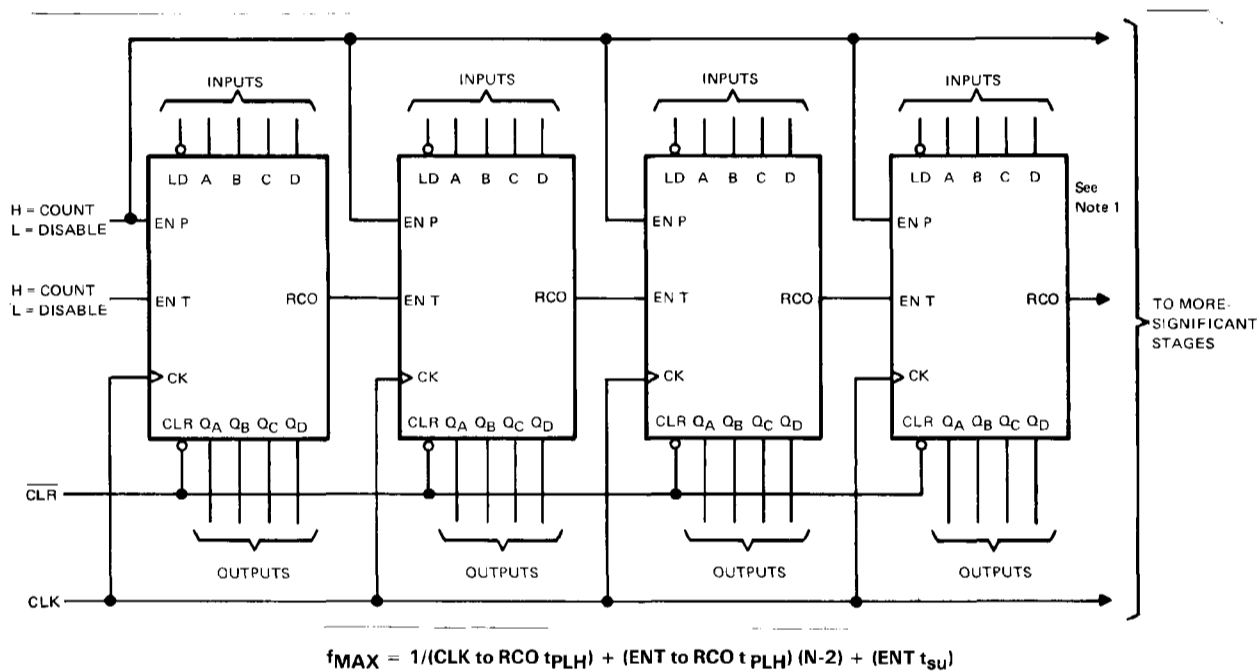


FIGURE 1

**2**  
TTL Devices

**SN54160 THRU SN54163, SN54LS160A THRU SN54LS163A,  
SN54S162, SN54S163, SN74160 THRU SN74163,  
SN74LS160A THRU SN74LS163A, SN74S162, SN74S163  
SYNCHRONOUS 4-BIT COUNTERS**

**TYPICAL APPLICATION DATA**

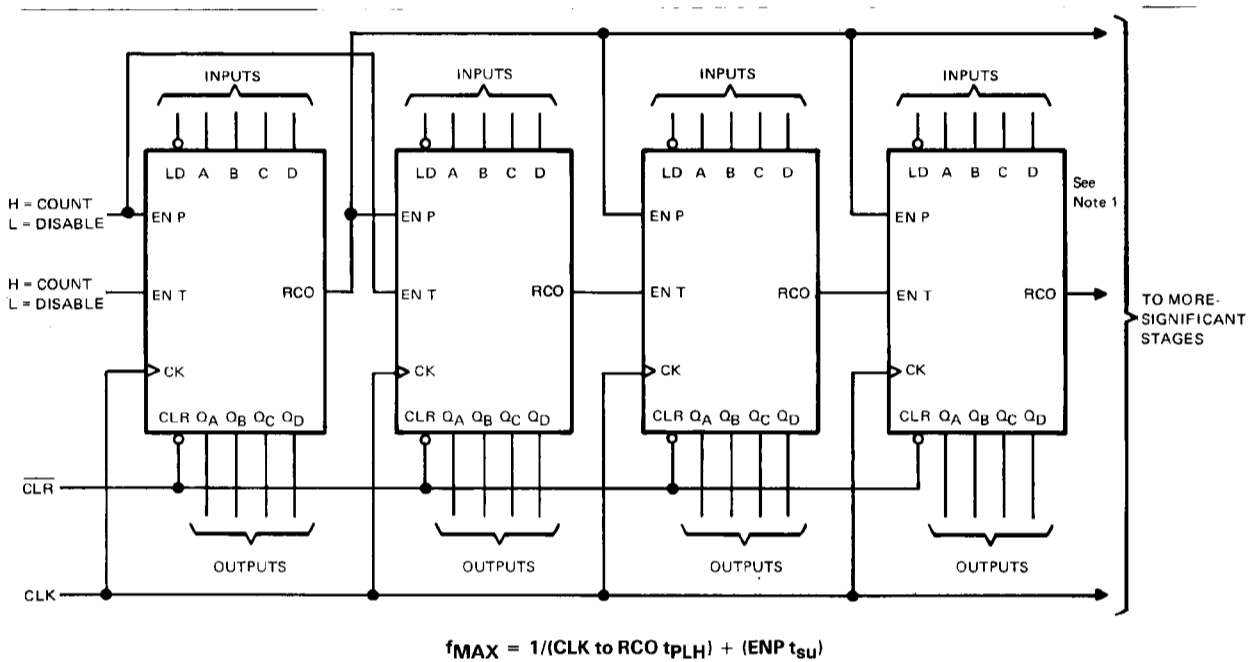


FIGURE 2

**2**  
TTL Devices

