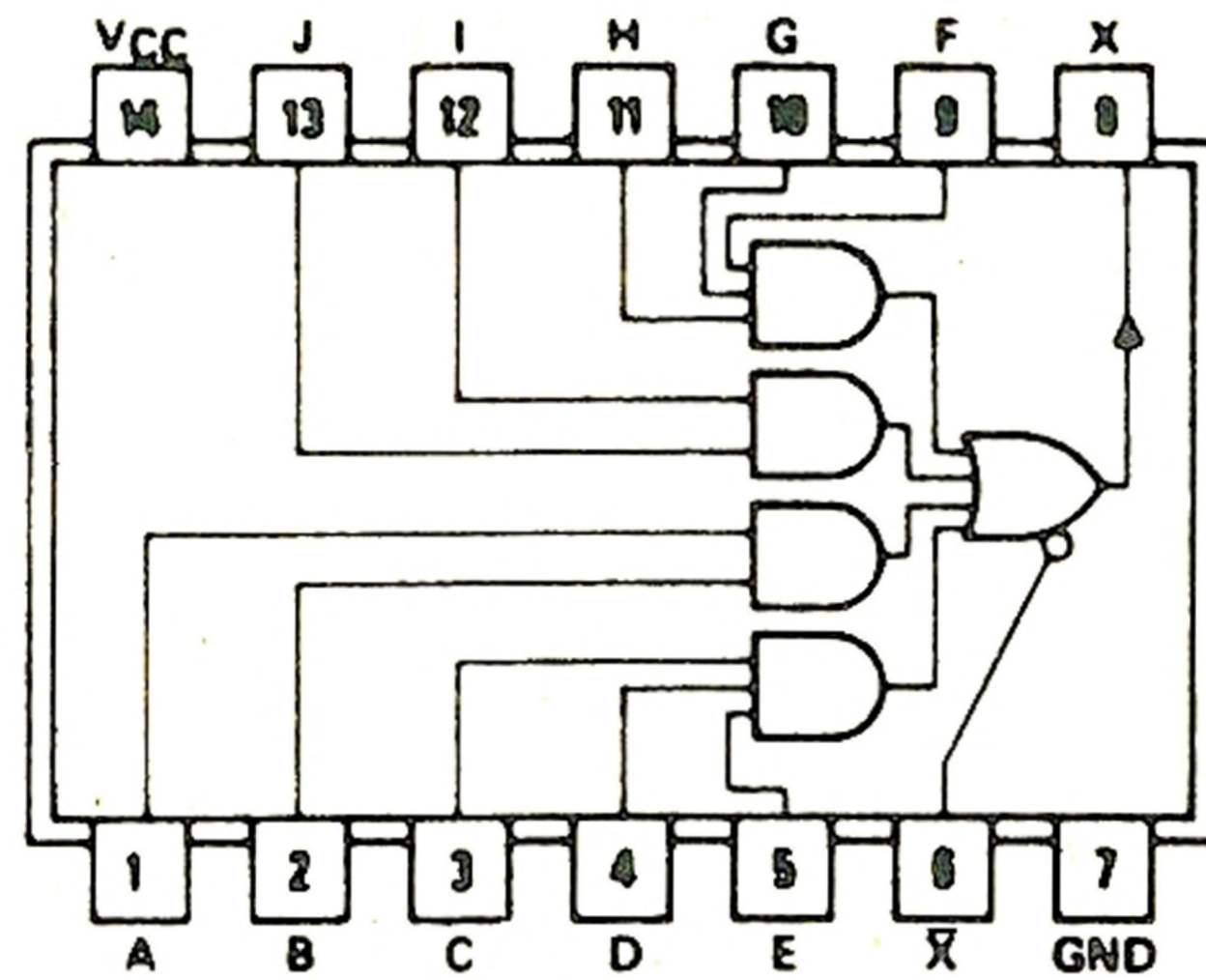


SN7462



62 Ekspander AND-OR o 2×2 i 2×3 wejściach

4-wide AND-OR expanders

$$X = AB + CDE + FGH + IJ$$