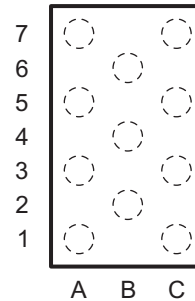


4-BIT DUAL-SUPPLY NON-INVERTING BUS TRANSLATOR

Check for Samples: [SN74AVC4T234](#)

FEATURES

- Wide Operating V_{CC} Range of 0.9 V to 3.6 V
- 3.6-V I/O Tolerant to Support Mixed-Mode Signal Operation
- Max t_{pd} of 3.7 ns at 3.3 V
- Balanced propagation delays: $t_{PLH} = t_{PHL}$
- Low Static-Power Consumption, 5- μ A Max I_{CC}
- Input-Disable Feature Allows Floating Input Conditions
- \pm 3-mA Output Drive at 1.8 V
- 26 Ω series resistor on A-side outputs
- I_{off} Supports Partial Power-Down-Mode Operation
- Input Hysteresis Allows Slow Input Transition and Better Switching Noise Immunity at Input
- Maximum Data Rates
 - 380 Mbps (1.8-V to 3.3-V Translation)
 - 200 Mbps (<1.8-V to 3.3-V Translation)
 - 200 Mbps (Translate to 2.5 V or 1.8 V)
 - 150 Mbps (Translate to 1.5 V)
 - 100 Mbps (Translate to 1.2 V)
- Latch-Up Performance Exceeds 100 mA Per JESD 78, Class II
- ESD Protection Exceeds JESD 22
 - 2000-V Human-Body Model (A114-A)
 - 500-V Charged-Device Model (C101)

**ZSU PACKAGE
(TOP VIEW)**


DESCRIPTION

This 4-bit noninverting bus transceiver uses two separate configurable power-supply rails to enable asynchronous communication between B-port inputs and A-port outputs. The A port is designed to track V_{CCA} while the B port is designed to track V_{CCB} . Both V_{CCA} and V_{CCB} are configurable from 0.9 V to 3.6 V.

The SN74AVC4T234 solution offers the industry's low-power needs in battery-powered portable applications by ensuring both a very low static and dynamic power consumption across the entire V_{CC} range of 0.9 V to 3.6 V, resulting in an increased battery life. This product also maintains excellent signal integrity.

This device is fully specified for partial-power-down applications using I_{off} . The I_{off} circuitry disables the outputs, preventing damaging current backflow through the device when it is powered down.

The V_{CC} isolation feature ensures that if either V_{CC} input is at GND, then A-side ports are in the high-impedance state.



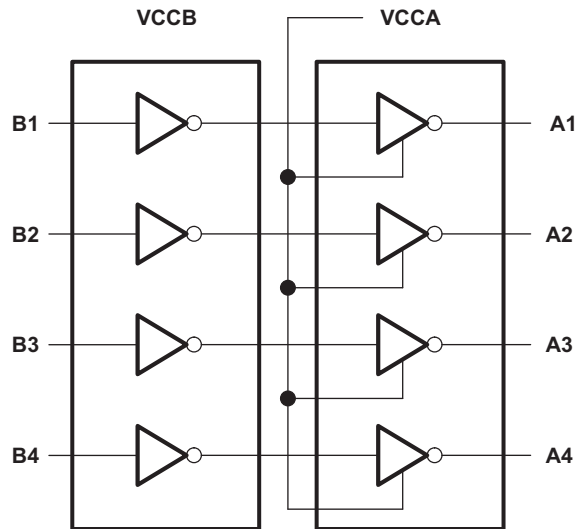
Please be aware that an important notice concerning availability, standard warranty, and use in critical applications of Texas Instruments semiconductor products and disclaimers thereto appears at the end of this data sheet.

ORDERING INFORMATION⁽¹⁾

T _A	PACKAGE ⁽²⁾		ORDERABLE PART NUMBER	TOP-SIDE MARKING
-40°C to 85°C	MicroStarCSP -- ZSU	Tape and reel	SN74AVC4T234ZSUR	ZTD _ _ ⁽³⁾

- (1) For the most current package and ordering information, see the Package Option Addendum at the end of this document, or see the TI web site at www.ti.com.
- (2) Package drawings, thermal data, and symbolization are available at www.ti.com/packaging.
- (3) ZSU: The actual top-side marking has two additional characters that designate the year and month date code.

LOGIC DIAGRAM (POSITIVE LOGIC)



TERMINAL FUNCTIONS

TERMINAL		TYPE	DESCRIPTION
NAME	ZSU Package		
B1	C7	I	Data input port
B2	C5	I	Data input port
B3	C3	I	Data input port
B4	C1	I	Data input port
A1	A7	O	Data output port
A2	A5	O	Data output port
A3	A3	O	Data output port
A4	A1	O	Data output port
V _{CCA}	B6	PWR	A-side output port power supply voltage (0.9 V to 3.6 V)
V _{CCB}	B4	PWR	B-side input port power supply voltage (0.9 V to 3.6 V)
GND	B2	PWR	Ground

ABSOLUTE MAXIMUM RATINGS⁽¹⁾

over operating free-air temperature range (unless otherwise noted)

			MIN	MAX	UNIT
V_{CCA} V_{CCB}	Supply voltage range		-0.5	4.6	V
V_I	Input voltage range ⁽²⁾	Output ports (A port)	-0.5	4.6	V
		Input ports (B port)	-0.5	4.6	
V_O	Voltage range applied to any output in the high-impedance or power-off state ⁽²⁾	A port	-0.5	4.6	V
V_O	Voltage range applied to any output in the high or low state ^{(2) (3)}	A port	-0.5	$V_{CCA} + 0.5$	V
I_{IK}	Input clamp current	$V_I < 0$		-50	mA
I_{OK}	Output clamp current	$V_O < 0$		-50	mA
I_O	Continuous output current			±20	mA
	Continuous current through V_{CCA} , V_{CCB} , or GND			±50	
θ_{JA}	Package thermal impedance ⁽⁴⁾			180.4	°C/W
T_{stg}	Storage temperature range		-65	150	°C

- (1) Stresses beyond those listed under "absolute maximum ratings" may cause permanent damage to the device. These are stress ratings only, and functional operation of the device at these or any other conditions beyond those indicated under "recommended operating conditions" is not implied. Exposure to absolute-maximum-rated conditions for extended periods may affect device reliability.
- (2) The input voltage and output negative-voltage ratings may be exceeded if the input and output current ratings are observed.
- (3) The output positive-voltage rating may be exceeded up to 4.6 V maximum if the output current rating is observed.
- (4) The package thermal impedance is calculated in accordance with JESD 51-7.

RECOMMENDED OPERATING CONDITIONS^{(1) (2) (3)}

		V_{CCI}	V_{CCO}	MIN	MAX	UNIT
V_{CCA}	Supply voltage			0.9	3.6	V
V_{CCB}	Supply voltage			0.9	3.6	V
V_{IH}	High-level input voltage	Data inputs ⁽⁴⁾	0.9 V to 1.1 V	$V_{CCI} \times 0.8$	3.6	V
			1.1 V to 1.4 V	$V_{CCI} \times 0.8$	3.6	
			1.4 V to 1.95 V	$V_{CCI} \times 0.65$	3.6	
			2.3 V to 2.7 V	$V_{CCI} \times 0.65$	3.6	
			3 V to 3.6 V	$V_{CCI} \times 0.65$	3.6	
V_{IL}	Low-level input voltage	Data inputs ⁽⁴⁾	0.9 V to 1.1 V	0	$V_{CCI} \times 0.2$	V
			1.1 V to 1.4 V	0	$V_{CCI} \times 0.2$	
			1.1 V to 1.95 V	0	$V_{CCI} \times 0.35$	
			2.3 V to 2.7 V	0	$V_{CCI} \times 0.35$	
			3 V to 3.6 V	0	$V_{CCI} \times 0.35$	
V_I	Input voltage			0	3.6	V
V_O	Output voltage	Active state		0	V_{CCO}	V
I_{OH}	High-level output current		0.9 V to 1.1 V		-0.1	mA
			1.1 V to 1.3 V		-1	
			1.4 V to 1.6 V		-2	
			1.65 V to 1.95 V		-3	
			2.3 V to 2.7 V		-6	
			3 V to 3.6 V		-12	
I_{OL}	Low-level output current		0.9 V to 1.1 V		0.1	mA
			1.1 V to 1.3 V		1	
			1.4 V to 1.6 V		2	
			1.65 V to 1.95 V		3	
			2.3 V to 2.7 V		6	
$\Delta t/\Delta v$	Input transition rise or fall rate		3 V to 3.6 V		10	ns/V
			2.3 V to 2.7 V		20	
			1.65 V to 1.95 V		50	
			1.4 V to 1.6 V		100	
			1.1 V to 1.3 V		100	
T_A	Operating free-air temperature			-40	85	°C

(1) V_{CCI} is the V_{CCB} input port.

(2) V_{CCO} is the V_{CCA} output port.

(3) All unused data inputs of the device must be held at V_{CCI} or GND to ensure proper device operation. Refer to the TI application report, *Implications of Slow or Floating CMOS Inputs*, literature number SCBA004.

(4) For V_{CCI} values not specified in the data sheet, V_{IH} min = $V_{CCI} \times 0.7$ V, V_{IL} max = $V_{CCI} \times 0.3$ V

ELECTRICAL CHARACTERISTICS^{(1) (2)}

over recommended operating free-air temperature range (unless otherwise noted)

PARAMETER	TEST CONDITIONS		V _{CCA}	V _{CCB}	T _A = 25°C			–40°C to 85°C		UNIT
					MIN	TYP	MAX	MIN	MAX	
V _{OH}		V _I = V _{IH}	0.9 V	0.9 V to 3.6 V				V _{CCA} – 0.1		V
			1.1 V					0.88		
			1.4 V					1.05		
			1.65 V					1.2		
			2.3V					1.75		
			3 V					2.3		
V _{OL}		V _I = V _{IL}	0.9 V	0.9 V to 3.6 V					0.1	V
			1.1 V					0.2		
			1.4 V					0.2		
			1.65 V					0.25		
			2.3V					0.3		
			3 V					0.55		
I _{off}	A or B port	V _I or V _O = 0 to 3.6 V	0 V	0 V to 3.6 V		±0.1	±1		±5	μA
			0 V to 3.6 V	0 V		±0.1	±1		±5	
I _{CCA}		V _{CCB} or GND, I _O = 0	0.8 V to 3.6 V	0.8 V to 3.6 V					8	μA
			0 V	0 V to 3.6 V					8	
			0 V to 3.6 V	0 V					8	
I _{CCB}		V _{CCB} or GND, I _O = 0	0.8 V to 3.6 V	0.8 V to 3.6 V					8	μA
			0 V	0 V to 3.6 V					8	
			0 V to 3.6 V	0 V					8	
I _{CCA} + I _{CCB}		V _{CCB} or GND, I _O = 0	0.8 V to 3.6 V	0.8 V to 3.6 V					16	μA
C _i	V _{CCB}	V _{CCB} = 3.3 V or GND	3.3 V	3.3 V		22				pF
C _{io}	A or B port	V _{CCA} = 3.3 V or GND	3.3 V	3.3 V		5				pF

(1) V_{CCO} is the V_{CCA} output port.

(2) V_{CCI} is the V_{CCB} input port.

SWITCHING CHARACTERISTICS

over recommended operating free-air temperature range, $V_{CCB} = 1.1\text{ V}$ (unless otherwise noted) (see [Figure 1](#))

PARAMETER	FROM (INPUT)	TO (OUTPUT)	$V_{CCA} = 1.1\text{ V}$	$V_{CCA} = 1.4\text{ V}$	$V_{CCA} = 1.65\text{ V}$	$V_{CCA} = 2.3\text{ V}$	$V_{CCA} = 3\text{ V}$	UNIT
			TYP	TYP	TYP	TYP	TYP	
t_{PLH}	B	A	5.5	4.6	4.2	3.7	3.9	ns
t_{PHL}			4.7	3.9	3.4	3	3.1	

SWITCHING CHARACTERISTICS

over recommended operating free-air temperature range, $V_{CCB} = 1.4\text{ V}$ (see [Figure 1](#))

PARAMETER	FROM (INPUT)	TO (OUTPUT)	$V_{CCA} = 1.1\text{ V}$	$V_{CCA} = 1.4\text{ V}$		$V_{CCA} = 1.65\text{ V}$		$V_{CCA} = 2.3\text{ V}$		$V_{CCA} = 3\text{ V}$		UNIT
			TYP	MIN	MAX	MIN	MAX	MIN	MAX	MIN	MAX	
t_{PLH}	B	A	4.7	2.0	5	1.5	3.8	1.2	3.8	1.0	3.8	ns
t_{PHL}			4.2	2.0	5	1.5	3.9	1.2	3	1.0	3.0	

SWITCHING CHARACTERISTICS

over recommended operating free-air temperature range, $V_{CCB} = 1.65\text{ V}$ (see [Figure 1](#))

PARAMETER	FROM (INPUT)	TO (OUTPUT)	$V_{CCA} = 1.1\text{ V}$	$V_{CCA} = 1.4\text{ V}$		$V_{CCA} = 1.65\text{ V}$		$V_{CCA} = 2.3\text{ V}$		$V_{CCA} = 3\text{ V}$		UNIT
			TYP	MIN	MAX	MIN	MAX	MIN	MAX	MIN	MAX	
t_{PLH}	B	A	4.3	2.0	4.2	1.5	4.1	1.2	3.8	1.0	3.7	ns
t_{PHL}			2.6	2.0	4.2	1.5	4.1	1.2	3.8	1.0	3.7	

SWITCHING CHARACTERISTICS

over recommended operating free-air temperature range, $V_{CCB} = 2.3\text{ V}$ (see [Figure 1](#))

PARAMETER	FROM (INPUT)	TO (OUTPUT)	$V_{CCA} = 1.1\text{ V}$	$V_{CCA} = 1.4\text{ V}$		$V_{CCA} = 1.65\text{ V}$		$V_{CCA} = 2.3\text{ V}$		$V_{CCA} = 3\text{ V}$		UNIT
			TYP	MIN	MAX	MIN	MAX	MIN	MAX	MIN	MAX	
t_{PLH}	B	A	2.7	2.0	3.5	1.5	3.1	1.2	2.8	0.2	4.1	ns
t_{PHL}			2.4	2.0	3.7	1.5	3.7	1.2	2.8	0.2	3.5	

SWITCHING CHARACTERISTICS

over recommended operating free-air temperature range, $V_{CCB} = 3\text{ V}$ (see [Figure 1](#))

PARAMETER	FROM (INPUT)	TO (OUTPUT)	$V_{CCA} = 1.1\text{ V}$	$V_{CCA} = 1.4\text{ V}$		$V_{CCA} = 1.65\text{ V}$		$V_{CCA} = 2.3\text{ V}$		$V_{CCA} = 3\text{ V}$		UNIT
			TYP	MIN	MAX	MIN	MAX	MIN	MAX	MIN	MAX	
t_{PLH}	B	A	3.9	2.0	3.8	1.5	3.6	0.5	3.6	0.2	3.6	ns
t_{PHL}			3.9	2.0	3.7	1.5	3.1	0.5	3.5	0.2	3.0	

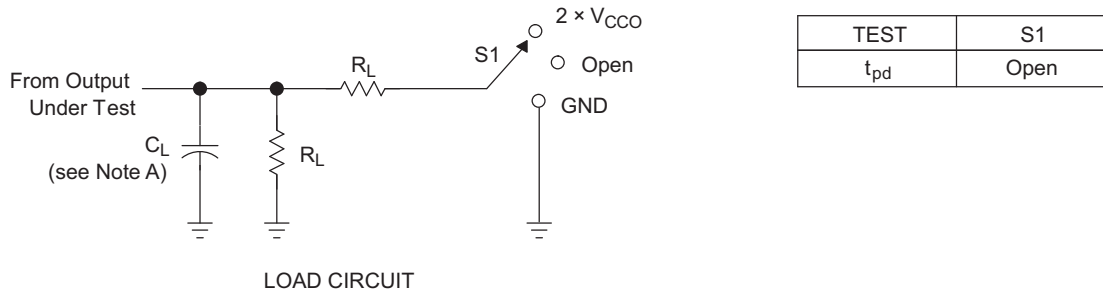
OPERATING CHARACTERISTICS

 $T_A = 25^\circ\text{C}$

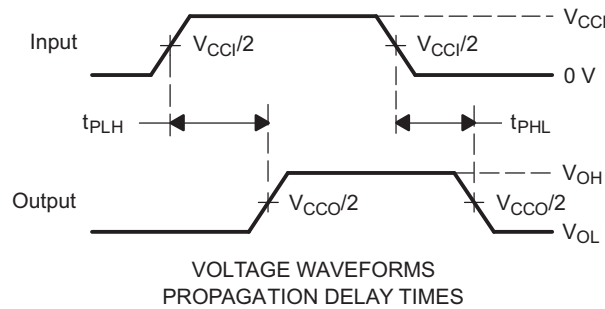
PARAMETER			TEST CONDITIONS	$V_{CCA} =$ $V_{CCB} = 1.1\text{ V}$	$V_{CCA} =$ $V_{CCB} = 1.4\text{ V}$	$V_{CCA} =$ $V_{CCB} = 1.65\text{ V}$	$V_{CCA} =$ $V_{CCB} = 2.3\text{ V}$	$V_{CCA} =$ $V_{CCB} = 3\text{ V}$	UNIT
				TYP	TYP	TYP	TYP	TYP	
C_{pdA} ⁽¹⁾	B to A	Outputs enabled	$C_L = 0,$ $f = 10\text{ MHz},$ $t_r = t_f = 1\text{ ns}$	18.5	18.5	18.5	18.5	18.5	pF

(1) Power dissipation capacitance per transceiver

PARAMETER MEASUREMENT INFORMATION



V_{CCO}	C_L	R_L	V_{TP}
1.2 V	30 pF	0.5 k Ω	0.1 V
1.5 V \pm 0.1 V	30 pF	0.5 k Ω	0.1 V
1.8 V \pm 0.15 V	30 pF	0.5 k Ω	0.15 V
2.5 V \pm 0.2 V	30 pF	0.5 k Ω	0.15 V
3.3 V \pm 0.3 V	30 pF	0.5 k Ω	0.3 V



- NOTES:
- A. C_L includes probe and jig capacitance.
 - B. All input pulses are supplied by generators having the following characteristics: PRR \leq 10 MHz, $Z_O = 50 \Omega$, $dv/dt \geq 1$ V/ns.
 - C. The outputs are measured one at a time, with one transition per measurement.
 - D. t_{PLH} and t_{PHL} are the same as t_{pd} .
 - E. V_{CCi} is V_{CCB} .
 - F. V_{CCo} is V_{CCA} .

Figure 1. Load and Circuit and Voltage Waveforms

PACKAGING INFORMATION

Orderable Device	Status (1)	Package Type	Package Drawing	Pins	Package Qty	Eco Plan (2)	Lead/Ball Finish	MSL Peak Temp (3)	Op Temp (°C)	Top-Side Markings (4)	Samples
SN74AVC4T234ZSUR	ACTIVE	uCSP	ZSU	11	2500	Green (RoHS & no Sb/Br)	NIAU	Level-2-260C-1 YEAR	-40 to 85	ZTD	Samples

(1) The marketing status values are defined as follows:

ACTIVE: Product device recommended for new designs.

LIFEBUY: TI has announced that the device will be discontinued, and a lifetime-buy period is in effect.

NRND: Not recommended for new designs. Device is in production to support existing customers, but TI does not recommend using this part in a new design.

PREVIEW: Device has been announced but is not in production. Samples may or may not be available.

OBSOLETE: TI has discontinued the production of the device.

(2) Eco Plan - The planned eco-friendly classification: Pb-Free (RoHS), Pb-Free (RoHS Exempt), or Green (RoHS & no Sb/Br) - please check <http://www.ti.com/productcontent> for the latest availability information and additional product content details.

TBD: The Pb-Free/Green conversion plan has not been defined.

Pb-Free (RoHS): TI's terms "Lead-Free" or "Pb-Free" mean semiconductor products that are compatible with the current RoHS requirements for all 6 substances, including the requirement that lead not exceed 0.1% by weight in homogeneous materials. Where designed to be soldered at high temperatures, TI Pb-Free products are suitable for use in specified lead-free processes.

Pb-Free (RoHS Exempt): This component has a RoHS exemption for either 1) lead-based flip-chip solder bumps used between the die and package, or 2) lead-based die adhesive used between the die and leadframe. The component is otherwise considered Pb-Free (RoHS compatible) as defined above.

Green (RoHS & no Sb/Br): TI defines "Green" to mean Pb-Free (RoHS compatible), and free of Bromine (Br) and Antimony (Sb) based flame retardants (Br or Sb do not exceed 0.1% by weight in homogeneous material)

(3) MSL, Peak Temp. -- The Moisture Sensitivity Level rating according to the JEDEC industry standard classifications, and peak solder temperature.

(4) Only one of markings shown within the brackets will appear on the physical device.

Important Information and Disclaimer: The information provided on this page represents TI's knowledge and belief as of the date that it is provided. TI bases its knowledge and belief on information provided by third parties, and makes no representation or warranty as to the accuracy of such information. Efforts are underway to better integrate information from third parties. TI has taken and continues to take reasonable steps to provide representative and accurate information but may not have conducted destructive testing or chemical analysis on incoming materials and chemicals. TI and TI suppliers consider certain information to be proprietary, and thus CAS numbers and other limited information may not be available for release.

In no event shall TI's liability arising out of such information exceed the total purchase price of the TI part(s) at issue in this document sold by TI to Customer on an annual basis.

TAPE AND REEL INFORMATION



QUADRANT ASSIGNMENTS FOR PIN 1 ORIENTATION IN TAPE



*All dimensions are nominal

Device	Package Type	Package Drawing	Pins	SPQ	Reel Diameter (mm)	Reel Width W1 (mm)	A0 (mm)	B0 (mm)	K0 (mm)	P1 (mm)	W (mm)	Pin1 Quadrant
SN74AVC4T234ZSUR	uCSP	ZSU	11	2500	330.0	8.4	1.6	2.2	0.55	4.0	8.0	Q2

TAPE AND REEL BOX DIMENSIONS

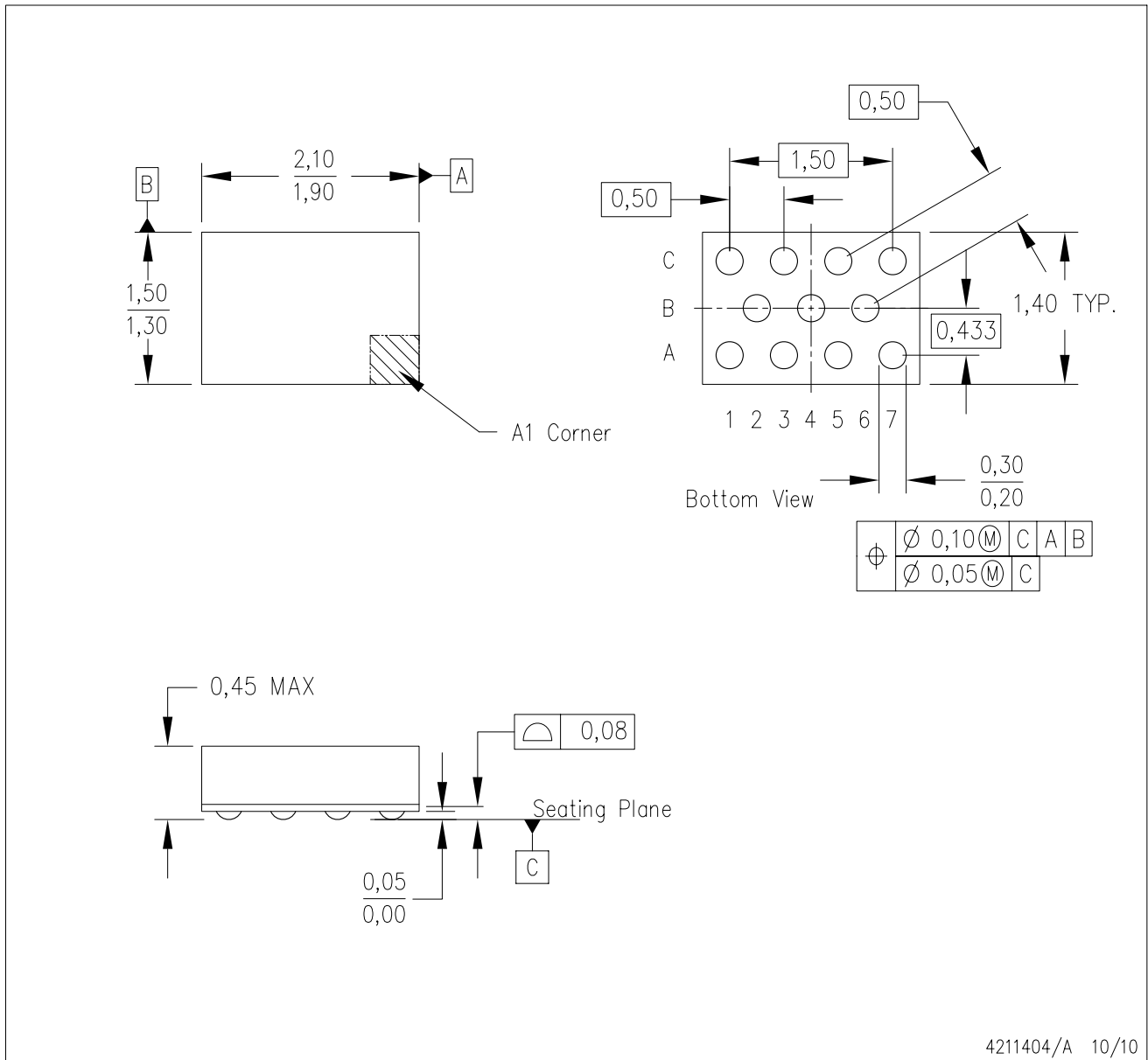


*All dimensions are nominal

Device	Package Type	Package Drawing	Pins	SPQ	Length (mm)	Width (mm)	Height (mm)
SN74AVC4T234ZSUR	uCSP	ZSU	11	2500	338.1	338.1	20.6

ZSU (R-uCSP-N11)

MicrostarCSP™



- NOTES:
- A. All linear dimensions are in millimeters. Dimensioning and tolerancing per ASME Y14.5M-1994.
 - B. This drawing is subject to change without notice.
 - C. MicrostarCSP™ configuration.
 - D. This is a Pb-free solder ball design.

MicrostarCSP is a trademark of Texas Instruments

IMPORTANT NOTICE

Texas Instruments Incorporated and its subsidiaries (TI) reserve the right to make corrections, enhancements, improvements and other changes to its semiconductor products and services per JESD46, latest issue, and to discontinue any product or service per JESD48, latest issue. Buyers should obtain the latest relevant information before placing orders and should verify that such information is current and complete. All semiconductor products (also referred to herein as "components") are sold subject to TI's terms and conditions of sale supplied at the time of order acknowledgment.

TI warrants performance of its components to the specifications applicable at the time of sale, in accordance with the warranty in TI's terms and conditions of sale of semiconductor products. Testing and other quality control techniques are used to the extent TI deems necessary to support this warranty. Except where mandated by applicable law, testing of all parameters of each component is not necessarily performed.

TI assumes no liability for applications assistance or the design of Buyers' products. Buyers are responsible for their products and applications using TI components. To minimize the risks associated with Buyers' products and applications, Buyers should provide adequate design and operating safeguards.

TI does not warrant or represent that any license, either express or implied, is granted under any patent right, copyright, mask work right, or other intellectual property right relating to any combination, machine, or process in which TI components or services are used. Information published by TI regarding third-party products or services does not constitute a license to use such products or services or a warranty or endorsement thereof. Use of such information may require a license from a third party under the patents or other intellectual property of the third party, or a license from TI under the patents or other intellectual property of TI.

Reproduction of significant portions of TI information in TI data books or data sheets is permissible only if reproduction is without alteration and is accompanied by all associated warranties, conditions, limitations, and notices. TI is not responsible or liable for such altered documentation. Information of third parties may be subject to additional restrictions.

Resale of TI components or services with statements different from or beyond the parameters stated by TI for that component or service voids all express and any implied warranties for the associated TI component or service and is an unfair and deceptive business practice. TI is not responsible or liable for any such statements.

Buyer acknowledges and agrees that it is solely responsible for compliance with all legal, regulatory and safety-related requirements concerning its products, and any use of TI components in its applications, notwithstanding any applications-related information or support that may be provided by TI. Buyer represents and agrees that it has all the necessary expertise to create and implement safeguards which anticipate dangerous consequences of failures, monitor failures and their consequences, lessen the likelihood of failures that might cause harm and take appropriate remedial actions. Buyer will fully indemnify TI and its representatives against any damages arising out of the use of any TI components in safety-critical applications.

In some cases, TI components may be promoted specifically to facilitate safety-related applications. With such components, TI's goal is to help enable customers to design and create their own end-product solutions that meet applicable functional safety standards and requirements. Nonetheless, such components are subject to these terms.

No TI components are authorized for use in FDA Class III (or similar life-critical medical equipment) unless authorized officers of the parties have executed a special agreement specifically governing such use.

Only those TI components which TI has specifically designated as military grade or "enhanced plastic" are designed and intended for use in military/aerospace applications or environments. Buyer acknowledges and agrees that any military or aerospace use of TI components which have **not** been so designated is solely at the Buyer's risk, and that Buyer is solely responsible for compliance with all legal and regulatory requirements in connection with such use.

TI has specifically designated certain components as meeting ISO/TS16949 requirements, mainly for automotive use. In any case of use of non-designated products, TI will not be responsible for any failure to meet ISO/TS16949.

Products

Audio	www.ti.com/audio
Amplifiers	amplifier.ti.com
Data Converters	dataconverter.ti.com
DLP® Products	www.dlp.com
DSP	dsp.ti.com
Clocks and Timers	www.ti.com/clocks
Interface	interface.ti.com
Logic	logic.ti.com
Power Mgmt	power.ti.com
Microcontrollers	microcontroller.ti.com
RFID	www.ti-rfid.com
OMAP Applications Processors	www.ti.com/omap
Wireless Connectivity	www.ti.com/wirelessconnectivity

Applications

Automotive and Transportation	www.ti.com/automotive
Communications and Telecom	www.ti.com/communications
Computers and Peripherals	www.ti.com/computers
Consumer Electronics	www.ti.com/consumer-apps
Energy and Lighting	www.ti.com/energy
Industrial	www.ti.com/industrial
Medical	www.ti.com/medical
Security	www.ti.com/security
Space, Avionics and Defense	www.ti.com/space-avionics-defense
Video and Imaging	www.ti.com/video

TI E2E Community

e2e.ti.com