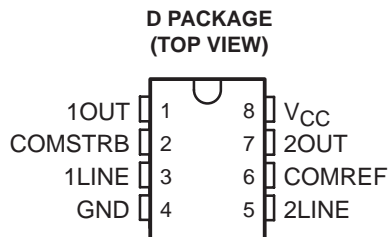


- Single 5-V Supply
- ± 100 -mV Sensitivity
- For Application as:
 - Single-Ended Line Receiver
 - Gated Oscillator
 - Level Comparator
- Adjustable Reference Voltage
- TTL Outputs
- TTL-Compatible Strobe
- Designed for Party-Line (Data-Bus) Applications
- Common Reference-Voltage Pin
- Common Strobe



description/ordering information

This device consists of a dual single-ended line receiver with TTL-compatible strobes and outputs. The reference voltage (switching threshold) is applied externally and can be adjusted from 1.5 V to 3.4 V, making it possible to optimize noise immunity for a given system design. Due to the low input current (less than 100 μ A), the device is suited ideally for party-line (data-bus) systems.

The SN74LS2323 has a common reference-voltage pin and a common strobe.

ORDERING INFORMATION

T _A	PACKAGE†	ORDERABLE PART NUMBER	TOP-SIDE MARKING
0°C to 70°C	SOIC – D	Tube	SN74LS2323D
		Tape and reel	SN74LS2323DR
			LS2323

† Package drawings, standard packing quantities, thermal data, symbolization, and PCB design guidelines are available at www.ti.com/sc/package.

FUNCTION TABLE (each receiver)

LINE INPUT	STROBE	OUTPUT
$\leq (V_{REF} - 100 \text{ mV})$	L	H
$\geq (V_{REF} + 100 \text{ mV})$	X	L
X	H	L

H = high level, L = low level, X = irrelevant



Please be aware that an important notice concerning availability, standard warranty, and use in critical applications of Texas Instruments semiconductor products and disclaimers thereto appears at the end of this data sheet.

PRODUCTION DATA information is current as of publication date. Products conform to specifications per the terms of Texas Instruments standard warranty. Production processing does not necessarily include testing of all parameters.

**TEXAS
INSTRUMENTS**

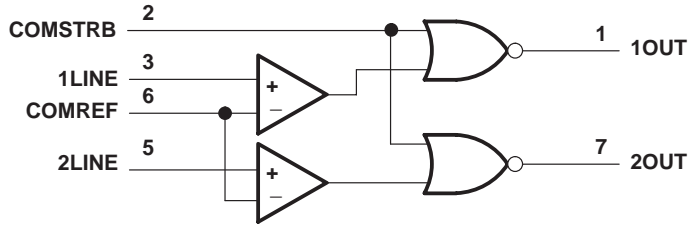
POST OFFICE BOX 655303 • DALLAS, TEXAS 75265

Copyright © 2004, Texas Instruments Incorporated

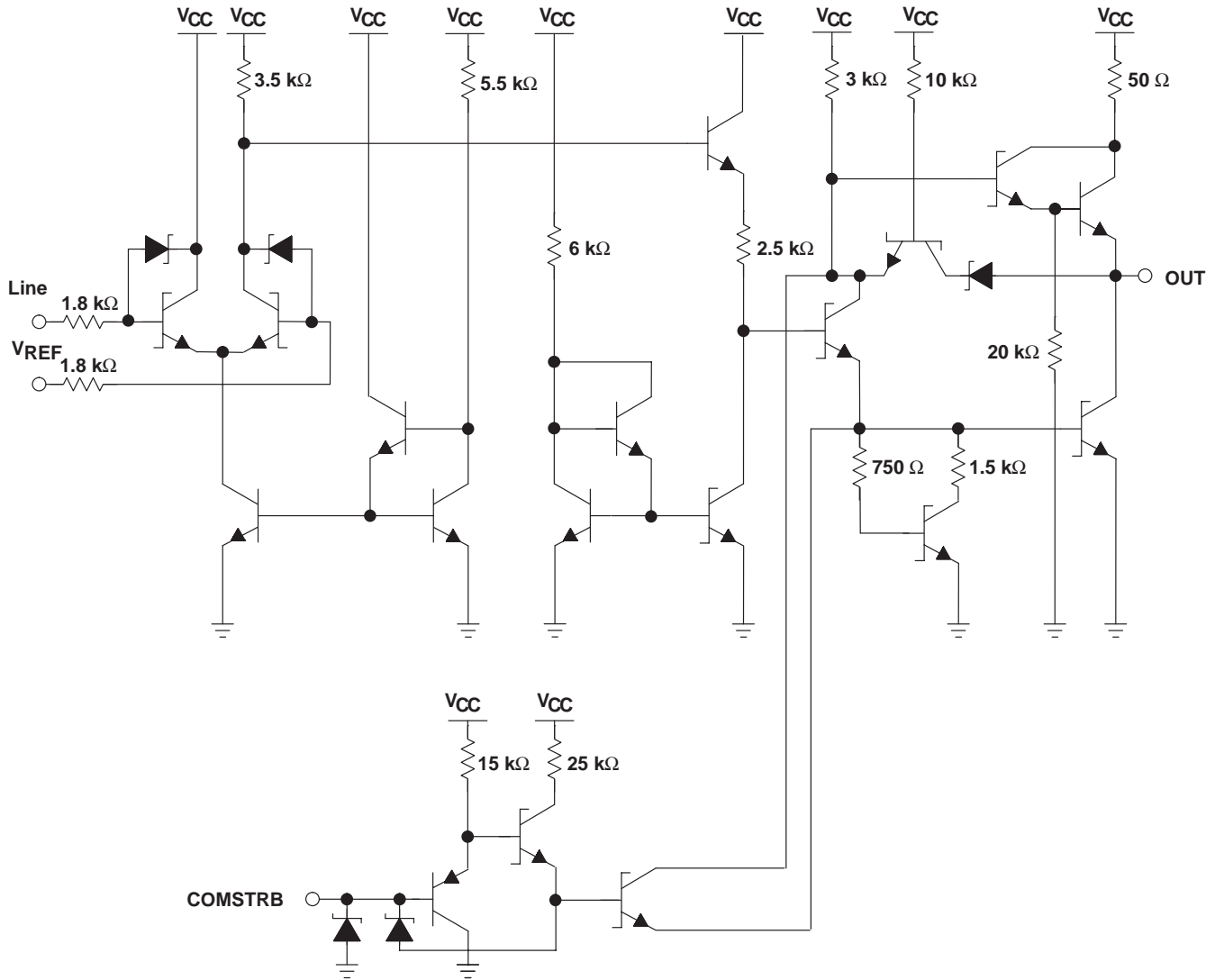
SN74LS2323 DUAL LINE RECEIVER

SDLS965 – OCTOBER 2004

logic diagram (positive logic)



schematic (each receiver)



absolute maximum ratings over operating free-air temperature range (unless otherwise noted)†

Supply voltage, V_{CC} (see Note 1)	7 V
Reference input voltage, V_{REF}	5.5 V
Line input voltage range with respect to GND	–2 V to 7 V
Line input voltage with respect to V_{REF}	±5 V
Strobe input voltage, $V_{I(S)}$	7 V
Package thermal impedance, θ_{JA} (see Note 2)	97°C/W
Lead temperature 1,6 mm (1/16 inch) from case for 10 seconds	260°C
Storage temperature range, T_{stg}	–65°C to 150°C

† Stresses beyond those listed under “absolute maximum ratings” may cause permanent damage to the device. These are stress ratings only, and functional operation of the device at these or any other conditions beyond those indicated under “recommended operating conditions” is not implied. Exposure to absolute-maximum-rated conditions for extended periods may affect device reliability.

- NOTES: 1. Unless otherwise specified, voltage values are with respect to network ground terminal.
2. The package thermal impedance is calculated in accordance with JESD 51-7.

recommended operating conditions

		MIN	NOM	MAX	UNIT
V_{CC}	Supply voltage	4.5	5	5.5	V
V_{ref}	Reference input voltage	1.8		‡	V
$V_{I(L)}$	High-level line input voltage	0		$V_{CC} - 1$	V
$V_{I(S)}$	High-level strobe input voltage	0		7	V
T_A	Operating free-air temperature range	0		70	°C

‡ Max = $V_{CC} - 1.5\text{ V} > V_{REF} < 3.4\text{ V}$

SN74LS2323

DUAL LINE RECEIVER

SDLS965 – OCTOBER 2004

electrical characteristics over recommended operating free-air temperature range, $V_{CC} = 5\text{ V} \pm 10\%$, $V_{REF} = 1.5\text{ V to } 3.5\text{ V}$ (unless otherwise noted)

PARAMETER		TEST CONDITIONS	MIN	MAX	UNIT	
$V_{IH(L)}$	High-level line input voltage	$V_{I(S)} = 0.8\text{ V}$, $I_{OL} = 12\text{ mA}$, $V_{REF} = 2.5\text{ V}$, $V_{OL} \leq 0.6\text{ V}$	$V_{CC} = 4.5\text{ V}$	2.62	6	V
		$V_{I(S)} = 0.8\text{ V}$, $I_{OL} = 16\text{ mA}$, $V_{REF} = 3.4\text{ V}$, $V_{OL} \leq 0.5\text{ V}$	$V_{CC} = 5.5\text{ V}$	3.5	7	
$V_{IL(L)}$	Low-level line input voltage	$V_{I(S)} = 0.8\text{ V}$, $I_{OH} = -0.4\text{ mA}$, $V_{REF} = 2.5\text{ V}$, $V_{OH} \geq 2\text{ V}$	$V_{CC} = 4.5\text{ V}$	-2	2.38	V
		$V_{I(S)} = 0.8\text{ V}$, $I_{OH} = -0.4\text{ mA}$, $V_{REF} = 3.4\text{ V}$, $V_{OH} \geq 3.2\text{ V}$	$V_{CC} = 5.5\text{ V}$	-2	3.3	
$V_{IH(S)}$	High-level output control input voltage	$V_{I(L)} = 1.8\text{ V}$, $V_{REF} = 2.5\text{ V}$, $V_O \leq 0.4\text{ V}$	$V_{CC} = 4.5\text{ V}$	2	V	
$V_{IL(S)}$	Low-level output control input voltage	$V_{I(L)} = 1.8\text{ V}$, $V_{REF} = 2.5\text{ V}$, $V_O \geq 2.4\text{ V}$	$V_{CC} = 4.5\text{ V}$	0.8	V	
V_{OH}	High-level output voltage	$V_{I(L)} = 1.4\text{ V}$, $V_{I(S)} = 0.8\text{ V}$, $I_{OH} = -1\text{ mA}$, $V_{REF} = 2.5\text{ V}$	$V_{CC} = 4.5\text{ V}$	2	V	
			$V_{CC} = 5\text{ V}$	2.7		
			$V_{CC} = 5.5\text{ V}$	2.7		
V_{OL}	Low-level output voltage	$V_{I(L)} = 3.8\text{ V}$, $V_{I(S)} = 0.8\text{ V}$, $V_{REF} = 2.5\text{ V}$	$V_{CC} = 4.5\text{ V}$, $I_{OL} = 16\text{ mA}$	0.6	V	
			$V_{CC} = 5\text{ V}$, $I_{OL} = 24\text{ mA}$	0.5		
			$V_{CC} = 5.5\text{ V}$, $I_{OL} = 24\text{ mA}$	0.5		
$I_{IH(S)}$	High-level input current	$V_{I(L)} = 3.8\text{ V}$, $V_{REF} = 2.5\text{ V}$	$V_{CC} = 5.5\text{ V}$, $V_{I(S)} = 2.4\text{ V}$	20	μA	
			$V_{CC} = 5.5\text{ V}$, $V_{I(S)} = 7\text{ V}$	100		
$I_{IH(L)}$	High-level input current	$V_{I(S)} = 2.4\text{ V}$, $V_{REF} = 2.5\text{ V}$	$V_{CC} = 5\text{ V}$, $V_{I(L)} = 5\text{ V}$	100	μA	
			$V_{CC} = 5\text{ V}$, $V_{I(L)} = 5.5\text{ V}$	2	mA	
$I_{IH(REF)}$	High-level input current	$V_{I(S)} = 2.4\text{ V}$, $V_{REF} = 3.4\text{ V}$	$V_{CC} = 5.5\text{ V}$, $V_{I(L)} = 2.5\text{ V}$	500	μA	
$I_{IL(S)}$	Low-level input current	$V_{I(L)} = 1.8\text{ V}$, $V_{REF} = 0.1\text{ V}$	$V_{CC} = 5.5\text{ V}$, $V_{I(S)} = 0.4\text{ V}$	-400	μA	
$I_{IL(L)}$	Low-level input current at Line input	$V_{I(L)} = 0.1\text{ V}$, $V_{REF} = 1.8\text{ V}$	$V_{CC} = 5.5\text{ V}$, $V_{I(S)} = 0.4\text{ V}$	-100	μA	
$I_{IL(REF)}$	Low-level input current at REF pin	$V_{I(L)} = 1.8\text{ V}$, $V_{REF} = 0.1\text{ V}$	$V_{CC} = 5.5\text{ V}$, $V_{I(S)} = 0.4\text{ V}$	-100	μA	
I_{OS}	Short-circuit output current [†]	$V_{I(L)} = 1.8\text{ V}$, $V_{REF} = 2.8\text{ V}$	$V_{CC} = 5.5\text{ V}$, $V_{I(S)} = 0.4\text{ V}$	-30	-130	mA
I_{CCH}	Supply current, output high	$V_{I(S)} = 0$, $V_{CC} = 5.5\text{ V}$, $V_{I(L)} = V_{REF} - 100\text{ mV}$		12	mA	
I_{CCL}	Supply current, output low	$V_{I(S)} = 0$, $V_{CC} = 5.5\text{ V}$, $V_{I(L)} = V_{REF} + 100\text{ mV}$		16	mA	

[†] Only one output should be shorted at a time, and duration of the short circuit should not exceed one second.

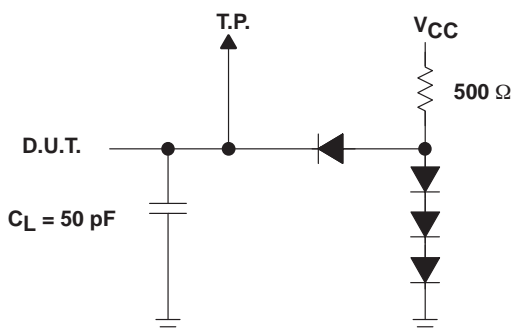


switching characteristics, $V_{CC} = 5\text{ V} \pm 10\%$, $V_{REF} = 2.5\text{ V}$, $T_A = 0^\circ\text{C}$ to 70°C

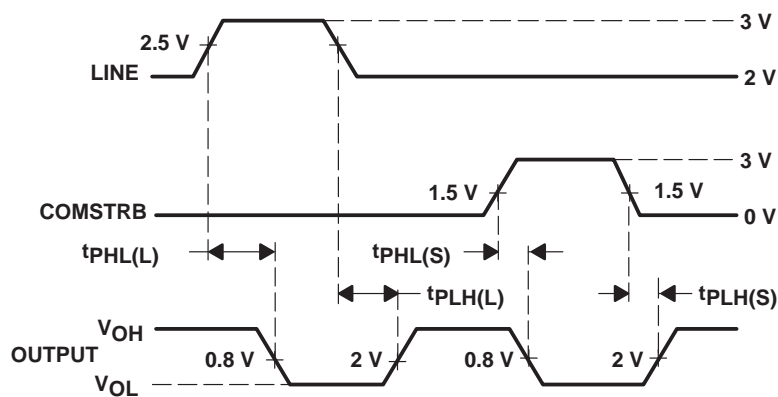
PARAMETER	TEST CONDITIONS	MIN	TYP†	MAX	UNIT
$t_{PLH(L)}$ Propagation delay time, low- to high-level output from LINE	$C_L = 50\text{ pF}$, $R_L = 500\ \Omega$, See Figure 1	10	25	35	ns
$t_{PHL(L)}$ Propagation delay time, high- to low-level output from LINE	$C_L = 50\text{ pF}$, $R_L = 500\ \Omega$, See Figure 1	10	25	35	ns
$t_{PLH(S)}$ Propagation delay time, low- to high-level output from COMSTRB	$C_L = 50\text{ pF}$, $R_L = 500\ \Omega$, See Figure 1		11	22	ns
$t_{PHL(S)}$ Propagation delay time, high- to low-level output from COMSTRB	$C_L = 50\text{ pF}$, $R_L = 500\ \Omega$, See Figure 1		8	15	ns

† All typical values are at $V_{CC} = 5\text{ V}$, $T_A = 25^\circ\text{C}$.

PARAMETER MEASUREMENT INFORMATION



TEST CIRCUIT

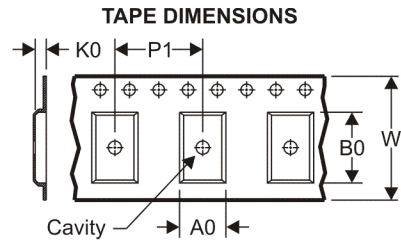
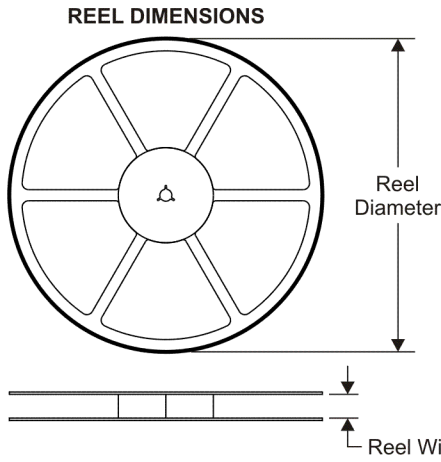


VOLTAGE WAVEFORMS

- NOTES: A. All input pulses are supplied by generators having the following characteristics: $PRR \leq 1\text{ MHz}$, t_r and $t_f \leq 2\text{ ns}$, and duty cycle = 50%.
 B. C_L includes probe and jig capacitance.
 C. All diodes are 1N914 (or equivalent).
 D. The outputs are measured one at a time, with one input transition per measurement.

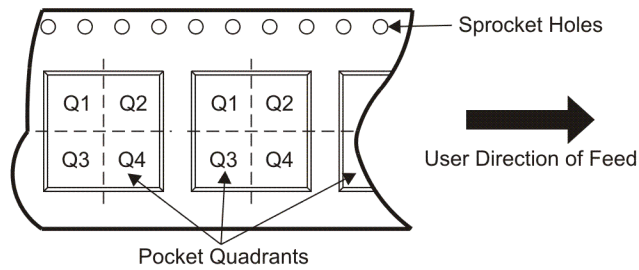
Figure 1. Load Circuit and Voltage Waveforms

TAPE AND REEL INFORMATION



A0	Dimension designed to accommodate the component width
B0	Dimension designed to accommodate the component length
K0	Dimension designed to accommodate the component thickness
W	Overall width of the carrier tape
P1	Pitch between successive cavity centers

QUADRANT ASSIGNMENTS FOR PIN 1 ORIENTATION IN TAPE



*All dimensions are nominal

Device	Package Type	Package Drawing	Pins	SPQ	Reel Diameter (mm)	Reel Width W1 (mm)	A0 (mm)	B0 (mm)	K0 (mm)	P1 (mm)	W (mm)	Pin1 Quadrant
SN74LS2323DR	SOIC	D	8	2500	330.0	12.4	6.4	5.2	2.1	8.0	12.0	Q1

TAPE AND REEL BOX DIMENSIONS



*All dimensions are nominal

Device	Package Type	Package Drawing	Pins	SPQ	Length (mm)	Width (mm)	Height (mm)
SN74LS2323DR	SOIC	D	8	2500	340.5	338.1	20.6

D (R-PDSO-G8)

PLASTIC SMALL OUTLINE



4040047-3/M 06/11

D (R-PDSO-G8)

PLASTIC SMALL OUTLINE



4211283-2/E 08/12

- NOTES:
- A. All linear dimensions are in millimeters.
 - B. This drawing is subject to change without notice.
 - C. Publication IPC-7351 is recommended for alternate designs.
 - D. Laser cutting apertures with trapezoidal walls and also rounding corners will offer better paste release. Customers should contact their board assembly site for stencil design recommendations. Refer to IPC-7525 for other stencil recommendations.
 - E. Customers should contact their board fabrication site for solder mask tolerances between and around signal pads.

IMPORTANT NOTICE

Texas Instruments Incorporated and its subsidiaries (TI) reserve the right to make corrections, enhancements, improvements and other changes to its semiconductor products and services per JESD46C and to discontinue any product or service per JESD48B. Buyers should obtain the latest relevant information before placing orders and should verify that such information is current and complete. All semiconductor products (also referred to herein as "components") are sold subject to TI's terms and conditions of sale supplied at the time of order acknowledgment.

TI warrants performance of its components to the specifications applicable at the time of sale, in accordance with the warranty in TI's terms and conditions of sale of semiconductor products. Testing and other quality control techniques are used to the extent TI deems necessary to support this warranty. Except where mandated by applicable law, testing of all parameters of each component is not necessarily performed.

TI assumes no liability for applications assistance or the design of Buyers' products. Buyers are responsible for their products and applications using TI components. To minimize the risks associated with Buyers' products and applications, Buyers should provide adequate design and operating safeguards.

TI does not warrant or represent that any license, either express or implied, is granted under any patent right, copyright, mask work right, or other intellectual property right relating to any combination, machine, or process in which TI components or services are used. Information published by TI regarding third-party products or services does not constitute a license to use such products or services or a warranty or endorsement thereof. Use of such information may require a license from a third party under the patents or other intellectual property of the third party, or a license from TI under the patents or other intellectual property of TI.

Reproduction of significant portions of TI information in TI data books or data sheets is permissible only if reproduction is without alteration and is accompanied by all associated warranties, conditions, limitations, and notices. TI is not responsible or liable for such altered documentation. Information of third parties may be subject to additional restrictions.

Resale of TI components or services with statements different from or beyond the parameters stated by TI for that component or service voids all express and any implied warranties for the associated TI component or service and is an unfair and deceptive business practice. TI is not responsible or liable for any such statements.

Buyer acknowledges and agrees that it is solely responsible for compliance with all legal, regulatory and safety-related requirements concerning its products, and any use of TI components in its applications, notwithstanding any applications-related information or support that may be provided by TI. Buyer represents and agrees that it has all the necessary expertise to create and implement safeguards which anticipate dangerous consequences of failures, monitor failures and their consequences, lessen the likelihood of failures that might cause harm and take appropriate remedial actions. Buyer will fully indemnify TI and its representatives against any damages arising out of the use of any TI components in safety-critical applications.

In some cases, TI components may be promoted specifically to facilitate safety-related applications. With such components, TI's goal is to help enable customers to design and create their own end-product solutions that meet applicable functional safety standards and requirements. Nonetheless, such components are subject to these terms.

No TI components are authorized for use in FDA Class III (or similar life-critical medical equipment) unless authorized officers of the parties have executed a special agreement specifically governing such use.

Only those TI components which TI has specifically designated as military grade or "enhanced plastic" are designed and intended for use in military/aerospace applications or environments. Buyer acknowledges and agrees that any military or aerospace use of TI components which have **not** been so designated is solely at the Buyer's risk, and that Buyer is solely responsible for compliance with all legal and regulatory requirements in connection with such use.

TI has specifically designated certain components which meet ISO/TS16949 requirements, mainly for automotive use. Components which have not been so designated are neither designed nor intended for automotive use; and TI will not be responsible for any failure of such components to meet such requirements.

Products

Audio	www.ti.com/audio
Amplifiers	amplifier.ti.com
Data Converters	dataconverter.ti.com
DLP® Products	www.dlp.com
DSP	dsp.ti.com
Clocks and Timers	www.ti.com/clocks
Interface	interface.ti.com
Logic	logic.ti.com
Power Mgmt	power.ti.com
Microcontrollers	microcontroller.ti.com
RFID	www.ti-rfid.com
OMAP Mobile Processors	www.ti.com/omap
Wireless Connectivity	www.ti.com/wirelessconnectivity

Applications

Automotive and Transportation	www.ti.com/automotive
Communications and Telecom	www.ti.com/communications
Computers and Peripherals	www.ti.com/computers
Consumer Electronics	www.ti.com/consumer-apps
Energy and Lighting	www.ti.com/energy
Industrial	www.ti.com/industrial
Medical	www.ti.com/medical
Security	www.ti.com/security
Space, Avionics and Defense	www.ti.com/space-avionics-defense
Video and Imaging	www.ti.com/video

TI E2E Community e2e.ti.com