

SN55451B, SN55452B, SN55453B, SN55454B SN75451B, SN75452B, SN75453B, SN75454B DUAL PERIPHERAL DRIVERS

SLRS021B – DECEMBER 1976 – REVISED SEPTEMBER 1999

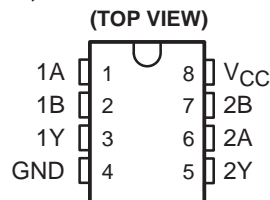
PERIPHERAL DRIVERS FOR HIGH-CURRENT SWITCHING AT VERY HIGH SPEEDS

- Characterized for Use to 300 mA
- High-Voltage Outputs
- No Output Latch-Up at 20 V (After Conducting 300 mA)
- High-Speed Switching
- Circuit Flexibility for Varied Applications
- TTL-Compatible Diode-Clamped Inputs
- Standard Supply Voltages
- Plastic DIP (P) With Copper Lead Frame Provides Cooler Operation and Improved Reliability
- Package Options Include Plastic Small-Outline Packages, Ceramic Chip Carriers, and Standard Plastic and Ceramic 300-mil DIPs

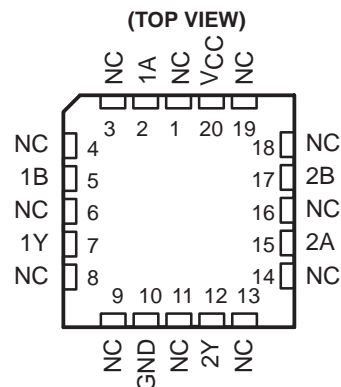
SUMMARY OF DEVICES

DEVICE	LOGIC OF COMPLETE CIRCUIT	PACKAGES
SN55451B	AND	FK, JG
SN55452B	NAND	JG
SN55453B	OR	FK, JG
SN55454B	NOR	JG
SN75451B	AND	D, P
SN75452B	NAND	D, P
SN75453B	OR	D, P
SN75454B	NOR	D, P

SN55451B, SN55452B,
SN55453B, SN55454B . . . JG PACKAGE
SN75451B, SN75452B,
SN75453B, SN75454B . . . D OR P PACKAGE



SN55451B, SN55452B
SN55453B, SN55454B . . . FK PACKAGE



NC – No internal connection

description

The SN55451B through SN55454B and SN75451B through SN75454B are dual peripheral drivers designed for use in systems that employ TTL logic. This family is functionally interchangeable with and replaces the SN75450 family and the SN75450A family devices manufactured previously. The speed of the devices is equal to that of the SN75450 family, and the parts are designed to ensure freedom from latch-up. Diode-clamped inputs simplify circuit design. Typical applications include high-speed logic buffers, power drivers, relay drivers, lamp drivers, MOS drivers, line drivers, and memory drivers.

The SN55451B/SN75451B, SN55452B/SN75452B, SN55453B/SN75453B, and SN55454B/SN75454B are dual peripheral AND, NAND, OR, and NOR drivers, respectively (assuming positive logic), with the output of the logic gates internally connected to the bases of the npn output transistors.

The SN55' drivers are characterized for operation over the full military range of -55°C to 125°C . The SN75' drivers are characterized for operation from 0°C to 70°C .

**SN55451B, SN55452B, SN55453B, SN55454B
SN75451B, SN75452B, SN75453B, SN75454B
DUAL PERIPHERAL DRIVERS**

SLRS021B – DECEMBER 1976 – REVISED SEPTEMBER 1999

absolute maximum ratings over operating free-air temperature range (unless otherwise noted)

	SN55'	SN75'	UNIT
Supply voltage, V_{CC} (see Note 1)	7	7	V
Input voltage, V_I	5.5	5.5	V
Inter-emitter voltage (see Note 2)	5.5	5.5	V
Off-state output voltage, V_O	30	30	V
Continuous collector or output current, I_{OK} (see Note 3)	400	400	mA
Peak collector or output current, I_I ($t_W \leq 10$ ms, duty cycle $\leq 50\%$, see Note 4)	500	500	mA
Continuous total power dissipation	See Dissipation Rating Table		
Operating free-air temperature range, T_A	-55 to 125	0 to 70	°C
Storage temperature range, T_{stg}	-65 to 150	-65 to 150	°C
Case temperature for 60 seconds	FK package	260	°C
Lead temperature 1,6 mm (1/16 inch) from case for 60 seconds	JG package	300	°C
Lead temperature 1,6 mm (1/16 inch) from case for 10 seconds	D or P package		260 °C

- NOTES: 1. Voltage values are with respect to network GND, unless otherwise specified.
 2. This is the voltage between two emitters of a multiple-emitter transistor.
 3. This value applies when the base-emitter resistance (R_{BE}) is equal to or less than 500 Ω .
 4. Both halves of these dual circuits may conduct rated current simultaneously; however, power dissipation averaged over a short time interval must fall within the continuous dissipation rating.

DISSIPATION RATING TABLE

PACKAGE	$T_A \leq 25^\circ\text{C}$ POWER RATING	DERATING FACTOR ABOVE $T_A = 25^\circ\text{C}$	$T_A = 70^\circ\text{C}$ POWER RATING	$T_A = 125^\circ\text{C}$ POWER RATING
D	725 mW	5.8 mW/°C	464 mW	—
FK	1375 mW	11.0 mW/°C	880 mW	275 mW
JG	1050 mW	8.4 mW/°C	672 mW	210 mW
P	1000 mW	8.0 mW/°C	640 mW	—

recommended operating conditions

	SN55'			SN75'			UNIT
	MIN	NOM	MAX	MIN	NOM	MAX	
Supply voltage, V_{CC}	4.5	5	5.5	4.75	5	5.25	V
High-level input voltage, V_{IH}	2			2			V
Low-level input voltage, V_{IL}	0.8			0.8			V
Operating free-air temperature, T_A	-55 125			0 70			°C



SN55451B, SN55452B, SN55453B, SN55454B SN75451B, SN75452B, SN75453B, SN75454B DUAL PERIPHERAL DRIVERS

SLRS021B – DECEMBER 1976 – REVISED SEPTEMBER 1999

logic symbol†



† This symbol is in accordance with ANSI/IEEE Std 91-1984 and IEC publication 617-12.

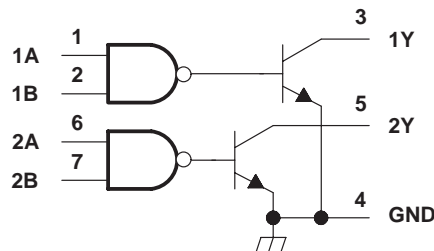
Pin numbers shown are for the D, JG, and P packages.

FUNCTION TABLE
(each driver)

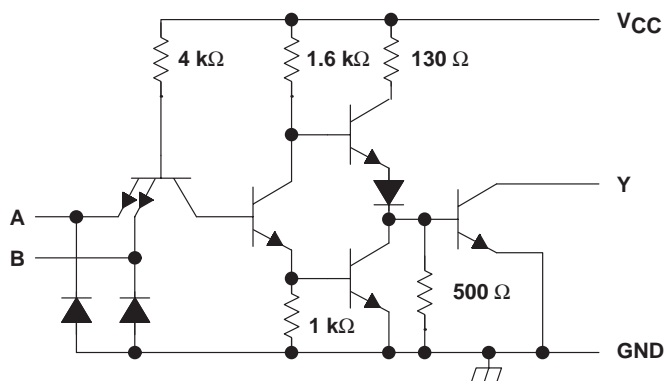
A	B	Y
L	L	L (on state)
L	H	L (on state)
H	L	L (on state)
H	H	H (off state)

positive logic:
 $Y = AB$ or $\overline{A+B}$

logic diagram (positive logic)



schematic (each driver)



Resistor values shown are nominal.

electrical characteristics over recommended operating free-air temperature range

PARAMETER	TEST CONDITIONS‡	SN55451B			SN75451B			UNIT
		MIN	TYP§	MAX	MIN	TYP§	MAX	
V_{IK} Input clamp voltage	$V_{CC} = \text{MIN}$, $I_I = -12 \text{ mA}$	-1.2	-1.5		-1.2	-1.5		V
V_{OL} Low-level output voltage	$V_{CC} = \text{MIN}$, $V_{IL} = 0.8 \text{ V}$, $I_{OL} = 100 \text{ mA}$	0.25	0.5		0.25	0.4		V
	$V_{CC} = \text{MIN}$, $V_{IL} = 0.8 \text{ V}$, $I_{OL} = 300 \text{ mA}$	0.5	0.8		0.5	0.7		
I_{OH} High-level output current	$V_{CC} = \text{MIN}$, $V_{IH} = \text{MIN}$, $V_{OH} = 30 \text{ V}$			300			100	μA
I_I Input current at maximum input voltage	$V_{CC} = \text{MAX}$, $V_I = 5.5 \text{ V}$			1			1	mA
I_{IH} High-level input current	$V_{CC} = \text{MAX}$, $V_I = 2.4 \text{ V}$			40			40	μA
I_{IL} Low-level input current	$V_{CC} = \text{MAX}$, $V_I = 0.4 \text{ V}$	-1	-1.6		-1	-1.6		mA
I_{CCH} Supply current, outputs high	$V_{CC} = \text{MAX}$, $V_I = 5 \text{ V}$	7	11		7	11		mA
I_{CCL} Supply current, outputs low	$V_{CC} = \text{MAX}$, $V_I = 0$	52	65		52	65		mA

‡ For conditions shown as MIN or MAX, use the appropriate value specified under recommended operating conditions.

§ All typical values are at $V_{CC} = 5 \text{ V}$, $T_A = 25^\circ\text{C}$.

switching characteristics, $V_{CC} = 5 \text{ V}$, $T_A = 25^\circ\text{C}$

PARAMETER	TEST CONDITIONS	MIN	TYP	MAX	UNIT
t_{PLH} Propagation delay time, low-to-high-level output	$I_O \approx 200 \text{ mA}$, $C_L = 15 \text{ pF}$, $R_L = 50 \Omega$, See Figure 1		18	25	ns
t_{PHL} Propagation delay time, high-to-low-level output			18	25	
t_{TLH} Transition time, low-to-high-level output			5	8	
t_{THL} Transition time, high-to-low-level output			7	12	
V_{OH} High-level output voltage after switching	SN55451B	$V_S - 6.5$			mV
	SN75451B	$V_S - 6.5$			

SN55451B, SN55452B, SN55453B, SN55454B SN75451B, SN75452B, SN75453B, SN75454B DUAL PERIPHERAL DRIVERS

SLRS021B – DECEMBER 1976 – REVISED SEPTEMBER 1999

logic symbol†



† This symbol is in accordance with ANSI/IEEE Std 91-1984 and IEC publication 617-12.

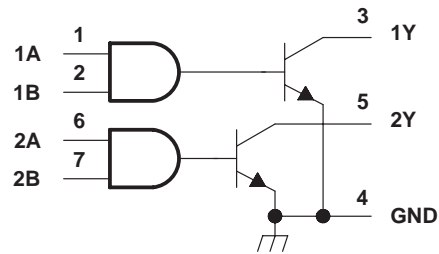
Pin numbers shown are for the D, JG, and P packages.

FUNCTION TABLE
(each driver)

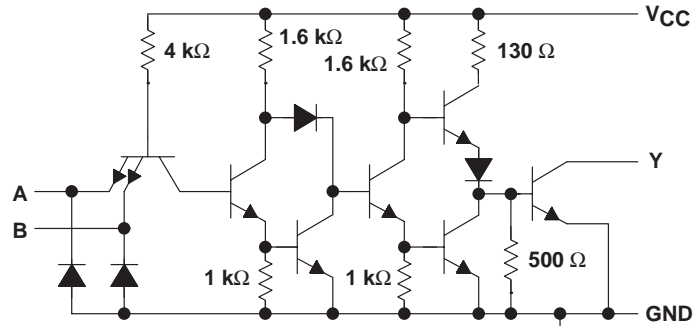
A	B	Y
L	L	H (off state)
L	H	H (off state)
H	L	H (off state)
H	H	L (on state)

positive logic:
 $Y = \overline{AB}$ or $\overline{A+B}$

logic diagram (positive logic)



schematic (each driver)



Resistor values shown are nominal.

electrical characteristics over recommended operating free-air temperature range

PARAMETER	TEST CONDITIONS‡	SN55452B			SN75452B			UNIT	
		MIN	TYP§	MAX	MIN	TYP§	MAX		
V_{IK} Input clamp voltage	$V_{CC} = \text{MIN}$, $I_I = -12 \text{ mA}$	-1.2	-1.5		-1.2	-1.5		V	
V_{OL} Low-level output voltage	$V_{CC} = \text{MIN}$, $V_{IH} = \text{MIN}$, $I_{OL} = 100 \text{ mA}$		0.25	0.5		0.25	0.4	V	
	$V_{CC} = \text{MIN}$, $V_{IH} = \text{MIN}$, $I_{OL} = 300 \text{ mA}$		0.5	0.8		0.5	0.7		
I_{OH} High-level output current	$V_{CC} = \text{MIN}$, $V_{IL} = 0.8 \text{ V}$, $V_{OH} = 30 \text{ V}$			300			100	μA	
I_I Input current at maximum input voltage	$V_{CC} = \text{MAX}$, $V_I = 5.5 \text{ V}$			1			1	mA	
I_{IH} High-level input current	$V_{CC} = \text{MAX}$, $V_I = 2.4 \text{ V}$			40			40	μA	
I_{IL} Low-level input current	$V_{CC} = \text{MAX}$, $V_I = 0.4 \text{ V}$			-1.1			-1.1	-1.6	mA
I_{CCH} Supply current, outputs high	$V_{CC} = \text{MAX}$, $V_I = 0$			11			11	14	mA
I_{CCL} Supply current, outputs low	$V_{CC} = \text{MAX}$, $V_I = 5 \text{ V}$			56			56	71	mA

‡ For conditions shown as MIN or MAX, use the appropriate value specified under recommended operating conditions.

§ All typical values are at $V_{CC} = 5 \text{ V}$, $T_A = 25^\circ\text{C}$.

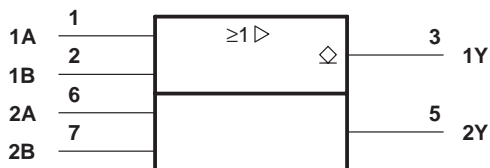
switching characteristics, $V_{CC} = 5 \text{ V}$, $T_A = 25^\circ\text{C}$

PARAMETER	TEST CONDITIONS	MIN	TYP	MAX	UNIT
t_{PLH} Propagation delay time, low-to-high-level output	$I_O \approx 200 \text{ mA}$, $C_L = 15 \text{ pF}$, $R_L = 50 \Omega$, See Figure 1		26	35	ns
t_{PHL} Propagation delay time, high-to-low-level output			24	35	
t_{TLH} Transition time, low-to-high-level output			5	8	
t_{THL} Transition time, high-to-low-level output			7	12	
V_{OH} High-level output voltage after switching	SN55452B	$V_S - 6.5$			mV
	SN75452B	$V_S - 6.5$			

SN55451B, SN55452B, SN55453B, SN55454B SN75451B, SN75452B, SN75453B, SN75454B DUAL PERIPHERAL DRIVERS

SLRS021B – DECEMBER 1976 – REVISED SEPTEMBER 1999

logic symbol†

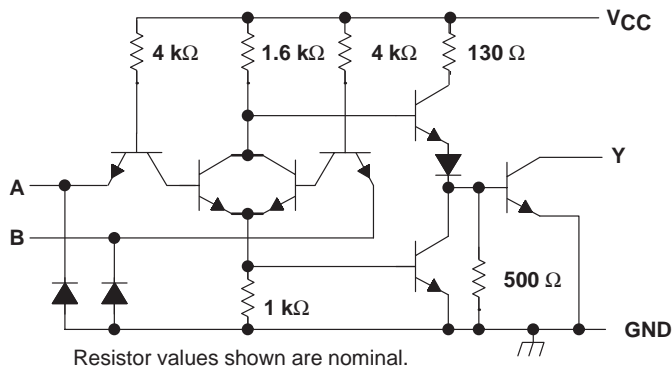


† This symbol is in accordance with ANSI/IEEE Std 91-1984 and IEC publication 617-12. Pin numbers shown are for the D, JG, and P packages.

logic diagram (positive logic)



schematic (each driver)



FUNCTION TABLE
(each driver)

A	B	Y
L	L	L (on state)
L	H	H (off state)
H	L	H (off state)
H	H	H (off state)

positive logic:
 $Y = A+B$ or $\overline{A}\overline{B}$

electrical characteristics over recommended operating free-air temperature range

PARAMETER	TEST CONDITIONS‡	SN55453B		SN75453B		UNIT	
		MIN	TYP§	MAX	MIN		TYP§
V_{IK} Input clamp voltage	$V_{CC} = \text{MIN}$, $I_I = -12 \text{ mA}$	-1.2		-1.5	-1.2		V
V_{OL} Low-level output voltage	$V_{CC} = \text{MIN}$, $V_{IL} = 0.8 \text{ V}$, $I_{OL} = 100 \text{ mA}$	0.25		0.5	0.25		V
	$V_{CC} = \text{MIN}$, $V_{IL} = 0.8 \text{ V}$, $I_{OL} = 300 \text{ mA}$	0.5		0.8	0.5		
I_{OH} High-level output current	$V_{CC} = \text{MIN}$, $V_{IH} = \text{MIN}$, $V_{OH} = 30 \text{ V}$			300		100	μA
I_I Input current at maximum input voltage	$V_{CC} = \text{MAX}$, $V_I = 5.5 \text{ V}$			1		1	mA
I_{IH} High-level input current	$V_{CC} = \text{MAX}$, $V_I = 2.4 \text{ V}$			40		40	μA
I_{IL} Low-level input current	$V_{CC} = \text{MAX}$, $V_I = 0.4 \text{ V}$	-1		-1.6	-1	-1.6	mA
I_{CCH} Supply current, outputs high	$V_{CC} = \text{MAX}$, $V_I = 5 \text{ V}$	8		11	8	11	mA
I_{CCL} Supply current, outputs low	$V_{CC} = \text{MAX}$, $V_I = 0$	54		68	54	68	mA

‡ For conditions shown as MIN or MAX, use the appropriate value specified under recommended operating conditions.

§ All typical values are at $V_{CC} = 5 \text{ V}$, $T_A = 25^\circ\text{C}$.

switching characteristics, $V_{CC} = 5 \text{ V}$, $T_A = 25^\circ\text{C}$

PARAMETER	TEST CONDITIONS	MIN	TYP	MAX	UNIT
t_{PLH} Propagation delay time, low-to-high-level output	$I_O \approx 200 \text{ mA}$, $C_L = 15 \text{ pF}$, $R_L = 50 \Omega$, See Figure 1		18	25	ns
t_{PHL} Propagation delay time, high-to-low-level output			18	25	
t_{TLH} Transition time, low-to-high-level output			5	8	
t_{THL} Transition time, high-to-low-level output			7	12	
V_{OH} High-level output voltage after switching	SN55453B	$V_S - 6.5$			mV
	SN75453B	$V_S - 6.5$			

SN55451B, SN55452B, SN55453B, SN55454B SN75451B, SN75452B, SN75453B, SN75454B DUAL PERIPHERAL DRIVERS

SLRS021B – DECEMBER 1976 – REVISED SEPTEMBER 1999

logic symbol†



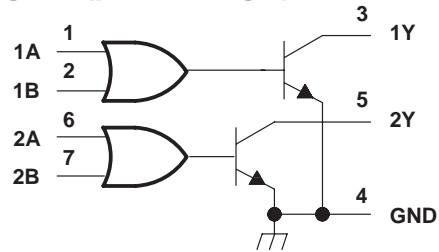
† This symbol is in accordance with ANSI/IEEE Std 91-1984 and IEC publication 617-12. Pin numbers shown are for the D, JG, and P packages.

FUNCTION TABLE
(each driver)

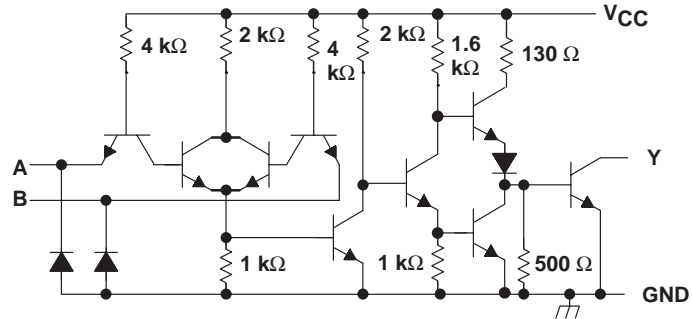
A	B	Y
L	L	H (off state)
L	H	L (on state)
H	L	L (on state)
H	H	L (on state)

positive logic:
 $Y = A+B$ or \overline{AB}

logic diagram (positive logic)



schematic (each driver)



Resistor values shown are nominal.

electrical characteristics over recommended operating free-air temperature range

PARAMETER	TEST CONDITIONS‡	SN55454B			SN75454B			UNIT
		MIN	TYP§	MAX	MIN	TYP§	MAX	
V_{IK} Input clamp voltage	$V_{CC} = \text{MIN}$, $I_I = -12 \text{ mA}$	-1.2	-1.5		-1.2	-1.5		V
V_{OL} Low-level output voltage	$V_{CC} = \text{MIN}$, $V_{IH} = \text{MIN}$, $I_{OL} = 100 \text{ mA}$	0.25	0.5		0.25	0.4		V
	$V_{CC} = \text{MIN}$, $V_{IH} = \text{MIN}$, $I_{OL} = 300 \text{ mA}$	0.5	0.8		0.5	0.7		
I_{OH} High-level output current	$V_{CC} = \text{MIN}$, $V_{OH} = 30 \text{ V}$, $V_{IL} = 0.8 \text{ V}$			300			100	μA
I_I Input current at maximum input voltage	$V_{CC} = \text{MAX}$, $V_I = 5.5 \text{ V}$			1			1	mA
I_{IH} High-level input current	$V_{CC} = \text{MAX}$, $V_I = 2.4 \text{ V}$			40			40	μA
I_{IL} Low-level input current	$V_{CC} = \text{MAX}$, $V_I = 0.4 \text{ V}$	-1	-1.6		-1	-1.6		mA
I_{CCH} Supply current, outputs high	$V_{CC} = \text{MAX}$, $V_I = 0$	13	17		13	17		mA
I_{CCL} Supply current, outputs low	$V_{CC} = \text{MAX}$, $V_I = 5 \text{ V}$	61	79		61	79		mA

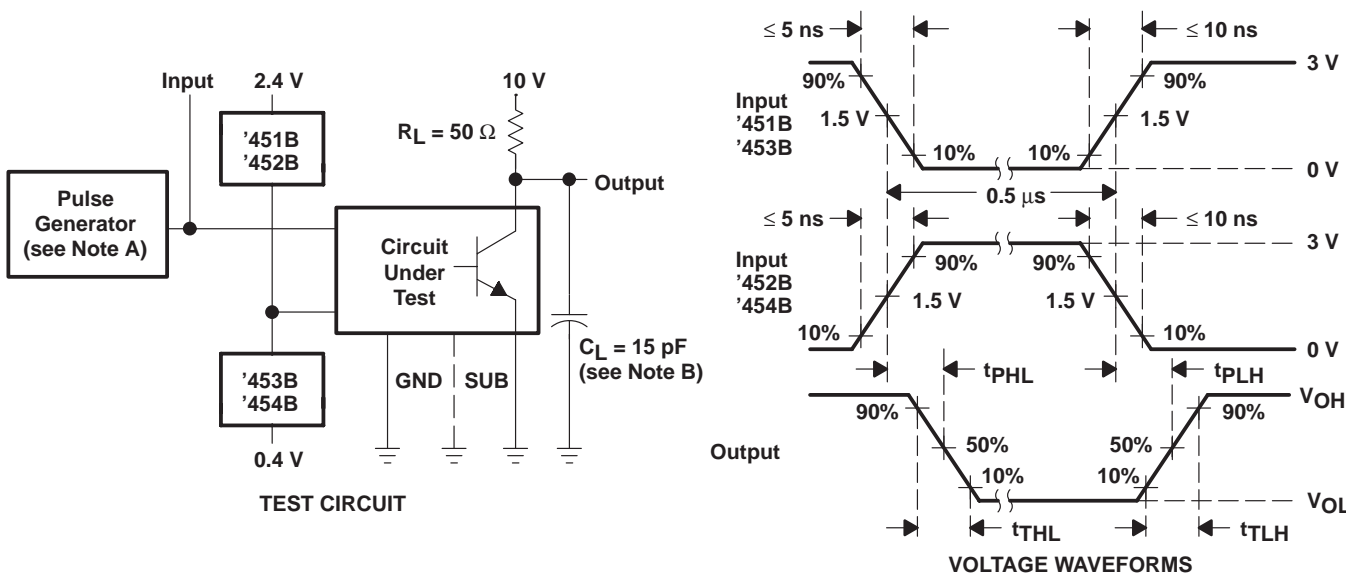
‡ For conditions shown as MIN or MAX, use the appropriate value specified under recommended operating conditions.

§ All typical values are at $V_{CC} = 5 \text{ V}$, $T_A = 25^\circ\text{C}$.

switching characteristics, $V_{CC} = 5 \text{ V}$, $T_A = 25^\circ\text{C}$

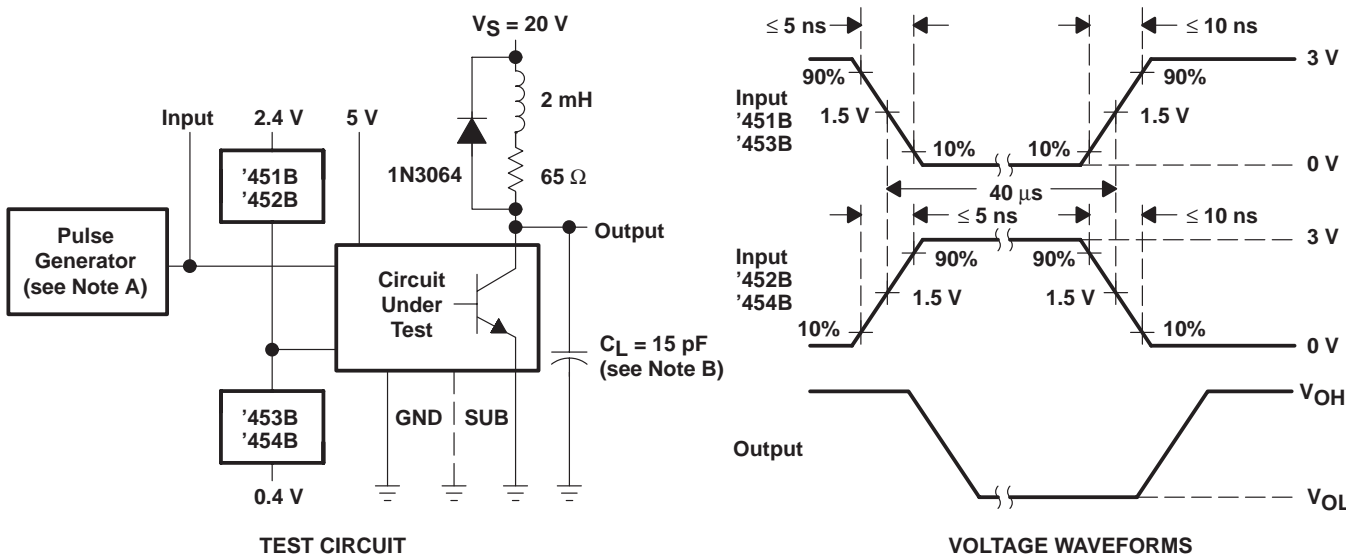
PARAMETER	TEST CONDITIONS	MIN	TYP	MAX	UNIT	
t_{PLH} Propagation delay time, low-to-high-level output	$I_O \approx 200 \text{ mA}$, $C_L = 15 \text{ pF}$, $R_L = 50 \Omega$, See Figure 1		27	35	ns	
t_{PHL} Propagation delay time, high-to-low-level output			24	35		
t_{TLH} Transition time, low-to-high-level output			5	8		
t_{THL} Transition time, high-to-low-level output			7	12		
V_{OH} High-level output voltage after switching	SN55454B	$V_S = 20 \text{ V}$, $I_O \approx 300 \text{ mA}$, See Figure 2			$V_S - 6.5$	mV
	SN75454B				$V_S - 6.5$	

PARAMETER MEASUREMENT INFORMATION



NOTES: A. The pulse generator has the following characteristics: PRR \leq 1 MHz, $Z_O = 50 \Omega$.
 B. C_L includes probe and jig capacitance.

Figure 1. Test Circuit and Voltage Waveforms, Complete Drivers

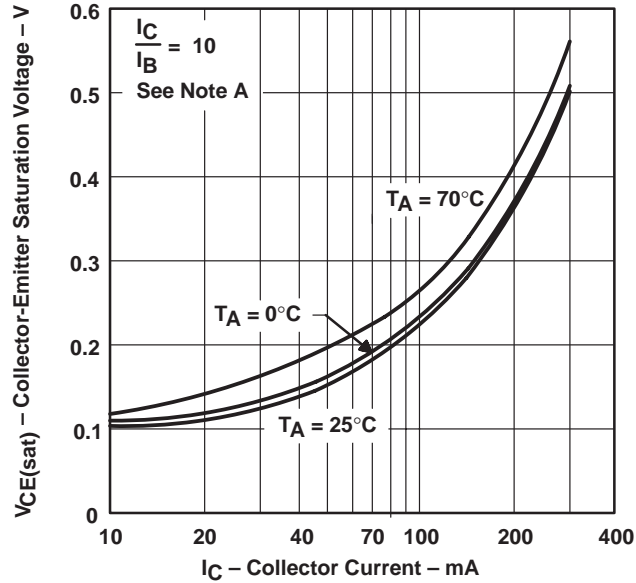


NOTES: A. The pulse generator has the following characteristics: PRR \leq 12.5 kHz, $Z_O = 50 \Omega$.
 B. C_L includes probe and jig capacitance.

Figure 2. Test Circuit and Voltage Waveforms for Latch-Up Test of Complete Drivers

TYPICAL CHARACTERISTICS

TRANSISTOR
COLLECTOR-EMITTER SATURATION VOLTAGE
vs
COLLECTOR CURRENT



NOTE A: These parameters must be measured using pulse techniques, $t_w = 300 \mu\text{s}$, duty cycle $\leq 2\%$.

Figure 3

IMPORTANT NOTICE

Texas Instruments and its subsidiaries (TI) reserve the right to make changes to their products or to discontinue any product or service without notice, and advise customers to obtain the latest version of relevant information to verify, before placing orders, that information being relied on is current and complete. All products are sold subject to the terms and conditions of sale supplied at the time of order acknowledgement, including those pertaining to warranty, patent infringement, and limitation of liability.

TI warrants performance of its semiconductor products to the specifications applicable at the time of sale in accordance with TI's standard warranty. Testing and other quality control techniques are utilized to the extent TI deems necessary to support this warranty. Specific testing of all parameters of each device is not necessarily performed, except those mandated by government requirements.

CERTAIN APPLICATIONS USING SEMICONDUCTOR PRODUCTS MAY INVOLVE POTENTIAL RISKS OF DEATH, PERSONAL INJURY, OR SEVERE PROPERTY OR ENVIRONMENTAL DAMAGE ("CRITICAL APPLICATIONS"). TI SEMICONDUCTOR PRODUCTS ARE NOT DESIGNED, AUTHORIZED, OR WARRANTED TO BE SUITABLE FOR USE IN LIFE-SUPPORT DEVICES OR SYSTEMS OR OTHER CRITICAL APPLICATIONS. INCLUSION OF TI PRODUCTS IN SUCH APPLICATIONS IS UNDERSTOOD TO BE FULLY AT THE CUSTOMER'S RISK.

In order to minimize risks associated with the customer's applications, adequate design and operating safeguards must be provided by the customer to minimize inherent or procedural hazards.

TI assumes no liability for applications assistance or customer product design. TI does not warrant or represent that any license, either express or implied, is granted under any patent right, copyright, mask work right, or other intellectual property right of TI covering or relating to any combination, machine, or process in which such semiconductor products or services might be or are used. TI's publication of information regarding any third party's products or services does not constitute TI's approval, warranty or endorsement thereof.