

SP8600A&B&M
250MHz ÷ 4 COUNTER

The SP8600 is a fixed ratio emitter coupled logic ÷4 counter with a specified input frequency range of 15—250 MHz. The operating temperature range is specified by the device code suffix letter: 'A' denotes -55°C to +125°C, 'B' denotes 0°C to +70°C operation, 'M' denotes -40°C to +85°C.

Intended for use with an external bias arrangement and capacitive coupling to the signal source, the SP8600 can be either single driven, or double driven with two complementary input signals.

The outputs are complementary free collectors that can have their load resistors taken to any bias voltage up to 12V more positive than V_{EE}.

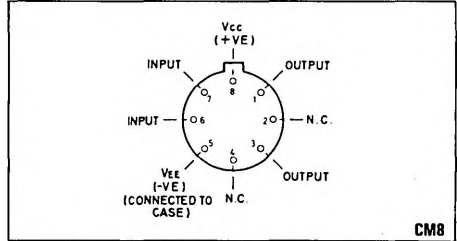


Fig. 1 Pin connections (bottom view)

FEATURES

- Low Power
- Free Collector Outputs to Interface to TTL
- 250 MHz ÷ 4 Over Full Military Temp. Range

APPLICATIONS

- Synthesizers — Mobile and Fixed
- Counters
- Timers

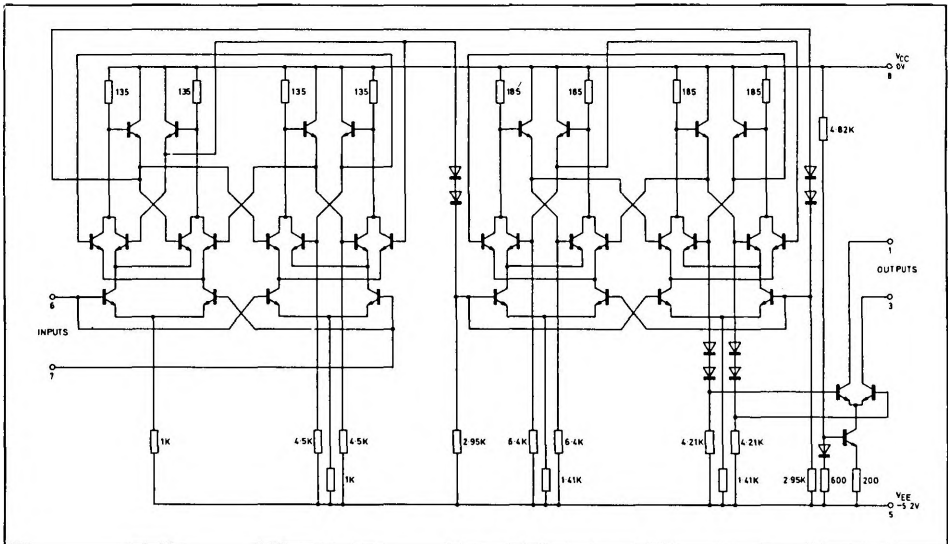


Fig. 2 Circuit diagram

SP8600

ELECTRICAL CHARACTERISTICS

Test conditions (unless otherwise stated):

T_{amb}: 'A' grade -55°C to +125°C
 'B' grade 0°C to +70°C
 'M' grade -40°C to +85°C

Supply voltage V_{CC} 400 to 800 mV p-p
 V_{EE} 250 to 800 mV p-p

Input voltage (single driven — other input decoupled to ground plane)

Input voltage (double complementary input drive)

Input bias voltage

Bias chain as in test circuit (see Fig. 3 and operating notes).

Characteristic	Value			Units	Conditions
	Min.	Typ.	Max.		
Max. input frequency	250	390*		MHz	Typical figure quoted at +25°C.
Min. input frequency with sinusoidal input			25	MHz	
Min. slew rate of square wave input for correct operation			20	V/μs	Single input drive Input f=250 MHz. V _{EE} = -5.2V, V _{BIAS} as Fig. 3.
Output current	1.6		25	mA	
Power supply drain current		16*	25	mA	

*At +25°C

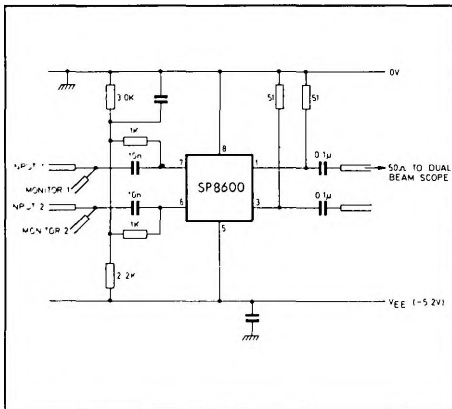


Fig. 3 Test circuit

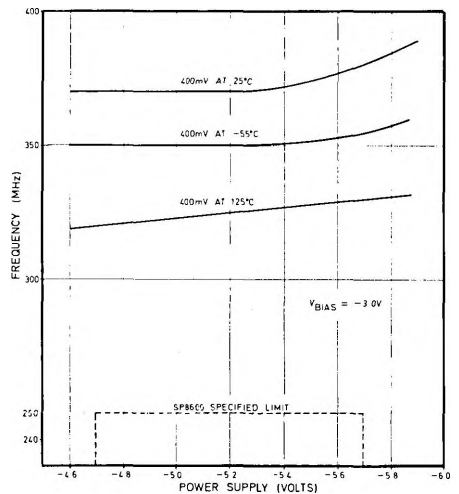


Fig. 4 Maximum input frequency v. power supply voltage (typical)

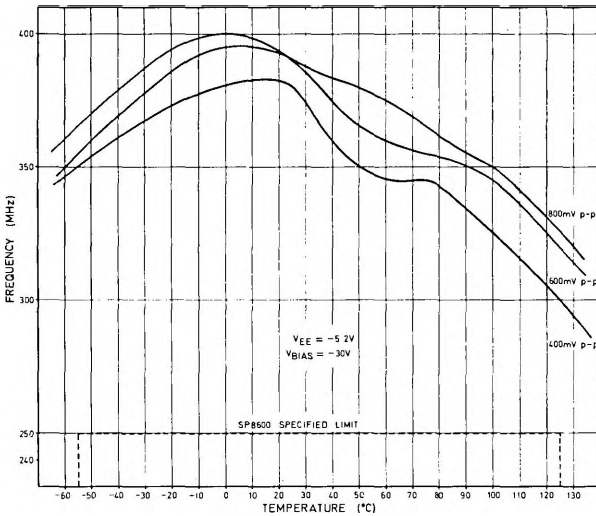


Fig. 5 Maximum input frequency v. temperature

OPERATING NOTES

The circuit performance obtained from the SP8600 is optimized if normal high frequency rules for circuit layout are obeyed — leads should be kept short, capacitors and resistors should be of non-inductive types, etc.

The signal source is normally AC coupled to one of the inputs or, if complementary signals are available, to both inputs. The inputs require an external bias chain to set the DC potential on the inputs (see Fig. 3). No appreciable change in performance is observed over a range of DC bias from -2.5V to -3.5V.

Any tendency for the circuit to self-oscillate in the absence of input signal (or when the input signal is very small) can be overcome by offsetting the two inputs by approximately 40mV, using, for example, the bias arrangement shown in Fig. 6. The input wave form may be sinusoidal, but below 25 MHz incorrect operation may occur because of the limited slew rate of the input signal. A square wave input with a slew rate greater than 20V/ μ s ensures correct operation down to DC.

The output is in the form of complementary free collectors with at least 2mA available from them. For satisfactory high frequency interfacing to ECL or Schottky TTL the circuit techniques illustrated in Fig. 7 are recommended.

For maximum frequency operation, it is essential that the output load resistor values be such that the output transistors do not saturate. If the load resistors are connected to the 0V rail, then saturation can occur with resistance values greater than 600 Ω . Of course, if the load resistors are taken to a more positive potential, then higher values can be used. N.B. If only one output is used, the other output should be connected to 0V.

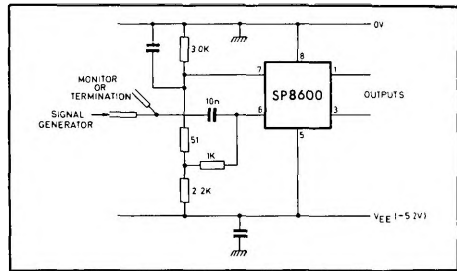


Fig. 6 Bias arrangement to prevent self-oscillation under no-signal conditions

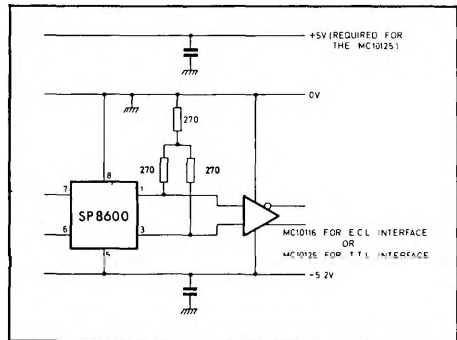


Fig. 7 ECL and Schottky TTL interfacing

SP8600

ABSOLUTE MAXIMUM RATINGS

Power supply voltage $V_{CC}-V_{EE}$	10V
Input voltage V_{IN}	Not greater than supply voltage in use
Bias voltage on o/p's $V_{OUT}-V_{EE}$	14V
Operating junction temperature	+175°C max.
Storage temperature	-55°C to +175°C