

SP8794 A,B & M

÷ 8 CONTROL CIRCUIT FOR 2 - MODULUS DIVIDERS

The SP8794 is a divide by eight counter designed for use with 2-modulus counters. It increases the minimum division ratio of the 2-modulus counter while retaining the same difference in division ratios. Thus a divide by 10 or 11 with the SP8794 becomes a divide by 80 or 81, a divide by 5 or 6 becomes a divide by 40 or 41.

The function is especially useful in low power frequency synthesisers because it can bring the output frequency of the combined 2-modulus counter and SP8794 into the region where CMOS or low power TTL can control the divider.

The device interfaces easily to the SP8000 range of 2-modulus dividers. The control I/Ps are TTL and CMOS compatible and the output is a free collector which, with the addition of a pull-up resistor, interfaces to CMOS and TTL.

The SP8794 is available over three temperature ranges: 0°C to +70°C (SP8794B), -40°C to +85°C (SP8794M) and -55°C to +125°C (SP8794A).

The SP8794 requires supplies of 0V and +5V ± 0.25V

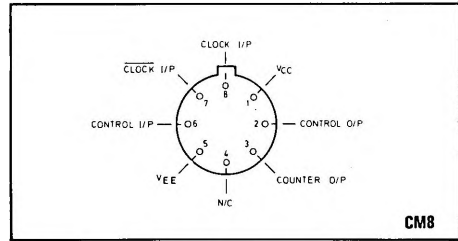


Fig. 1 Pin connections.

FEATURES

- Ultra-Low Power: 40mW
- Full Military Temperature Range
- Direct I/P & O/P Interfacing to CMOS & TTL
- Operates with 500MHz ÷ 10/11

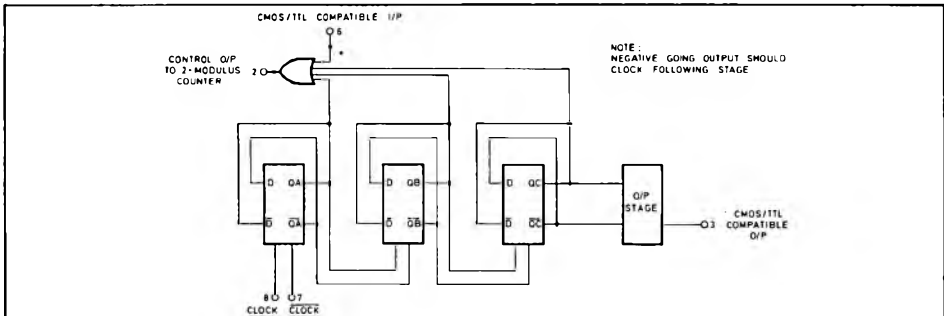


Fig. 2 Logic diagram.

ABSOLUTE MAXIMUM RATINGS

Power supply voltage V _{CC} - V _{EE}	8V
DC input voltage	Not greater than supply
AC input voltage	2.5V _{p-p}
Output bias voltage	12V
Control input bias voltage	12V
Operating junction temperature	+150°C
Storage temp. range	-55°C to 150°C

APPLICATION

- Frequency Synthesisers

ELECTRICAL CHARACTERISTICS

Test conditions (unless otherwise stated):

T_{amb}: 'A' grade -55°C to +125°C
 'B' grade 0°C to +70°C
 'M' grade -40°C to +85°C

V_{CC} = +5V ±5%

V_{EE} = 0V

Clock input voltage with double complementary drive
 to CLOCK and $\overline{\text{CLOCK}}$ = 300mV to 1V p-p.

Characteristic	Value			Units	Conditions
	Min.	Typ.	Max.		
Dynamic					
Toggle frequency	120 40			MHz MHz	SP8794 as a prescaler (see note 1) SP8794 controlling a 2-modulus divider (see note 1)
Min. toggle frequency with sinewave input			20	MHz	See note 2
Min. toggle frequency with square wave input	0			Hz	Slew rate > 50V/μs
Clock to O/P delay (O/P -ve going)		18		ns	
Clock to O/P delay (O/P +ve going)		32		ns	
Control I/P to control O/P delay (O/P -ve going)		20		ns	10kΩ pulldown on O/P, see note 5
Control I/P to control O/P delay (O/P +ve going)		10		ns	10kΩ pulldown on O/P, see note 5
Control I/P to control O/P delay (O/P -ve going)		12		ns	4.3kΩ pulldown on O/P, see note 6
Control I/P to control O/P delay (O/P +ve going)		9		ns	4.3kΩ pulldown on O/P, see note 6
Clock to control O/P delay (O/P -ve going)		30		ns	10kΩ pulldown on O/P, see note 5
Clock to control O/P delay (O/P +ve going)		16		ns	10kΩ pulldown on O/P, see note 5
Clock to control O/P delay (O/P -ve going)		21		ns	4.3kΩ pulldown on O/P, see note 6
Clock to control O/P delay (O/P +ve going)		16		ns	4.3kΩ pulldown on O/P, see note 6
Static					
Control I/P voltage level					
High state	3.5		10	V	See note 3
Low state	0		1.5	V	
Output voltage level					
V _{OL}			0.4	V	Sink current = 6.0mA
V _{OH} (see note 4)			12	V	See note 4
Input impedance		1.6		kΩ	f _{in} = 0Hz
I/P bias voltage (CLOCK & $\overline{\text{CLOCK}}$)					
Power supply drain current					

NOTES

- The maximum frequency of operation is in excess of 120MHz when the SP8794 is used as a prescaler. The limitation on its maximum operating frequency is the saturating output stage. When the SP8794 is used as a controller for a 2-modulus device its internal delays do not permit operation at frequencies above 40MHz.
- The device will normally be driven from a 2-modulus divider which will have fast output edges. Hence, there is normally no input slew rate problem.
- TTL devices require a pull-up resistor to ensure the required minimum of 3.5V. Note that the device can interface from 10V CMOS with no additional components.
- V_{OH} will be the supply voltage that the output pull-out resistor is connected to. This voltage should not exceed 12V.
- The 10kΩ pulldown is the value of the input pulldown of the SP8695, with which the SP8794 can be used.
- The 4.3kΩ pulldown is the value of the input pulldown of all the SP8640 series ÷ 10/11 devices, the SP8740 & SP8745 ÷ 5/6, the SP8741 & SP8746 ÷ 6/7 and the SP8743 ÷ 8/9, with which the SP8794 can be used.

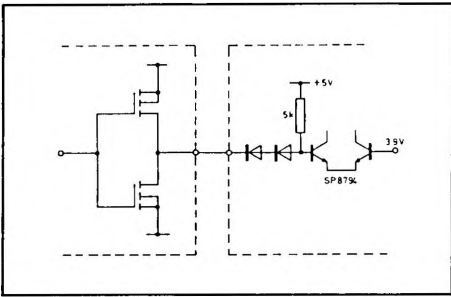


Fig. 3 CMOS and TTL compatible control I/P.

TRUTH TABLE	
Control I/P	Div. Ratio with $\div 10/11$
0	81
1	80

Max input frequency to combination = 200MHz (min.)
 Power consumption of combination = 120mWtyp.
 Time available to control the $\div 80/81$
 = 80 clock periods minus delays through dividers
 $\cong 740ns$ ($f_{in} = 100MHz$)

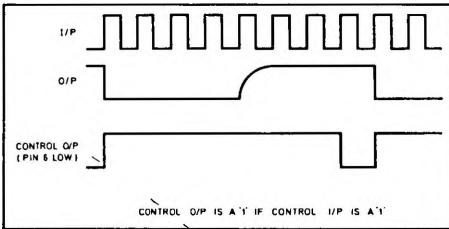


Fig. 4 SP8794 waveforms

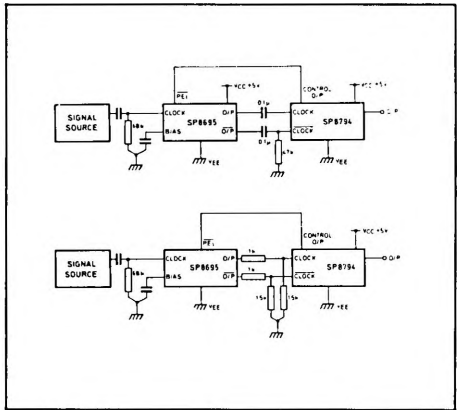


Fig. 6 Methods of preventing self-oscillation.

APPLICATION NOTES

The SP8794 extends the division ratio of 2-modulus counters while retaining the same 2-modulus resolution. A typical application to give a $\div 80/81$ function is shown in Fig. 5. In this basic form, however, the devices will self-oscillate if no input signal source is present. This may be prevented by using one of the arrangements shown in Fig. 6.

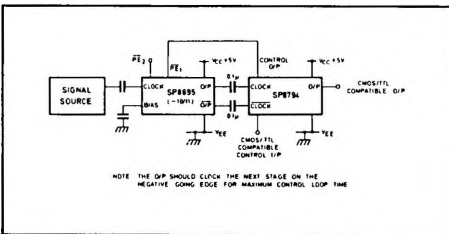


Fig. 5 SP8794 with SP8695 connected to give a low power $\div 80/81$