

SANYO	No. 4594A	STK4046V
		AF Power Amplifier (Split Power Supply) (120 W min, THD = 0.08%)

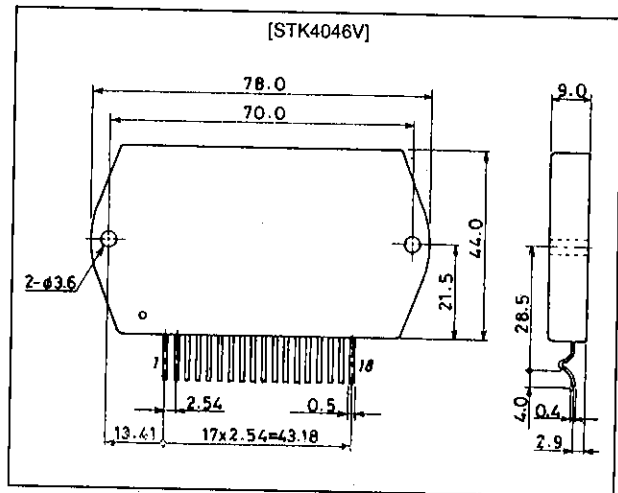
Features

- Compact packaging supports slimmer set designs.
- Series designed from 20 up to 100 W (200 W) and pin-compatibility (120 to 200 W have 18 pins.)
- Simpler heat sink design facilitates thermal design of slim stereo sets.
- Current mirror circuit application reduces distortion to 0.08%.
- Supports addition of electronic circuits for thermal shutdown and load-short protection circuit as well as pop noise muting which occurs when the power supply switch is turned on and off.

Package Dimensions

unit : mm

4051A



Specifications

Maximum Ratings at Ta = 25°C

Parameter	Symbol	Conditions	Ratings	Unit
Maximum supply voltage	V _{CC} max		±80	V
Thermal resistance	θ _{j-c}		1.3	°C/W
Junction temperature	T _j		150	°C
Operating substrate temperature	T _c		125	°C
Storage temperature	T _{stg}		-30 to +125	°C

Recommended Operating Conditions at Ta = 25°C

Parameter	Symbol	Conditions	Ratings	Unit
Recommended supply voltage	V _{CC}		±55	V
Load resistance	R _L		8	Ω

STK4046V

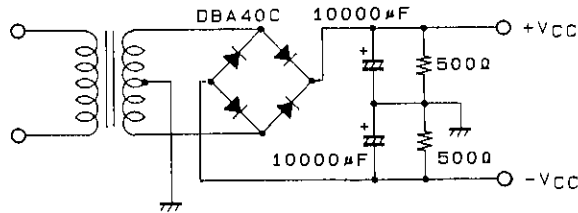
Operating Characteristics

at $T_a = 25^\circ\text{C}$, $V_{CC} = \pm 55\text{ V}$, $R_L = 8\ \Omega$ (noninductive load), $V_G = 40\text{ dB}$, $R_g = 600\ \Omega$, 100 k LPF ON

Parameter	Symbol	Conditions	min	typ	max	Unit
Quiescent current	I_{CCO}	$V_{CC} = \pm 66\text{ V}$	15		120	mA
Output power	P_O	THD = 0.08%, $f = 20\text{ Hz to } 20\text{ kHz}$	120			W
Total harmonic distortion	THD	$P_O = 1.0\text{ W}$, $f = 1\text{ kHz}$			0.08	%
Frequency response	f_L, f_H	$P_O = 1.0\text{ W}$, $+0, -3\text{ dB}$		20 to 50 k		Hz
Input resistance	r_i	$P_O = 1.0\text{ W}$, $f = 1\text{ kHz}$		55		k Ω
Output noise voltage	V_{NO}^*	$V_{CC} = \pm 66\text{ V}$, $R_g = 10\text{ k}\Omega$			1.2	mVrms
Neutral voltage	V_N	$V_{CC} = \pm 66\text{ V}$	-70	0	+70	mV

Note: Use rated power supply for test unless otherwise specified.

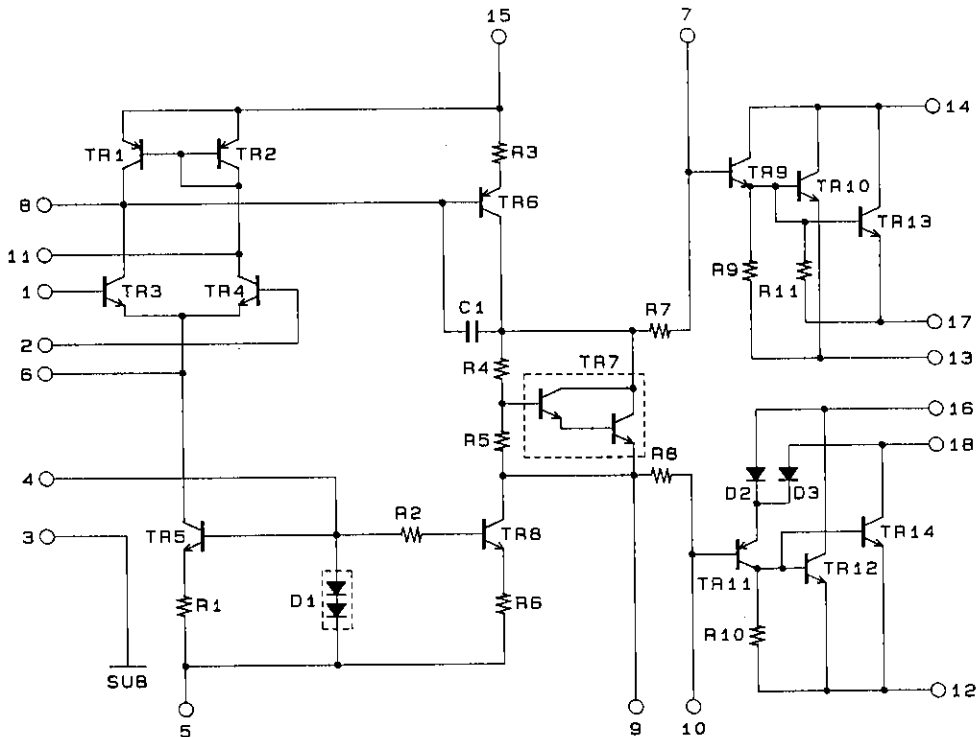
* Output noise voltage represents the peak value on the rms scale (VTVM). The noise voltage waveform does not include the pulse noise.



A01237

Specified Transformer Power Supply (MG-250 equivalent)

Equivalent Circuit



A01536

