

SANYO**STK73410II**

Thick Film Hybrid IC

Voltage Regulator for TV/VTR Use

TENTATIVE

Case Outline : 9 pins (See attached case outline drawing.)

Function : Off-line switching regulator

Use : Voltage regulator for color TV / VTR use

Feature : Self-oscillation type

Maximum Ratings at $T_a = 25^\circ\text{C}$

			unit
AC Input Voltage	V_{AC}	0 to 280	Vrms
Maximum Output Power	$W_o \text{ max}$	100	W
Operating Temperature	T_{opg}	-10 to +65	$^\circ\text{C}$
Storage Temperature	T_{stg}	-30 to +105	$^\circ\text{C}$
Operating Case Temperature	$T_c \text{ max}$	105	$^\circ\text{C}$
Thermal Resistance	θ_{j-c}	1.3	$^\circ\text{C/W}$
Junction Temperature	$T_j \text{ max}$	150	$^\circ\text{C}$

Electrical Characteristics at $T_a = 25^\circ\text{C}$, Values shown below are measured using specified Test Circuit.

		min	typ	max	unit
Output Voltage Setting	$V_{AC} = 200\text{V}, I_O = 0.5\text{A}$	114	115	116	V
Line Regulation	$V_{AC} = 170 \text{ to } 280\text{V}, I_O = 0.5\text{A}$		0.4	1.0	V
Load Regulation	$V_{AC} = 200\text{V}, I_O = 0.4\text{A to } 0.87\text{A}$		1.5	2.0	V
Input Power	$V_{AC} = 200\text{V}, I_O = 0.87\text{A}$		102	105	W
Output Ripple Voltage	$V_{AC} = 200\text{V}, I_O = 0.87\text{A}$		0.4	0.6	Vpp
Temperature Coefficient	$V_{AC} = 200\text{V}, I_O = 0.87\text{A}$		7		mV/ $^\circ\text{C}$
Reduced Voltage Characteristic	$V_{AC} = 170\text{V}, I_O = 0.87\text{A}$	111.0	112.5		V
Light Load Characteristic	$V_{AC} = 200\text{V}, R_L = 4.7\text{k}\Omega$		125	135	V

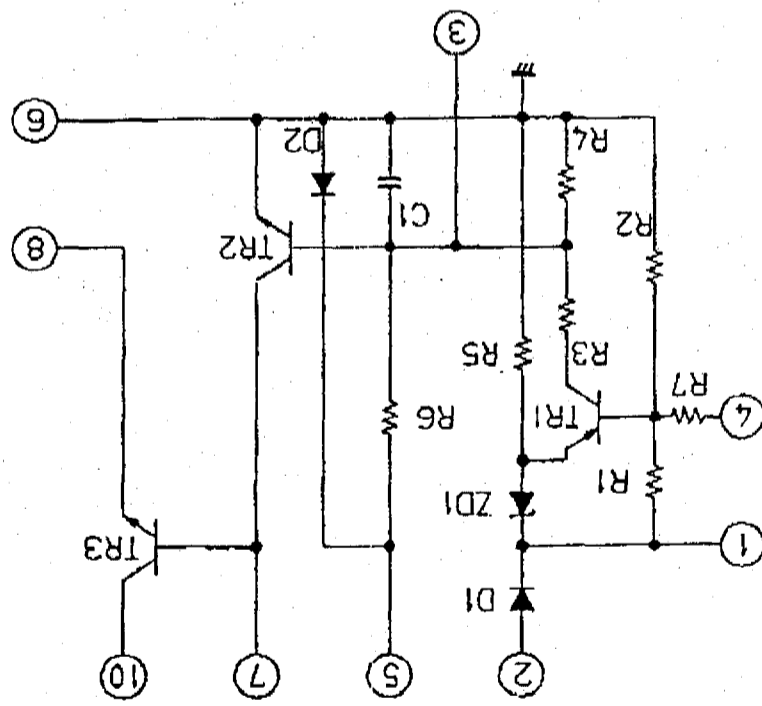
Specifications and information herein are subject to change without notice.

SANYO Electric Co., Ltd. Semiconductor Overseas Marketing Div.

Natsume Bldg., 18-6, 2-chome, Yushima, Bunkyo-ku, TOKYO 113 JAPAN

52681A,TS STK73410II-1/4

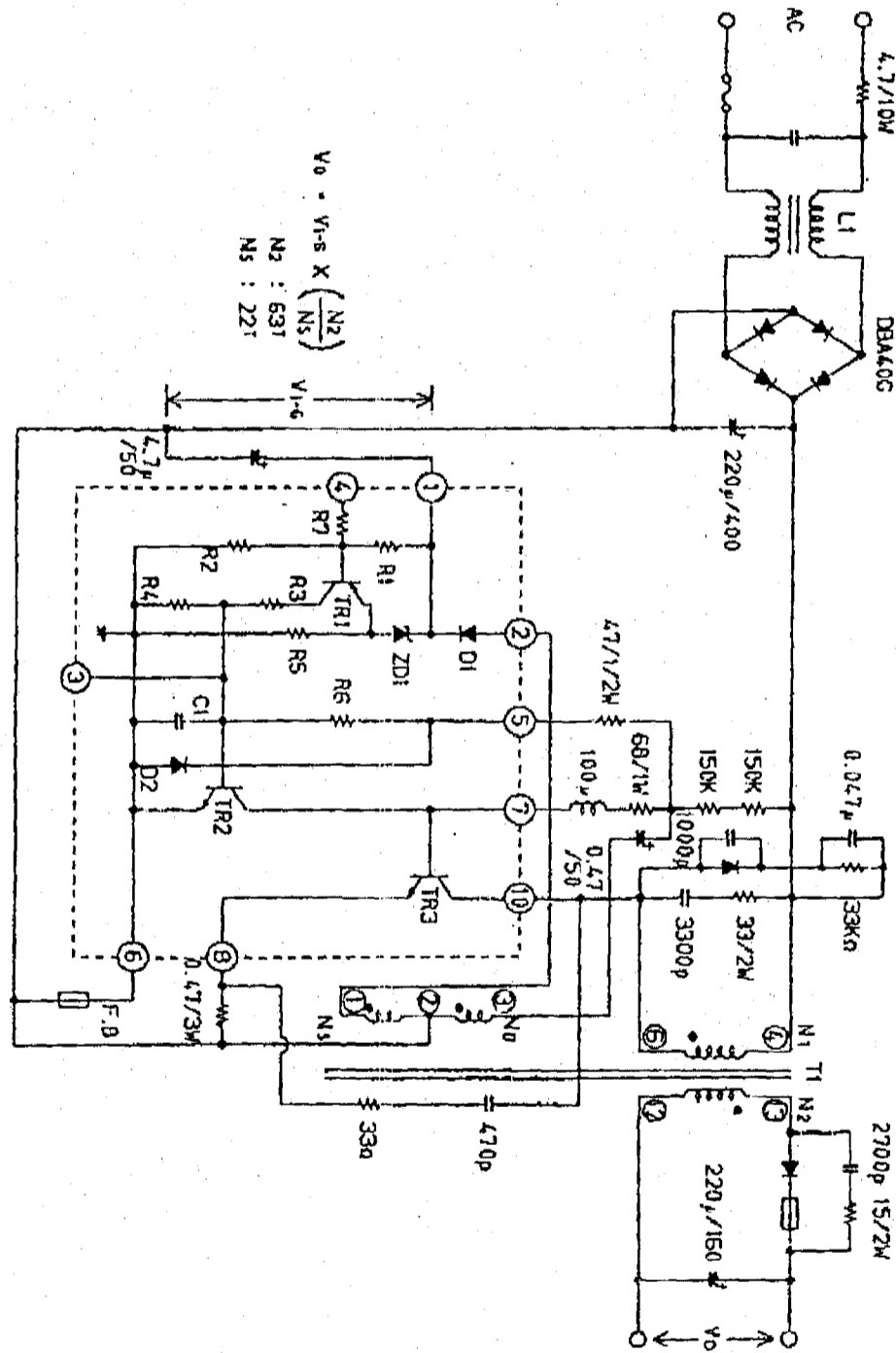
STK73410II-2/4



Internal Equivalent Circuit (STK73410II)

STK73410II

STK7341011-3/4

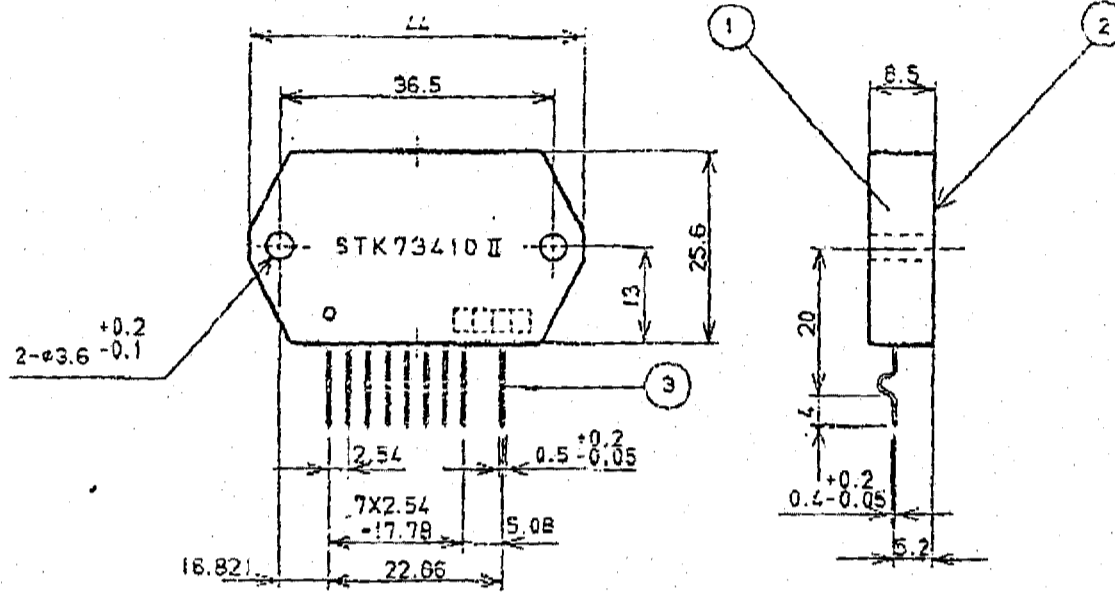


Application Circuit for 200V AC Input Voltage (STK7341011)

STK7341011

STK73410II

Case Outline
(unit: mm)



The application circuit diagrams and circuit constants herein are included as an example and provide no guarantee for designing equipment to be mass-produced. The information herein is believed to be accurate and reliable. However, no responsibility is assumed by SANYO for its use, nor for any infringements of patents or other rights of third parties which may result from its use.

STK73410II-4/4