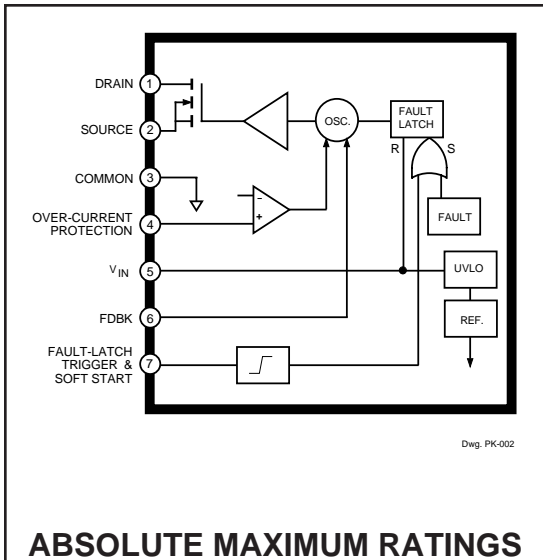


STR-M6511

OFF-LINE SWITCHING REGULATOR - WITH POWER MOSFET OUTPUT



ABSOLUTE MAXIMUM RATINGS

Supply Voltage, V_{IN}	35 V
Drain-Source Voltage, V_{DS}	450 V
Continuous Drain Current, I_D	11 A
1 ms Single-Pulse Drain Current, I_{DM}	40 A
Single-Pulse Avalanche Energy, E_A	400 mJ
Soft-Start/Fault-Latch Trigger Voltage, $V_{SS/FL}$	10 V
Feedback Input Current, I_{FDBK}	20 mA
Over-Current Protection Voltage, V_{OCP}	3.5 V
Insulation Voltage, $V_{WM(RMS)}$	2000 V
Package Power Diss., P_D	See Graph
FET Junction Temperature, T_J	+150°C
Internal Frame Temperature, T_F ...	+125°C
Operating Temperature Range, T_A	-20°C to +125°C
Storage Temperature Range, T_{stg}	-40°C to +125°C

The STR-M6511 is specifically designed to meet the requirement for increased integration and reliability in off-line flyback converters operating in the quasi-resonant ringing choke mode. The device incorporates the primary control and drive circuit with a discrete avalanche-rated power MOSFET.

Crucial system parameters such as maximum ON time and OFF time are fixed during manufacture. Local control circuit decoupling and layout are optimized within the device.

Cycle-by-cycle current limiting, soft start, under-voltage lock-out with hysteresis, over-voltage protection, and thermal shutdown protect the devices during all normal and overload conditions. Over-voltage protection, thermal shutdown, or an external fault signal are latched. The dual requirements of dielectric isolation and low transient thermal impedance and steady-state thermal resistance are satisfied in an over-molded single-in-line power package.

Proven in substantial volumes, this device and its fixed-frequency counterparts represents a significant advance in off-line SMPS reliability growth and integration. A similar off-line switching regulator, with an output rating of 800 V at 10 A, is also available.

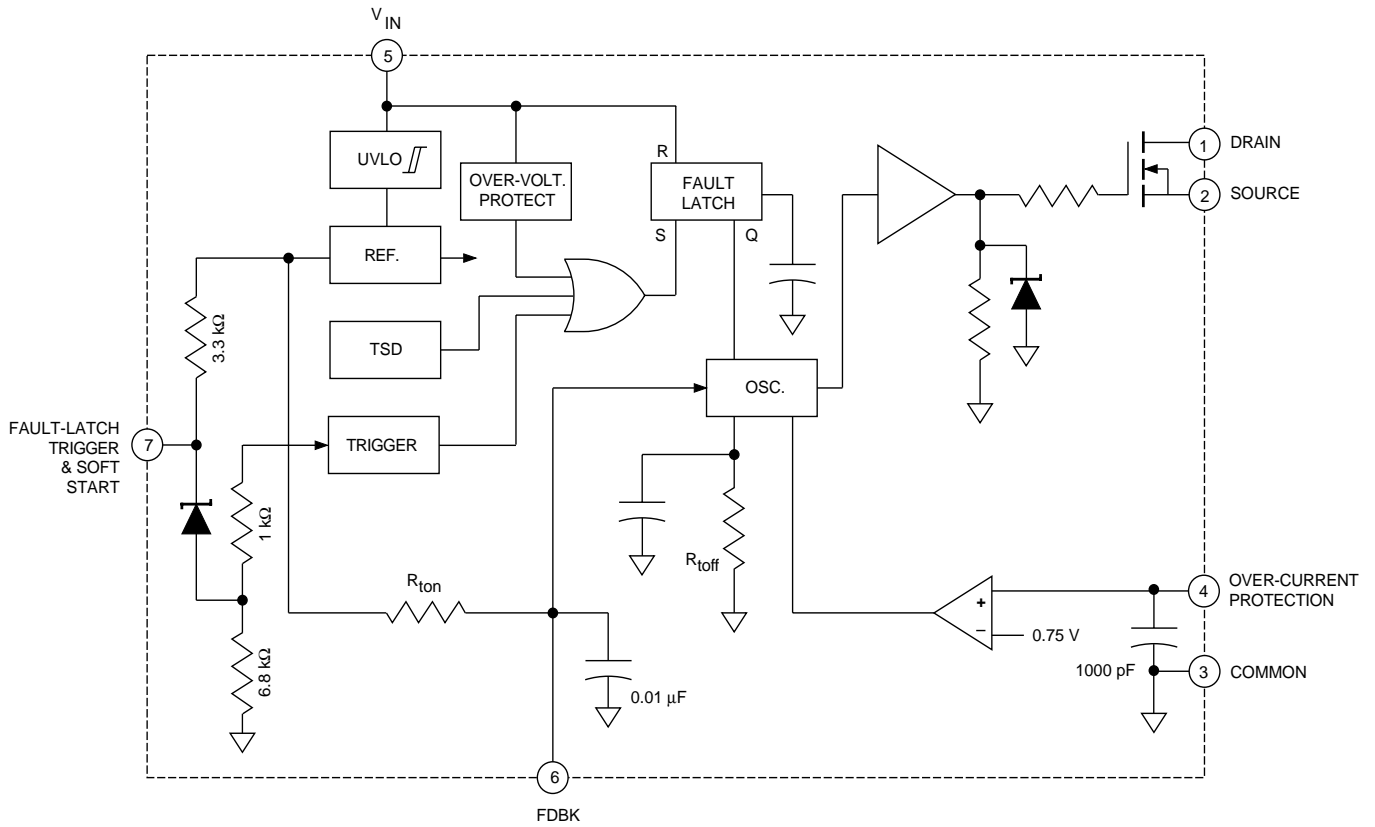
FEATURES

- Quasi-Resonant Ringing Choke Converter
- Avalanche-Rated Power MOSFET Switch
- Pulse-by-Pulse Current Limiting
- Latched Over-Voltage and Thermal Protection
- Maximum ON Time and OFF Time Set During Manufacture
- Internal Under-Voltage Lockout with Hysteresis
- Over-Molded SIP with Integral Isolated Heat Spreader

Always order by complete part number: **STR-M6511** .

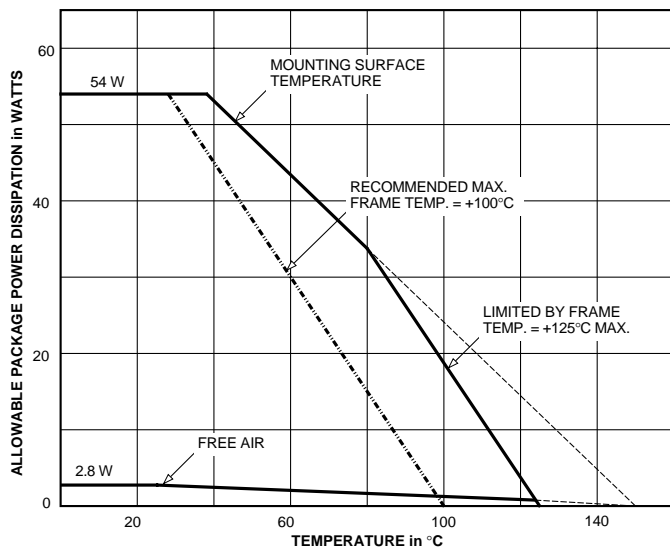
STR-M6511 OFF-LINE SWITCHING REGULATOR

FUNCTIONAL BLOCK DIAGRAM



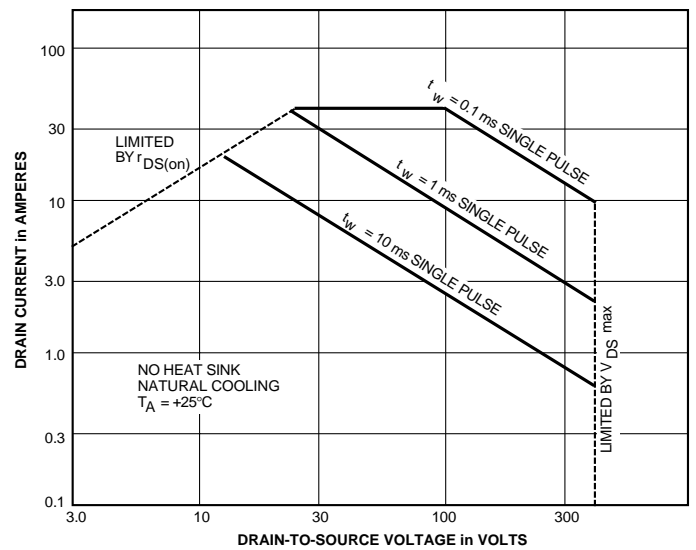
Dwg. FK-002

ALLOWABLE PACKAGE POWER DISSIPATION



Dwg. GK-003-1

MAXIMUM SAFE OPERATING AREA



Dwg. GK-004-2

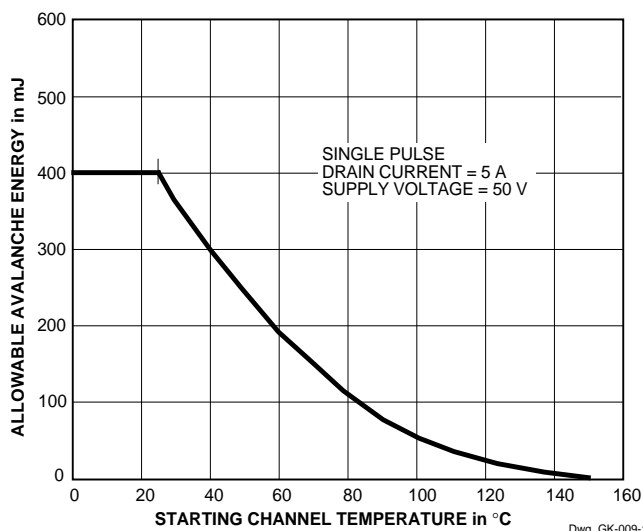


115 Northeast Cutoff, Box 15036
Worcester, Massachusetts 01615-0036 (508) 853-5000
Copyright © 1994 Allegro MicroSystems, Inc.

STR-M6511

OFF-LINE SWITCHING REGULATOR

ALLOWABLE AVALANCHE ENERGY



ELECTRICAL CHARACTERISTICS at $T_A = +25^\circ\text{C}$, $V_{IN} = 18\text{ V}$, voltage measurements are referenced to Common (pin 3) (unless otherwise noted).

Characteristic	Symbol	Test Conditions	Limits			
			Min.	Typ.	Max.	Units
On-State Voltage	V_{INT}	Turn-on, increasing V_{IN}	14.4	–	17.6	V
Under-Voltage Lockout	V_{INQ}	Turn-off, decreasing V_{IN}	9.0	–	11	V
Over-Voltage Threshold	$V_{OVP(th)}$		26	–	31	V
FET Leakage Current	I_{DSS}	$V_{DS} = 450\text{ V}$	–	–	300	μA
FET ON Resistance	$r_{DS(on)}$	$V_{GS} = 10\text{ V}$, $I_D = 5\text{ A}$	–	0.45	0.55	Ω
Output Fall Time	t_f	$V_{DD} = 200\text{ V}$, $I_D = 5\text{ A}$, 10% to 90% V_{DS}	–	–	250	ns
Maximum ON Time	t_{on}		18	–	22	μs
Minimum OFF Time	t_{off}		0.6	–	1.6	μs
Over-Current Threshold	$V_{OCP(th)}$		700	–	800	mV
Feedback Threshold Volt.	$V_{FDBK(th)}$		–	750	–	mV
Soft-Start Current	I_{SS}	$V_{SS} = 0\text{ V}$	-2.2	–	-3.4	mA
Fault-Latch Threshold Volt.	$V_{FL(th)}$		6.9	–	7.7	V
Fault-Latch Holding Current	I_{INH}	V_{IN} reduced from 31 V to 8.5 V	–	340	400	μA
Fault-Latch Reset Voltage	V_{INQ}	$I_{IN} < 20\ \mu\text{A}$, V_{IN} reduced from 31 V	6.5	–	8.5	V
Insulation RMS Voltage	$V_{WM(RMS)}$	All terminals simultaneous reference metal plate against backside	2000	–	–	V
Supply Current	$I_{IN(ON)}$	Operating	18	–	28	mA
	$I_{IN(OFF)}$	Start up, $V_{IN} \leq 14\text{ V}$	–	–	100	μA
Thermal Shutdown	T_J		125	150	–	$^\circ\text{C}$
Thermal Resistance	$R_{\theta JM}$	FET junction to mounting surface	–	2.0	–	$^\circ\text{C/W}$

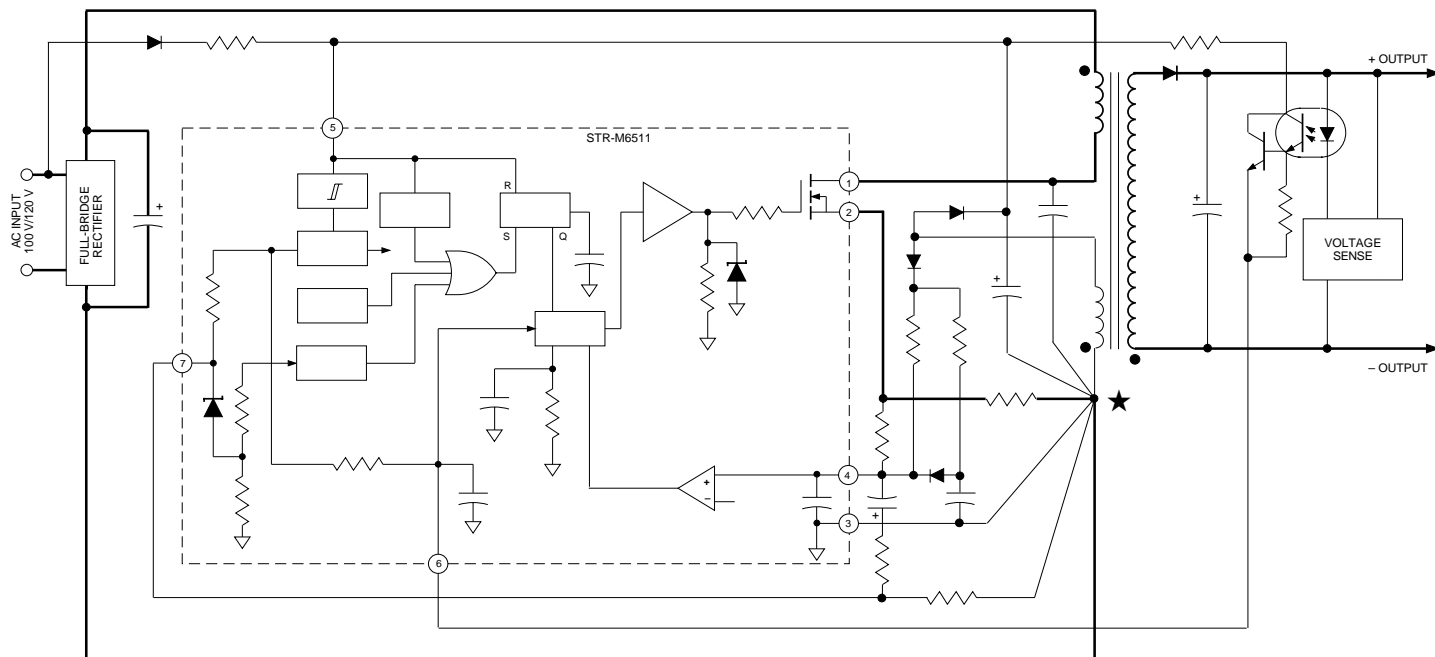
NOTES: Negative current is defined as coming out of (sourcing) the specified device terminal.
Typical Data is for design information only.

STR-M6511

OFF-LINE SWITCHING REGULATOR

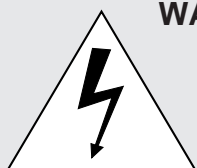
TYPICAL APPLICATION

WARNING: lethal potentials are present. See text.



Dwg. EK-002

APPLICATIONS INFORMATION



WARNING — These devices are designed to be operated at lethal voltages and energy levels. Circuit designs that embody these components must conform with applicable safety requirements. Precautions must be taken to prevent accidental contact with power-line potentials. Do not connect grounded test equipment. The use of an isolation transformer is recommended during circuit development and breadboarding.

The power MOSFET outputs of these devices are similar to the International Rectifier type IRFP448. These devices feature an excellent combination of fast switching, ruggedized device design, low on-resistance, and cost effectiveness.

Recommended mounting hardware torque:

4.34 – 5.79 lbf•ft (6 – 8 kg•cm or 0.588 – 0.784 Nm).

Recommended metal-oxide-filled, alkyl-degenerated oil base, silicone grease:

Dow Corning 340, or equivalent

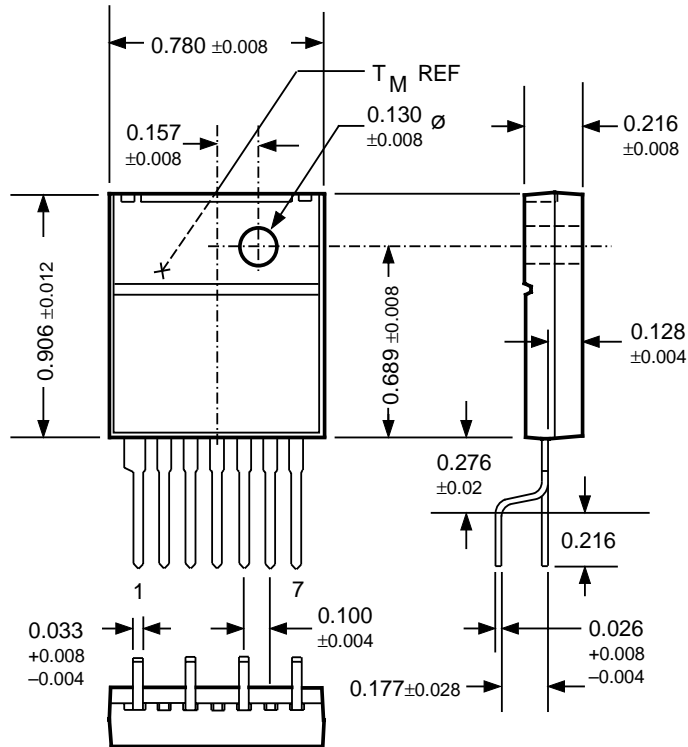


115 Northeast Cutoff, Box 15036
Worcester, Massachusetts 01615-0036 (508) 853-5000

STR-M6511

OFF-LINE SWITCHING REGULATOR

Dimensions in Inches
(Based on 1 mm = 0.03937")



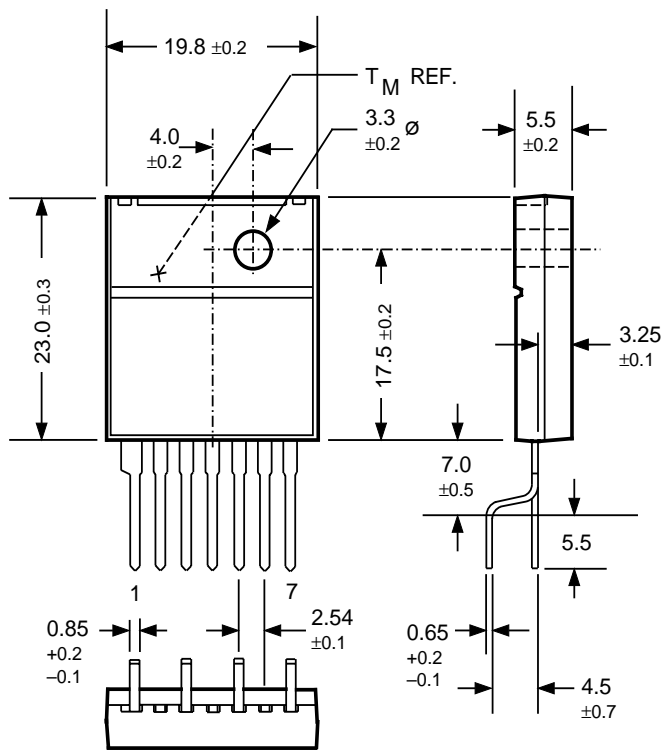
Dwg. MK-003-7 in

NOTE: Exact body and lead configuration at vendor's option within limits shown.

STR-M6511

OFF-LINE SWITCHING REGULATOR

Dimensions in Millimeters



Dwg. MK-003-7 mm

Allegro MicroSystems, Inc. reserves the right to make, from time to time, such departures from the detail specifications as may be required to permit improvements in the design of its products. Components made under military approvals will be in accordance with the approval requirements.

The information included herein is believed to be accurate and reliable. However, Allegro MicroSystems, Inc. assumes no responsibility for its use; nor for any infringements of patents or other rights of third parties which may result from its use.

NOTE: Exact body and lead configuration at vendor's option within limits shown.



115 Northeast Cutoff, Box 15036
Worcester, Massachusetts 01615-0036 (508) 853-5000