

Quad PWM Relay Driver

FEATURES

- Maintains Constant Average Relay Voltage With Varying Supply Voltages
- VBUS Voltages up to 42.5V
- Up to 50mA per Relay
- Integrated Schottky Flyback Diodes
- Individual Relay Control Inputs
- Short Circuit Protection
- User Selectable Operating Center Frequency and Relay Voltage
- Global Reset

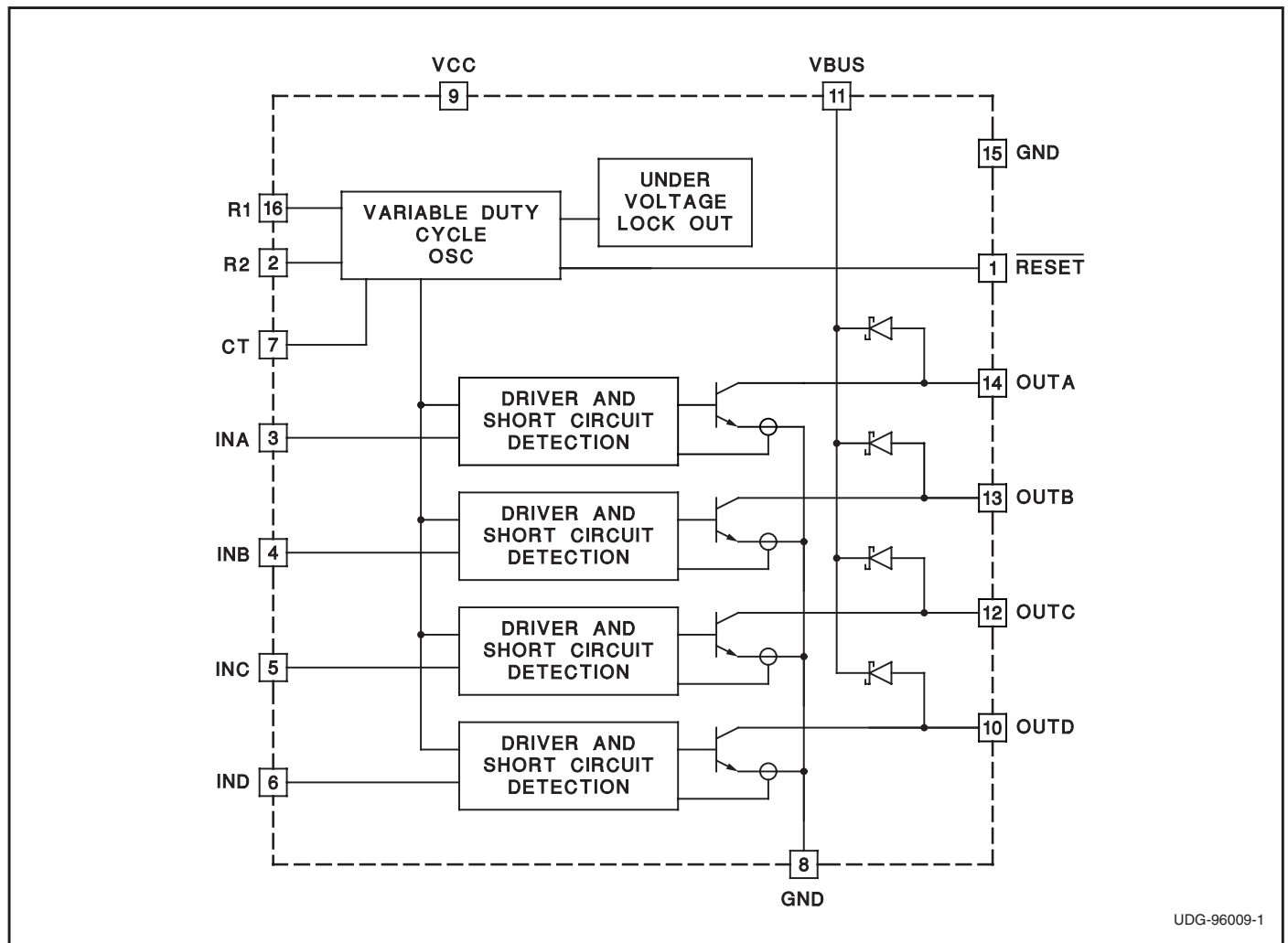
DESCRIPTION

The UC3702 Quad Relay Driver is intended to drive up to four relays from logic inputs using an unregulated relay voltage supply. The relays are driven from the Bus supply in a power efficient PWM converter fashion. The relay coil is used as the inductive element. (See the application's section concerning the relay selection.) VBUS must be higher than the rated relay voltage. Short circuit protection is provided on chip with periodic retry.

The UC3702 requires a +5V logic supply as a reference. Two external resistors program the effective relay voltage and a capacitor sets the nominal operating frequency. Internal Schottky diodes eliminate the need for any external power components.

In typical applications, the UC3702 grants the user the flexibility to choose the most cost effective relay without the added burden of generating a separate relay supply voltage. The UC3702 will even function with a poorly regulated supply VBUS, containing significant 100Hz or 120Hz ripple.

BLOCK DIAGRAM



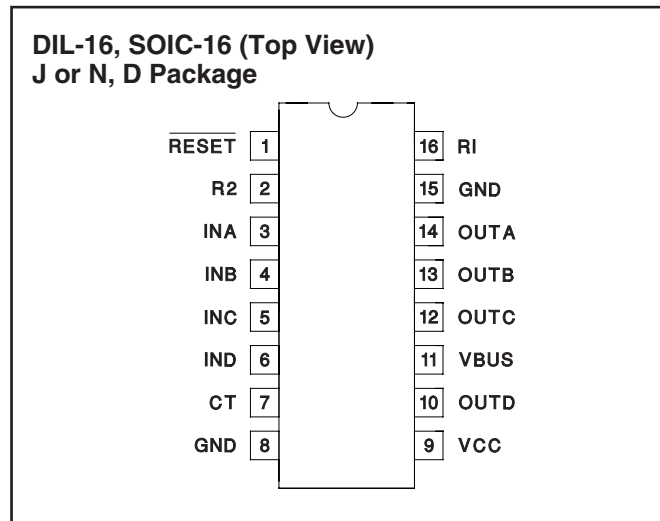
UDG-96009-1

ABSOLUTE MAXIMUM RATINGS

VBUS	+50V
VCC	+9V
Input Voltage	-0.3V to VCC + 0.3V
Average Current per Relay	50mA
Total Output Capacitance	25pF
Storage Temperature	-65°C to +150°C
Junction Temperature	-55°C to +150°C
Lead Temperature (Soldering, 10 sec.)	+300°C

Currents are positive into, negative out of the specified terminal. Consult Packaging Section of Databook for thermal limitations and considerations of packages.

CONNECTION DIAGRAM



ELECTRICAL CHARACTERISTICS: Unless otherwise stated these specifications apply for $T_A = -55^\circ\text{C}$ to $+125^\circ\text{C}$ for UC1702; -25°C to $+85^\circ\text{C}$ for UC2702; 0°C to $+70^\circ\text{C}$ for UC3702; $\text{VBUS} = 34\text{V}$, $\text{VCC} = 5\text{V}$, $\text{RESET} = \text{VCC}$, $\text{R2} = 43.2\text{k}\Omega$; $\text{R1} = 203\text{k}\Omega$; $\text{CT} = 220\text{pF}$, $T_A = T_J$.

PARAMETER	TEST CONDITIONS	MIN	TYP	MAX	UNITS
Supply Voltage Section					
VCC		4.5	5	8	V
VCC Supply Current	RESET, INA, INB, INC, IND = VCC		4	6	mA
VBUS				42.5	V
Oscillator Section					
NOMINAL Operating Frequency	R1 = 203k Ω , R2 = 43.2k Ω , CT = 220pF	150	175	200	kHz
R1		100	202	500	k Ω
R2		20	42.5	80	k Ω
CT		100			pF
Output Driver VBUS = 20V					
Rated Relay Current				50	mA
Short Circuit Current		100	175		mA
Diode Leakage Current	Control Input Low, $V_{\text{OUTX}} = \text{VBUS}$		0.05	5	μA
Diode Forward Voltage			500		mV
Averaged Output Voltage Error	UC2702, UC3702 (Note 1)	-10		10	%
	UC1702	-20		20	%
Control Inputs (INA, INB, INC, IND)					
Logic Low				0.5	V
Logic High		3		VCC	V
TON / TOFF Delay				250	ns
Input Current		-1	0	1	μA
Input Current	$V_{\text{IN}} = 5\text{V}$		70	120	μA
RESET					
TON / TOFF Delay				2	μs
Input Current	$V_{\text{IN}} = 0.3\text{V}$	-8	-5		μA
Input Current	$V_{\text{IN}} = 5\text{V}$	-10	0	10	μA

Note 1: Programmed Average Voltage = $\frac{1.06 \cdot \text{R1} \cdot \text{VCC}}{2 \cdot \text{R2}} - 400\text{mV}$

PIN DESCRIPTIONS

CT: A capacitor from the CT pin to ground sets the oscillator center frequency. Note that the oscillator period must be least an order of magnitude less than the relaxation time constant (L/R) of the relay coil. However, a needlessly high operating frequency only increases power dissipation. For best accuracy, CT should be 220pF or greater.

GND: Both ground pins must be connected to a low noise system ground.

INA, INB, INC, IND: Separate digital control inputs for each of the four relay drivers. An active high input (a logic high) turns on the respective relay. Active low disables the common-emitter drive transistor.

OUTA, OUTB, OUTC, OUTD: Each of these output pins can be connected to the low side of one relay coil. The rated relay coil voltage of all relays to be driven by a single UC3702 must be the same. (It is permissible to use coils with different rated series resistances with a single UC3702, so long as the rated coil voltages are the same and care is taken with respect to the relaxation times of the different relay coils). Output transients are slew rate limited to decrease electro-magnetic radiation.

R1: User selected external resistor must be placed from the R1 pin to the VBUS voltage supply. Sensing the

VBUS amplitude, the oscillator varies its ON duty cycle such that the average voltage across the driver coil is constant.

R2: User selected external resistor must be placed from R2 pin to GND. This resistor, in conjunction with the external timing capacitor, CT, sets the OFF cycle time of the oscillator. For best accuracy, use 42.3kΩ for R2.

RESET: Digital reset pin is active low. When RESET is low, the oscillator stops running and all drivers are open collector.

VCC: Nominally 5V. In addition to supplying the voltage for the driver logic and oscillator circuit, the VCC supply is used as reference for the generating the average relay voltage. It is recommended that the VCC be regulated to ±5% of its nominal value or better to insure good regulation. Good decoupling with a minimum of 1μF is necessary.

VBUS: This pin should be tied to a low impedance voltage source at some voltage higher than the rated voltage of the relay coil to be driven. VBUS may even be a poorly filtered rectified sin wave, as the UC3702 will regulate the correct duty cycle. Good decoupling with a minimum of 1μF is necessary.

APPLICATIONS INFORMATION

The UC3702 must be programmed for a specific relay voltage. The table given below has some suggested val-

Rated Relay Voltage	R1	R2	CT
9V	153kΩ	43.2kΩ	220pF
12V	203kΩ	43.2kΩ	220pF
24V	398kΩ	43.2kΩ	220pF

ues of R1, R2, and CT. The VCC supply voltage is assumed to be 5V.

More generally, the following equation can be used to determine the equivalent average relay voltage:

$$V_{RELAY} = \frac{1.06 \cdot VCC \cdot R1}{2 \cdot R2} - 400mV$$

Industrial Relays

The UC3702 takes advantage of the inductance of the relay coil to regulate a constant coil current in a manner very similar to a switch-mode power supply. To use the UC3702 correctly, the coil characteristics must be known. The rated relay voltage is what the relay manufacturers specify as voltage to drive the relay coil with if the coil were driven from a dc source. Most manufacturers also specify the series resistance of the coil. This is the resistance of the copper wire and determines the steady state coil ON current. For example, a 12V relay with a 320Ω series coil resistance with a draw of 37.5mA of constant current. The relay inductance is not typically specified in the manufacturer's short-form datasheet, so the engineer will need an LCR bridge to measure it or request the information from the relay manufacturer.

APPLICATIONS INFORMATION (cont.)

Although the inductance may not be specified in the relay datasheet, it is very repeatable since it is determined by the number of turns and geometry of the relay.

The relay's coil inductance divided by its series resistance is the relay coil's relaxation time constant. It is important that the relaxation time constant be at least an order of magnitude longer than the nominal switching period of the UC3702 to obtain a constant current through the relay coil. This means that some relays may be ill-suited for use with the UC3702.

For example, a common 12V industrial relay has a series resistance of 500Ω and a coil inductance of 500mH. Its relaxation time constant is 1ms, an order of magnitude less than the period of a 10kHz oscillator.

When performing an engineering evaluation of the UC3702 in a system, it is useful to have a current probe. Alternately, a 1Ω resistor can be placed in series with the relay coil in the prototype and differential voltage probes

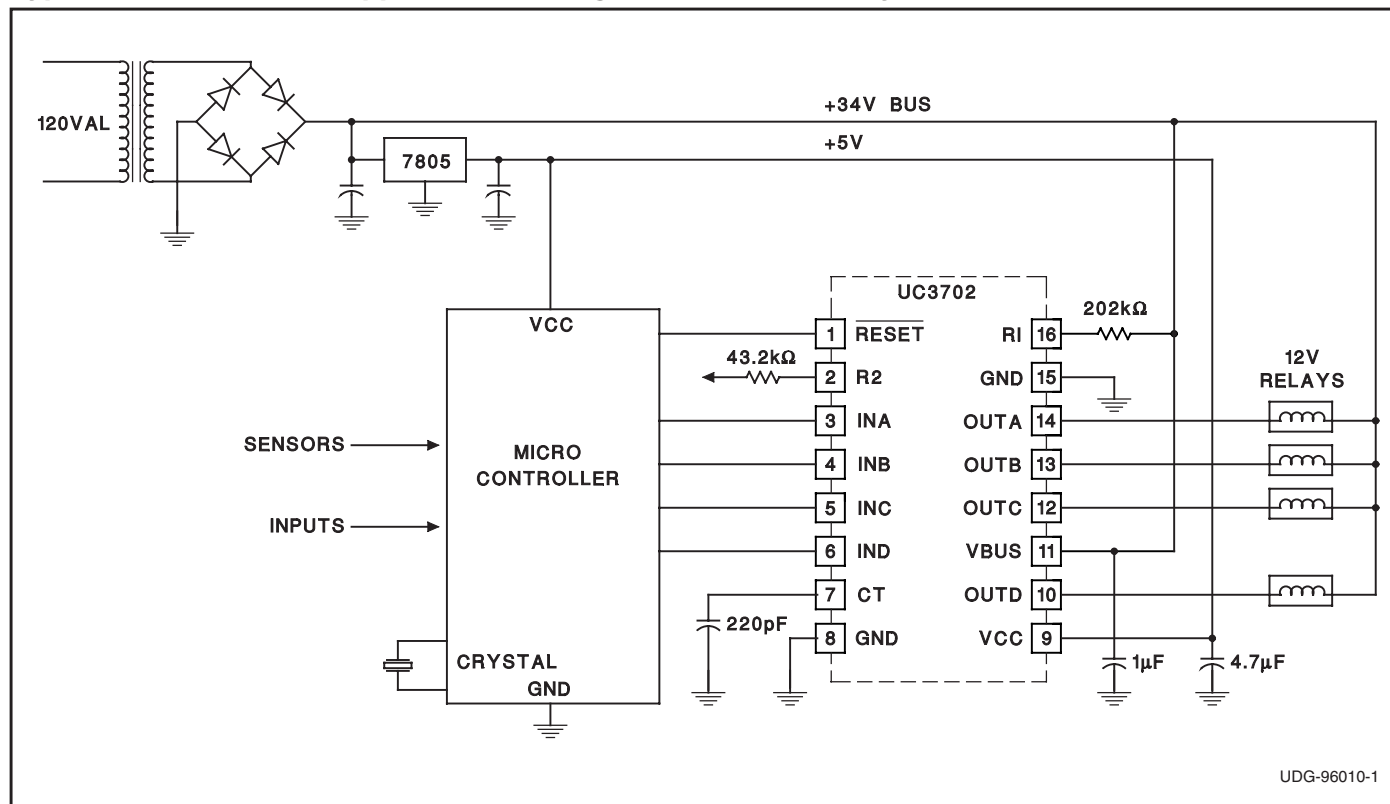
can be used to observe the coil current. (Do not use a large series resistor, as this will impact observed relaxation time constant.)

Layout Considerations

The layout of the printed circuit board and good decoupling of the power supplies is critical to proper operation of the UC3702. For best results, high quality 4.7μF tantalum capacitors should be placed as close as possible to the VCC and the VBUS pins.

In addition to decoupling considerations, the R1 and R2 pins are sensitive to capacitive coupling from any of the driver outputs (OUTA - D) which can slew at speeds of 300V/μs. The external resistors R1 and R2 should be placed as close as possible to their respective pins. Avoid routing the outputs directly past these pins without a low impedance trace (such as GND, VCC, or VBUS) in between to act as a capacitive shield.

Typical Microcontroller Application Driving 12V Industrial Relays



PACKAGING INFORMATION

Orderable Device	Status ⁽¹⁾	Package Type	Package Drawing	Pins	Package Qty	Eco Plan ⁽²⁾	Lead/Ball Finish	MSL Peak Temp ⁽³⁾
UC2702D	NRND	SOIC	D	16		TBD	Call TI	Call TI
UC2702DTR	NRND	SOIC	D	16		TBD	Call TI	Call TI
UC3702D	NRND	SOIC	D	16		TBD	Call TI	Call TI
UC3702N	NRND	PDIP	N	16		TBD	Call TI	Call TI

⁽¹⁾ The marketing status values are defined as follows:

ACTIVE: Product device recommended for new designs.

LIFEBUY: TI has announced that the device will be discontinued, and a lifetime-buy period is in effect.

NRND: Not recommended for new designs. Device is in production to support existing customers, but TI does not recommend using this part in a new design.

PREVIEW: Device has been announced but is not in production. Samples may or may not be available.

OBSOLETE: TI has discontinued the production of the device.

⁽²⁾ Eco Plan - The planned eco-friendly classification: Pb-Free (RoHS), Pb-Free (RoHS Exempt), or Green (RoHS & no Sb/Br) - please check <http://www.ti.com/productcontent> for the latest availability information and additional product content details.

TBD: The Pb-Free/Green conversion plan has not been defined.

Pb-Free (RoHS): TI's terms "Lead-Free" or "Pb-Free" mean semiconductor products that are compatible with the current RoHS requirements for all 6 substances, including the requirement that lead not exceed 0.1% by weight in homogeneous materials. Where designed to be soldered at high temperatures, TI Pb-Free products are suitable for use in specified lead-free processes.

Pb-Free (RoHS Exempt): This component has a RoHS exemption for either 1) lead-based flip-chip solder bumps used between the die and package, or 2) lead-based die adhesive used between the die and leadframe. The component is otherwise considered Pb-Free (RoHS compatible) as defined above.

Green (RoHS & no Sb/Br): TI defines "Green" to mean Pb-Free (RoHS compatible), and free of Bromine (Br) and Antimony (Sb) based flame retardants (Br or Sb do not exceed 0.1% by weight in homogeneous material)

⁽³⁾ MSL, Peak Temp. -- The Moisture Sensitivity Level rating according to the JEDEC industry standard classifications, and peak solder temperature.

Important Information and Disclaimer:The information provided on this page represents TI's knowledge and belief as of the date that it is provided. TI bases its knowledge and belief on information provided by third parties, and makes no representation or warranty as to the accuracy of such information. Efforts are underway to better integrate information from third parties. TI has taken and continues to take reasonable steps to provide representative and accurate information but may not have conducted destructive testing or chemical analysis on incoming materials and chemicals. TI and TI suppliers consider certain information to be proprietary, and thus CAS numbers and other limited information may not be available for release.

In no event shall TI's liability arising out of such information exceed the total purchase price of the TI part(s) at issue in this document sold by TI to Customer on an annual basis.

IMPORTANT NOTICE

Texas Instruments Incorporated and its subsidiaries (TI) reserve the right to make corrections, modifications, enhancements, improvements, and other changes to its products and services at any time and to discontinue any product or service without notice. Customers should obtain the latest relevant information before placing orders and should verify that such information is current and complete. All products are sold subject to TI's terms and conditions of sale supplied at the time of order acknowledgment.

TI warrants performance of its hardware products to the specifications applicable at the time of sale in accordance with TI's standard warranty. Testing and other quality control techniques are used to the extent TI deems necessary to support this warranty. Except where mandated by government requirements, testing of all parameters of each product is not necessarily performed.

TI assumes no liability for applications assistance or customer product design. Customers are responsible for their products and applications using TI components. To minimize the risks associated with customer products and applications, customers should provide adequate design and operating safeguards.

TI does not warrant or represent that any license, either express or implied, is granted under any TI patent right, copyright, mask work right, or other TI intellectual property right relating to any combination, machine, or process in which TI products or services are used. Information published by TI regarding third-party products or services does not constitute a license from TI to use such products or services or a warranty or endorsement thereof. Use of such information may require a license from a third party under the patents or other intellectual property of the third party, or a license from TI under the patents or other intellectual property of TI.

Reproduction of TI information in TI data books or data sheets is permissible only if reproduction is without alteration and is accompanied by all associated warranties, conditions, limitations, and notices. Reproduction of this information with alteration is an unfair and deceptive business practice. TI is not responsible or liable for such altered documentation. Information of third parties may be subject to additional restrictions.

Resale of TI products or services with statements different from or beyond the parameters stated by TI for that product or service voids all express and any implied warranties for the associated TI product or service and is an unfair and deceptive business practice. TI is not responsible or liable for any such statements.

TI products are not authorized for use in safety-critical applications (such as life support) where a failure of the TI product would reasonably be expected to cause severe personal injury or death, unless officers of the parties have executed an agreement specifically governing such use. Buyers represent that they have all necessary expertise in the safety and regulatory ramifications of their applications, and acknowledge and agree that they are solely responsible for all legal, regulatory and safety-related requirements concerning their products and any use of TI products in such safety-critical applications, notwithstanding any applications-related information or support that may be provided by TI. Further, Buyers must fully indemnify TI and its representatives against any damages arising out of the use of TI products in such safety-critical applications.

TI products are neither designed nor intended for use in military/aerospace applications or environments unless the TI products are specifically designated by TI as military-grade or "enhanced plastic." Only products designated by TI as military-grade meet military specifications. Buyers acknowledge and agree that any such use of TI products which TI has not designated as military-grade is solely at the Buyer's risk, and that they are solely responsible for compliance with all legal and regulatory requirements in connection with such use.

TI products are neither designed nor intended for use in automotive applications or environments unless the specific TI products are designated by TI as compliant with ISO/TS 16949 requirements. Buyers acknowledge and agree that, if they use any non-designated products in automotive applications, TI will not be responsible for any failure to meet such requirements.

Following are URLs where you can obtain information on other Texas Instruments products and application solutions:

Products

Amplifiers	amplifier.ti.com
Data Converters	dataconverter.ti.com
DSP	dsp.ti.com
Clocks and Timers	www.ti.com/clocks
Interface	interface.ti.com
Logic	logic.ti.com
Power Mgmt	power.ti.com
Microcontrollers	microcontroller.ti.com
RFID	www.ti-rfid.com
RF/IF and ZigBee® Solutions	www.ti.com/lprf

Applications

Audio	www.ti.com/audio
Automotive	www.ti.com/automotive
Broadband	www.ti.com/broadband
Digital Control	www.ti.com/digitalcontrol
Medical	www.ti.com/medical
Military	www.ti.com/military
Optical Networking	www.ti.com/opticalnetwork
Security	www.ti.com/security
Telephony	www.ti.com/telephony
Video & Imaging	www.ti.com/video
Wireless	www.ti.com/wireless

Mailing Address: Texas Instruments, Post Office Box 655303, Dallas, Texas 75265
Copyright © 2008, Texas Instruments Incorporated