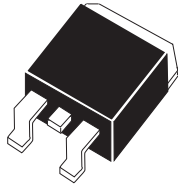


CSHDD8-40
CSHDD8-60
CSHDD8-100

**SILICON SCHOTTKY RECTIFIER
SINGLE, 8.0 AMPS, 40 THRU 100 VOLTS**



D²PAK CASE

CentralTM
Semiconductor Corp.

FEATURES:

- HIGH RELIABILITY
- LOW FORWARD VOLTAGE
- HIGH CURRENT CAPABILITY
- HIGH SURGE CAPACITY
- UL FLAMMABILITY CLASSIFICATION 94V-0
- SUPERIOR LOT TO LOT CONSISTENCY
- LOW POWER LOSS, HIGH EFFECIENCY
- HIGH VOLTAGE

DESCRIPTION:

The CENTRAL SEMICONDUCTOR CSHDD8-40 Series types are Silicon Schottky Rectifiers designed for surface mount fast switching applications requiring a low forward voltage drop. To order devices on 24mm Tape and Reel (800/13" Reel), add TR13 suffix to part number.

MARKING CODE: FULL PART NUMBER

MAXIMUM RATINGS: (T_C=25°C unless otherwise noted)

	SYMBOL	<u>CSHDD8-40</u>	<u>CSHDD8-60</u>	<u>CSHDD8-100</u>	UNITS
Peak Repetitive Reverse Voltage	V _{RRM}	40	60	100	V
DC Blocking Voltage	V _R	40	60	100	V
RMS Reverse Voltage	V _{R(RMS)}	28	42	70	V
Average Forward Current (T _C =100°C)	I _O		8.0		A
Peak Forward Surge Current (8.3ms)	I _{FSM}		150		A
Critical Rate of Rise of Reverse Voltage	dv/dt		10,000		V/μs
Operating and Storage					
Junction Temperature	T _J , T _{stg}		-65 to +150		°C
Typical Thermal Resistance	θ _{JC}		2.0		°C/W
Typical Thermal Resistance	θ _{JA}		50		°C/W

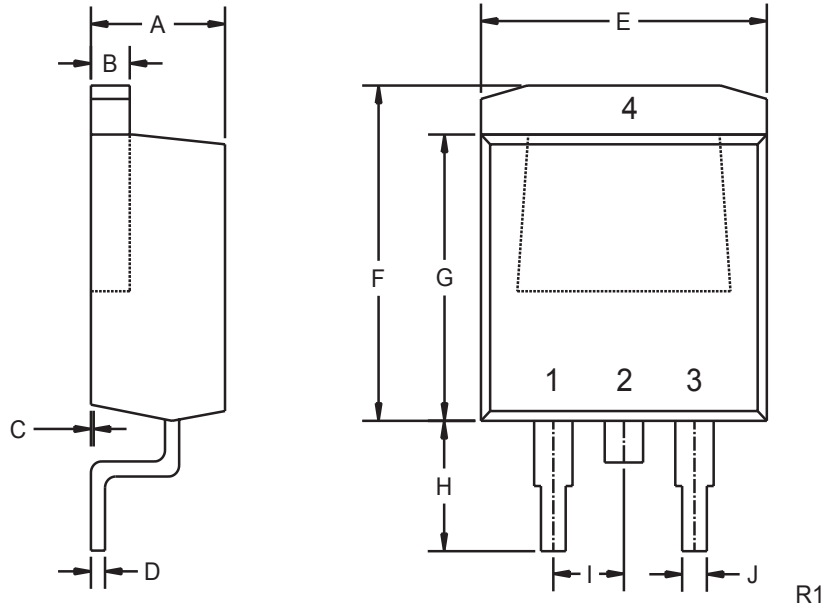
ELECTRICAL CHARACTERISTICS: (T_C=25°C unless otherwise noted)

SYMBOL	TEST CONDITIONS	<u>CSHDD8-40</u>		<u>CSHDD8-60</u>		<u>CSHDD8-100</u>		UNITS
		TYP	MAX	TYP	MAX	TYP	MAX	
I _R	V _R =Rated V _{RRM}		100		100		100	μA
I _R	V _R =Rated V _{RRM} , T _C = 125°C		15		15		15	mA
V _F	I _F =8.0A		0.65		0.75		0.85	V
V _F	I _F =8.0A, T _C = 125°C		0.57		0.65		0.75	V
V _F	I _F =16A		0.84		0.95		1.10	V
V _F	I _F =16A, T _C = 125°C		0.72		0.85		1.00	V
C _J	V _R =4.0V, f=1.0MHZ	300		300		300		pF

R1 (26-September 2002)

**SILICON SCHOTTKY RECTIFIER
SINGLE, 8.0 AMPS, 40 THRU 100 VOLTS**

D²PAK CASE - MECHANICAL OUTLINE

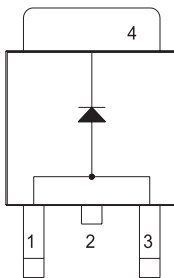


LEAD CODE:

- 1) ANODE
- 2) CATHODE
- 3) ANODE
- 4) CATHODE

PIN 2 IS COMMON TO THE TAB (4).

MARKING CODE: FULL PART NUMBER



SYMBOL	INCHES		MILLIMETERS	
	MIN	MAX	MIN	MAX
A	0.173	0.189	4.39	4.80
B	0.047	0.055	1.19	1.40
C	± 0.012		± 0.30	
D	0.011	0.026	0.28	0.66
E	0.387	0.409	9.83	10.39
F	0.378	0.418	9.60	10.62
G	0.335	0.357	8.51	9.07
H	0.197	0.236	5.00	5.99
I	0.092	0.108	2.34	2.74
J	-	0.035	-	0.89

D2PAK (REV: R1)

R1 (26-September 2002)