

**MONOLITHIC TRANSIL<sup>®</sup> ARRAY FOR DATA LINE PROTECTION**

**FEATURES**

- HIGH SURGE CAPABILITY TRANSIL ARRAY  
IPP = 40 A 8/20µs
- UP TO 9 BIDIRECTIONAL TRANSIL FUNCTIONS
- BREAKDOWN VOLTAGE AND MAXIMUM DIFFERENTIAL VOLTAGE BETWEEN TWO INPUT PINS :  
ITA6V5 = 6,5 V  
ITA10 = 10 V  
ITA18 = 18 V  
ITA25 = 25 V
- AVAILABLE IN SO 20 PACKAGES

**DESCRIPTION**

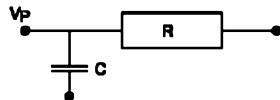
Specially developed for RS 232, RS 423 interface protection, this monolithic chip component offers a high surge capability and a low clamping voltage.

The internal wire bonding, "4 points connection", ensures a reliable protection against very fast transient overvoltages like ESD.

A low clamping voltage is guaranteed, eliminating all spikes due to the perturbation itself and also spikes induced by parasitic inductances created by external wiring.

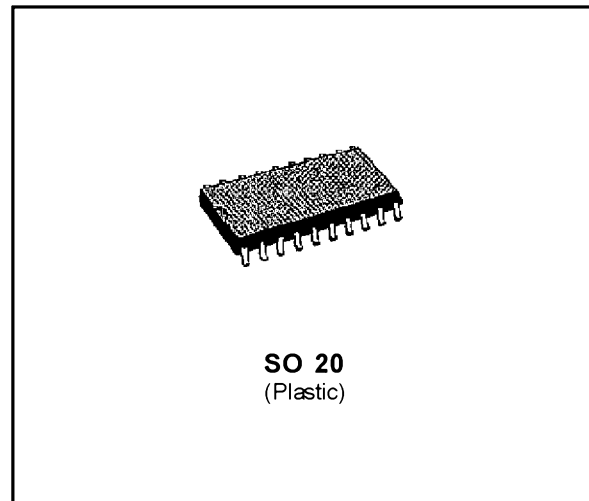
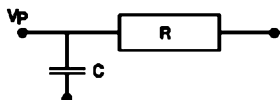
**IN ACCORDANCE WITH :**

- ESD standard :
  - . IEC 801-2 15kV 5ns / 50ns
  - . IEC 801-4 40A 5ns / 50ns
  - . IEC 801-5 1kV 1.2 / 50µs  
25A 8/20µs
  - . MIL STD 883C - Methode 3015-2  
V<sub>P</sub> = 25kV  
C = 150pF  
R = 150Ω  
5 s duration

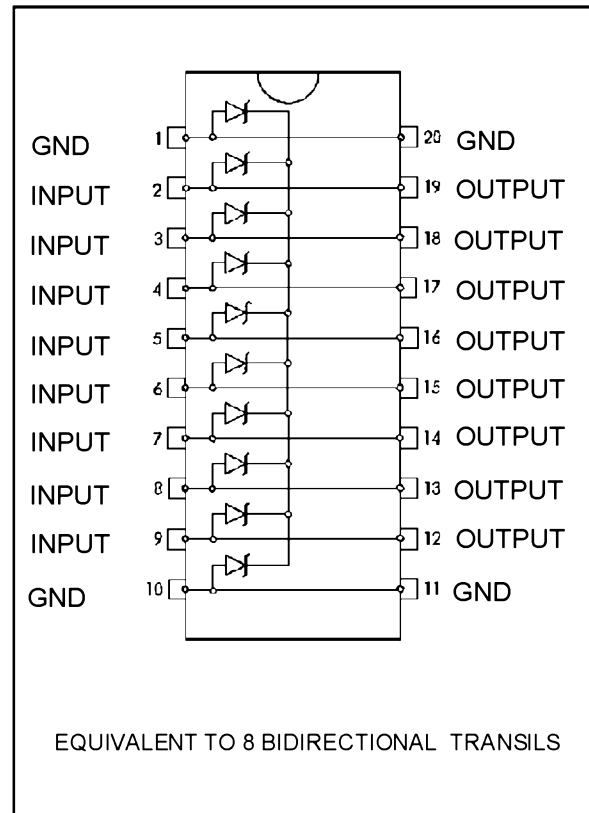


- Human body test :

- V<sub>P</sub> = 4kV
- C = 150pF
- R = 150Ω



**FUNCTIONAL DIAGRAM**

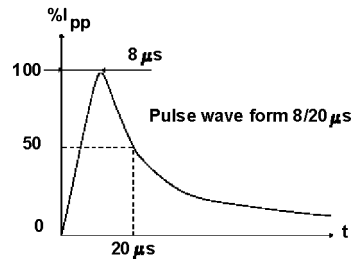


## ITA6V5B3 / ITA10B3 / ITA18B3 / ITA25B3

### ABSOLUTE RATINGS (limiting values) ( $0^{\circ}\text{C} \leq T_{\text{amb}} \leq 70^{\circ}\text{C}$ )

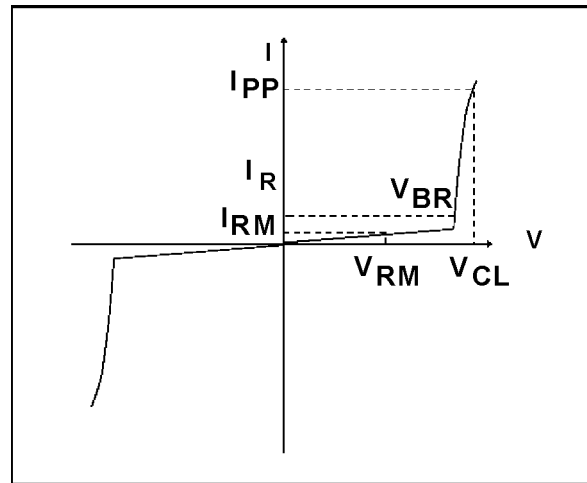
Symbol	Parameter	Value	Unit	
$I_{\text{pp}}$	Peak pulse current for 8/20 $\mu\text{s}$ exponential pulse	See note	40	A
$I^2t$	Wire $I^2t$ value	See note	0.6	$\text{A}^2\text{s}$
$T_{\text{stg}}$ $T_{\text{j}}$	Storage and Junction Temperature Range	- 55 to + 150 125	$^{\circ}\text{C}$ $^{\circ}\text{C}$	

Note : For surges greater than the maximum value specified, the input/output will present first a short circuit to the common bus line and after an open circuit caused by the wire.



### ELECTRICAL CHARACTERISTICS

Symbol	Parameter
$I_{\text{RM}}$	Leakage Current @ $V_{\text{RM}}$
$V_{\text{RM}}$	Stand-off Voltage
$V_{\text{BR}}$	Breakdown Voltage
$V_{\text{CL}}$	Clamping Voltage
$I_{\text{PP}}$	Surge Current
C	Input Capacitance



Types	$I_{\text{RM}}$ @ $V_{\text{RM}}$		$V_{\text{BR}}$ @ $I_{\text{R}}$		$V_{\text{CL}}$ @ $I_{\text{PP}}$		$V_{\text{CL}}$ max Note 1	$I_{\text{pp}}$ max 8/20 $\mu\text{s}$	C1 max Note2	C2 max Note3	$\alpha_T$ max
	max $\mu\text{A}$	V	min Note 1 V	$I_{\text{R}}$ mA	V	A					
ITA6V5B3	50	5	6.5	1	9,5	10	11	25	1100	800	4
ITA10B3	10	8	10	1	13	10	17	25	800	360	8
ITA18B3	4	15	18	1	23	10	26	25	500	250	9
ITA25B3	4	24	25	1	31	10	36	25	420	140	12

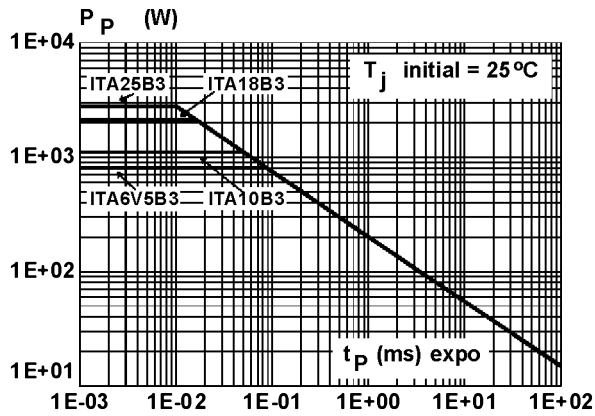
All parameters tested at  $25^{\circ}\text{C}$ , except where indicated.

Note 1 : Between I/O pin and ground

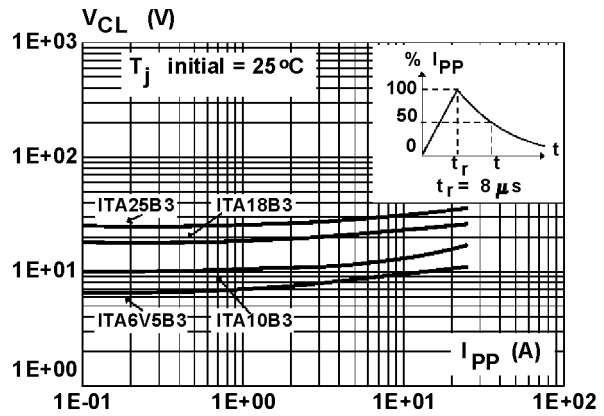
Note 2 : Between two input Pins at 0 V Bias

Note 3 : Between one input Pin at 0 V and one input Pin at  $V_{\text{RM}}$ .

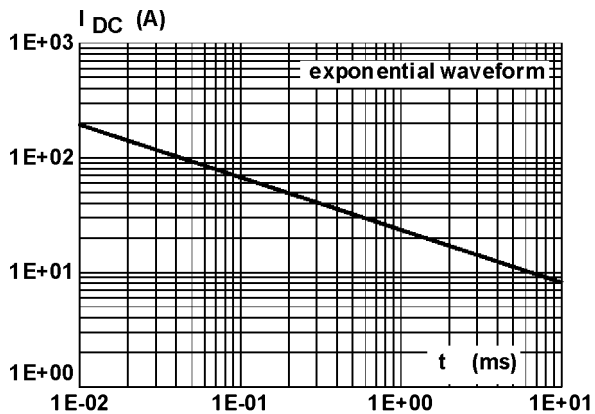
**Figure 1 :** Typical. Peak pulse power versus exponential pluse duration.



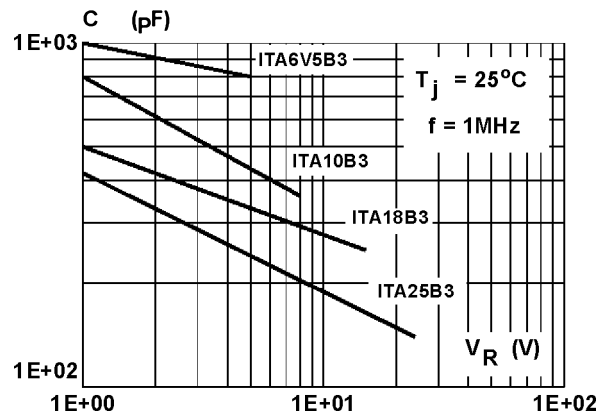
**Figure 2 :** Clamping voltage versus peak pulse current exponential waveform 8/20  $\mu$ s.



**Figure 3 :** Peak current  $I_{PC}$  inducing open circuit of the wire for one input/output versus pulse duration (typical values).



**Figure 4 :** Junction capacitance versus reverse applied voltage for one input/output (typical values).



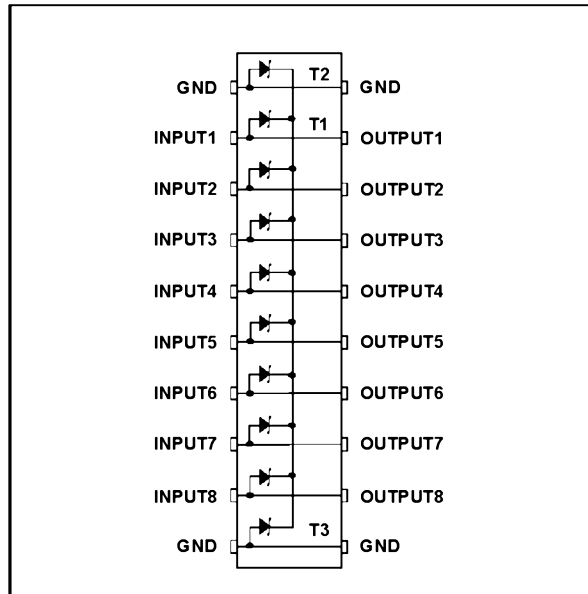
**Note :** The curve of the figure 2 is specified for a junction temperature of 25°C before surge.

**APPLICATION NOTICE**

TYPES	Maximum differential voltage between two input pins at 25 °C	
	V	
ITA6V5B	6.5	
ITA10B3	10	
ITA18B3	18	
ITA25B3	25	

This monolithic Transil Array is based on 10 Unidirectional Transils with a common cathode and can be configured to offer 8 or 9 bidirectional functions following the customer application.

**Figure 5 : Equivalent to 8 Bidirectional Transils**



UTILIZATION AS OCTAL BIDIRECTIONAL TRANSIL ARRAY.

The main application of this device is to be configured as a 8 bidirectional Transil Array as per the Pin-out of Fig 6.

Pin 1 - 20 and Pin 10 - 11 are connected to ground.

INPUTS are from Pin 2 to Pin 9 and

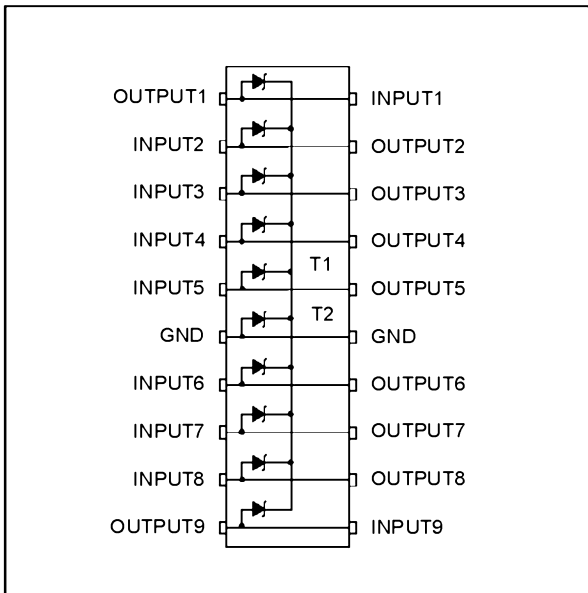
OUTPUTS are from Pin 12 to Pin 19.

**Note :** INPUTS and OUTPUTS are symmetrical and can be reversed following application layout requests.

The bidirectional function is made with 2 unidirectional Transils. One (T1) is connected to the INPUT/OUTPUT, the other one (T2) is connected to the ground (see Fig 5).

Ground is connected via 2 diodes T2 and T3. This allows it to withstand 2 specified surges on 2 different lines at the same time.

**Figure 6 : Equivalent to 9 Bidirectional Transils**



UTILIZATION AS 9 BIDIRECTIONAL TRANSIL ARRAY.

The ITAxxB can be also used as a 9 bidirectional Transil Array.

Ground can be connected to the couple Pin 1 - 20 or 2 - 19 or 3 - 18 or 4 - 17 up to 10-11.

The other Pins are used as INPUTS and OUTPUTS.

The bidirectional function is made with 2 unidirectional Transil T1 and T2. One example with ground Pins 6-15 is given Fig 6.

This configuration allows to withstand only one specified surge at the same time.

**APPLICATION NOTICE**

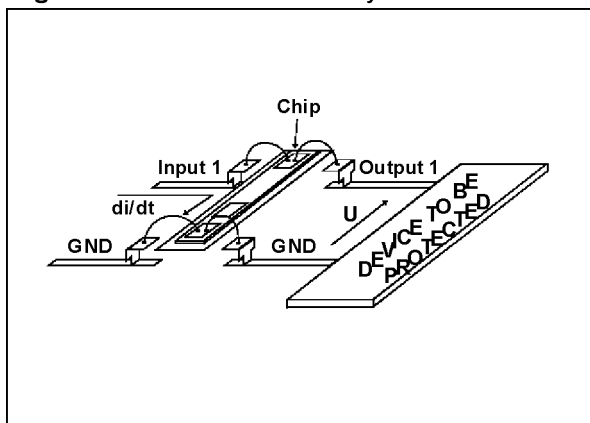
**Design advantage of ITAxxxB3 used with 4 - points Structure.**

The ITAxxxB3 has been designed with a 4 - points structure (Isolated Input/output) in order to efficiently protect against disturbances with very high (di/dt) rates, such as ESD.

The purpose is to eliminate the overvoltage introduced by the parasitic inductances of the wiring ( $L \cdot di/dt$ ).

But efficient protection depends not only on the component itself, but also on the schematic layout.

**Figure 7 : 4 Point structure layout**



The schema given in fig. 7, shows the lay-out to be used in order to take advantage of the 4 - points structure of the ITAxxxB3.

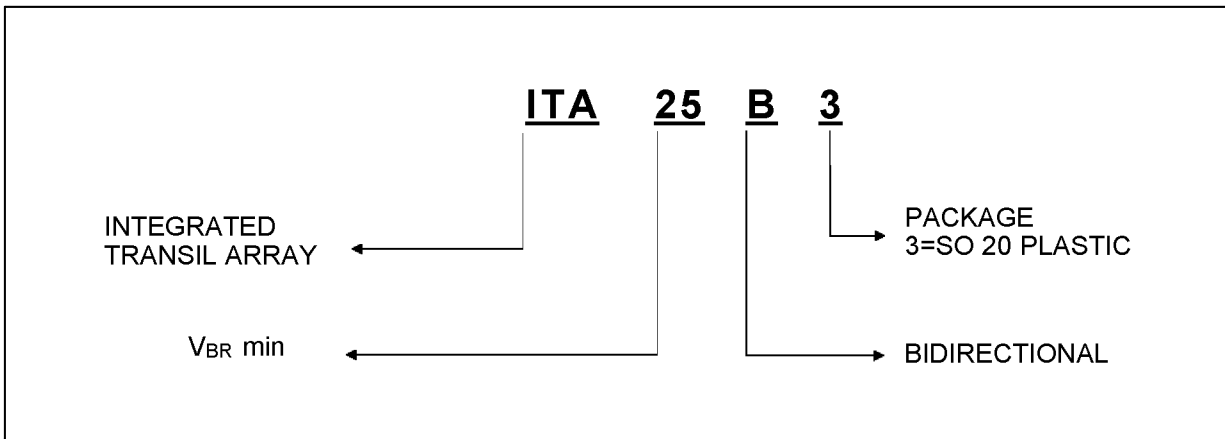
With this lay-out, each of the lines to be protected passes through the protection device.

In this case, it works as an interface between the data line and the circuit to be protected, guaranteeing an isolation between its inputs and outputs.

The surge current is deviated through the input stage of the protection device.

The component to be protected is no longer exposed to any  $L \cdot di/dt$  overvoltages.

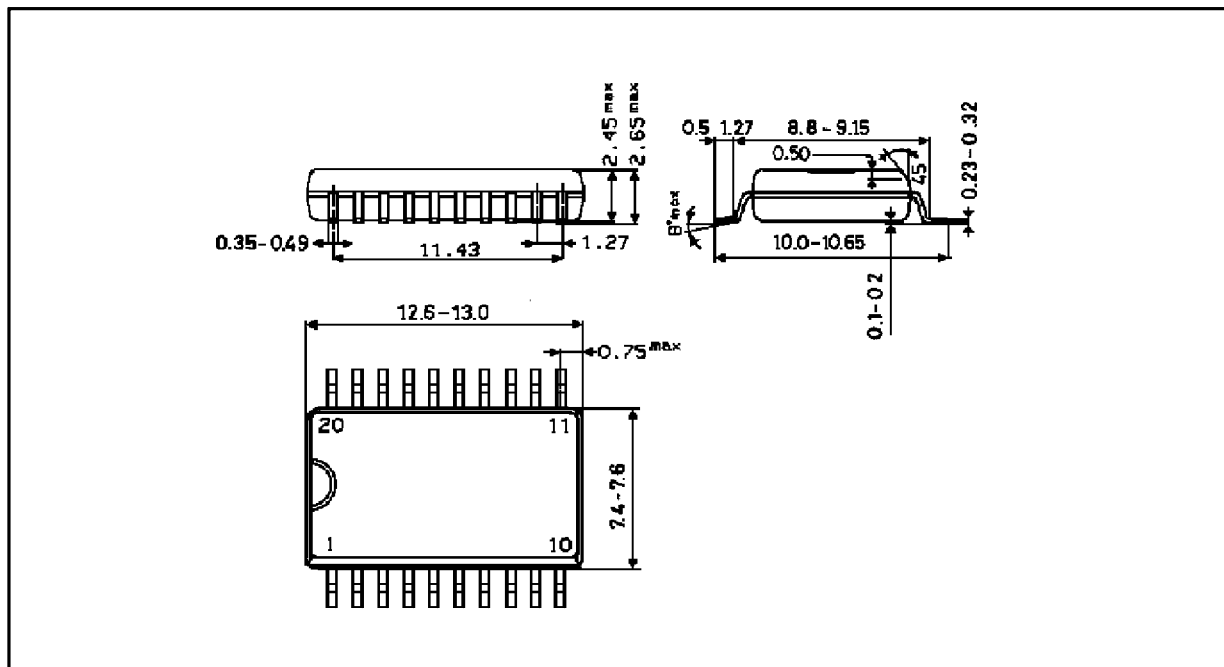
ORDER CODE



MARKING

TYPE	MARKING
ITA6V5B3	ITA6V5B3
ITA10B3	ITA10B3
ITA18B3	ITA18B3
ITA25B3	ITA25B3

PACKAGE MECHANICAL DATA (in millimeters)  
SO 20 Plastic



Packaging : Products supplied in antistatic tubes.

Information furnished is believed to be accurate and reliable. However, SGS-THOMSON Microelectronics assumes no responsibility for the consequences of use of such information nor for any infringement of patents or other rights of third parties which may result from its use. No license is granted by implication or otherwise under any patent or patent rights of SGS-THOMSON Microelectronics. Specifications mentioned in this publication are subject to change without notice. This publication supersedes and replaces all information previously supplied. SGS-THOMSON Microelectronics products are not authorized for use as critical components in life support devices or systems without express written approval of SGS-THOMSON Microelectronics.

© 1994 SGS-THOMSON Microelectronics - All Rights Reserved

Purchase of I<sup>2</sup>C Components by SGS-THOMSON Microelectronics, conveys a licence under the Philips I<sup>2</sup>C Patent. Rights to use these components in an I<sup>2</sup>C system, is granted provided that the system conforms to the I<sup>2</sup>C Standard Specification as defined by Philips.

SGS-THOMSON Microelectronics GROUP OF COMPANIES  
Australia - Brazil - France - Germany - Hong Kong - Italy - Japan - Korea - Malaysia - Malta - Morocco - The Netherlands -  
Singapore - Spain - Sweden - Switzerland - Taiwan - Thailand - United Kingdom - U.S.A