

Application Specific Discretos  
A.S.D.<sup>TM</sup>

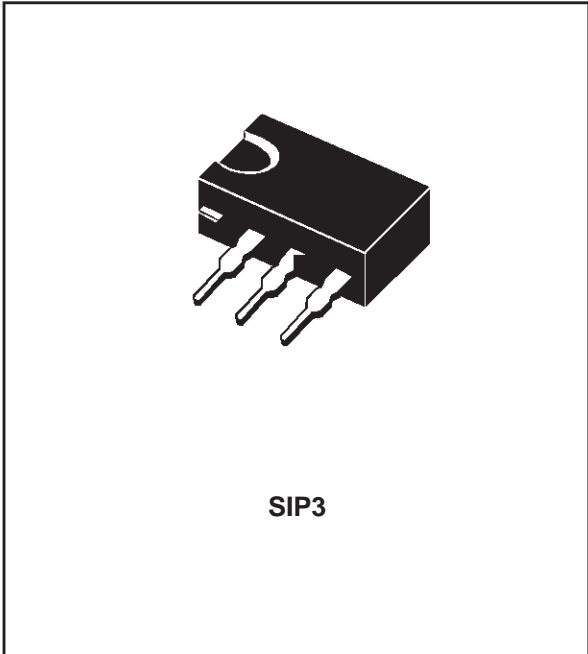
TRANSIENT VOLTAGE SUPPRESSOR  
FOR SLIC PROTECTION

**FEATURES**

- DUAL BIDIRECTIONAL CROWBAR PROTECTION.
- PEAK PULSE CURRENT :  
-  $I_{PP} = 35 \text{ A}$ ,  $10/1000 \mu\text{s}$ .
- HOLDING CURRENT =  $150 \text{ mA min}$
- BREAKDOWN VOLTAGE =  $200 \text{ V min}$ .
- BREAKOVER VOLTAGE =  $290 \text{ V max}$ .
- MONOLITHIC DEVICE.

**DESCRIPTION**

This monolithic protection device has been especially designed to protect subscriber line cards. The THBT200S device is particularly suitable to protect ring generator relay against transient overvoltages.

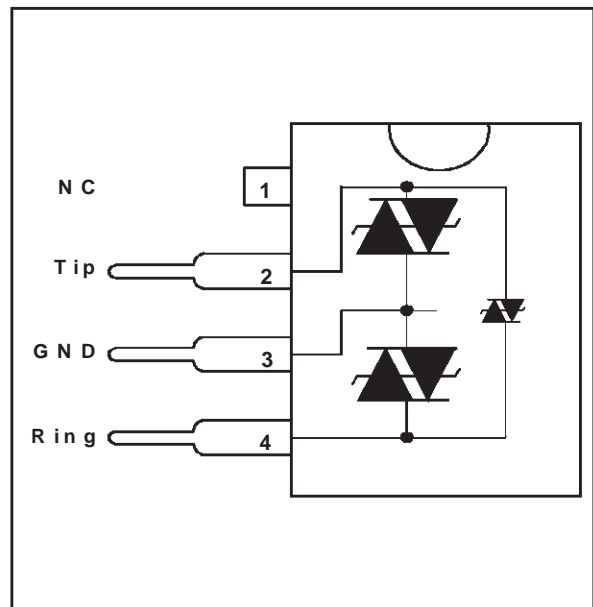


**COMPLIES WITH THE FOLLOWING STANDARDS :**

<b>CCITT K20 :</b>	10/700 $\mu\text{s}$	1kV
	5/310 $\mu\text{s}$	25A
<b>VDE 0433 :</b>	10/700 $\mu\text{s}$	2kV
	5/310 $\mu\text{s}$	45A (*)
<b>VDE 0878 :</b>	1.2/50 $\mu\text{s}$	1.5kV
	1/20 $\mu\text{s}$	40A
<b>FCC part 68 :</b>	2/10 $\mu\text{s}$	2.5kV
	2/20 $\mu\text{s}$	80A (*)
<b>BELLCORE</b>		
<b>TR-NWT-001089 :</b>	2/10 $\mu\text{s}$	2.5kV
	2/10 $\mu\text{s}$	80A
	10/1000 $\mu\text{s}$	1kV
	10/1000 $\mu\text{s}$	35A (*)

(\*) with series resistors or PTC.

**SCHEMATIC DIAGRAM**



TM: ASD is trademarks of SGS-THOMSON Microelectronics.

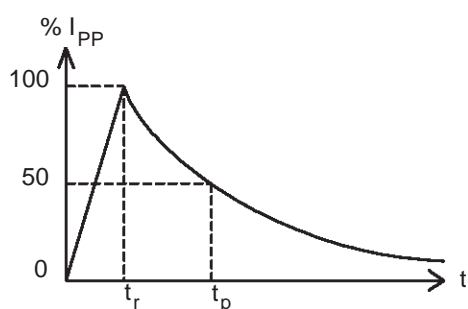
## THBT200S1

### ABSOLUTE MAXIMUM RATINGS ( $T_{amb} = 25\text{ °C}$ )

Symbol	Parameter	Value	Unit	
$I_{PP}$	Peak pulse current (see note 1)	10/1000 $\mu\text{s}$ 8/20 $\mu\text{s}$ 2/10 $\mu\text{s}$	35 70 80	A
$I_{TSM}$	Non repetitive surge peak on-state current	$t_p = 20\text{ms}$	20	A
$T_{stg}$ $T_j$	Storage and operating junction temperature range Maximum junction temperature	- 40 to + 150 + 150		$^{\circ}\text{C}$
$T_L$	Maximum lead temperature for soldering during 10s	230		$^{\circ}\text{C}$

Note 1 : Pulse waveform :

10/1000 $\mu\text{s}$	$t_r=10\mu\text{s}$	$t_p=1000\mu\text{s}$
5/310 $\mu\text{s}$	$t_r=5\mu\text{s}$	$t_p=310\mu\text{s}$
2/10 $\mu\text{s}$	$t_r=2\mu\text{s}$	$t_p=10\mu\text{s}$

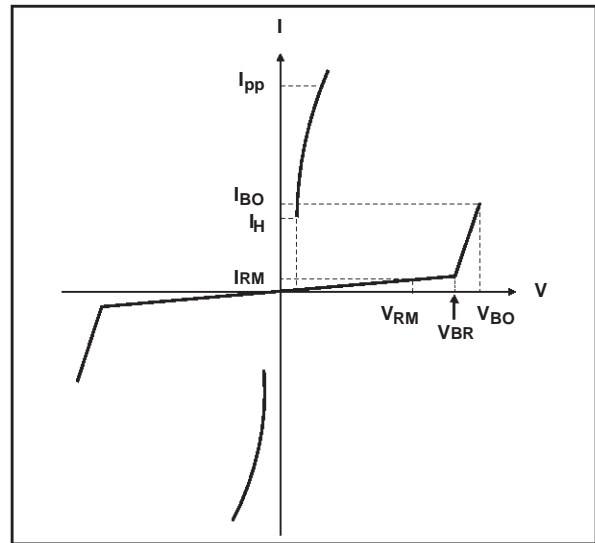


### THERMAL RESISTANCE

Symbol	Parameter	Value	Unit
$R_{th(j-a)}$	Junction to ambient	80	$^{\circ}\text{C/W}$

**ELECTRICAL CHARACTERISTICS** ( $T_{amb}=25^{\circ}C$ )

Symbol	Parameter
$V_{RM}$	Stand-off voltage
$I_{RM}$	Leakage current at $V_{RM}$
$V_{BR}$	Continuous reverse voltage
$V_{BO}$	Breakover voltage
$I_H$	Holding current
$I_{BO}$	Breakover current
$I_{PP}$	Peak pulse current
C	Capacitance



**1 - PARAMETERS RELATED TO ONE TRISIL.** (Between TIP and GND or RING and GND)

$I_{RM}$ @ $V_{RM}$		$V_{BR}$ @ $I_H$		$V_{BO}$ @ $I_{BO}$			$I_H$	C
max.		min.		max.	min.	max.	min.	max.
				note 1			note 2	note 3
$\mu A$	V	V	mA	V	mA	mA	mA	pF
10	180	200	1	290	150	800	150	200

**Note 1 :** See reference test circuit 1 for  $I_H$ ,  $I_{BO}$  and  $V_{BO}$  parameters.

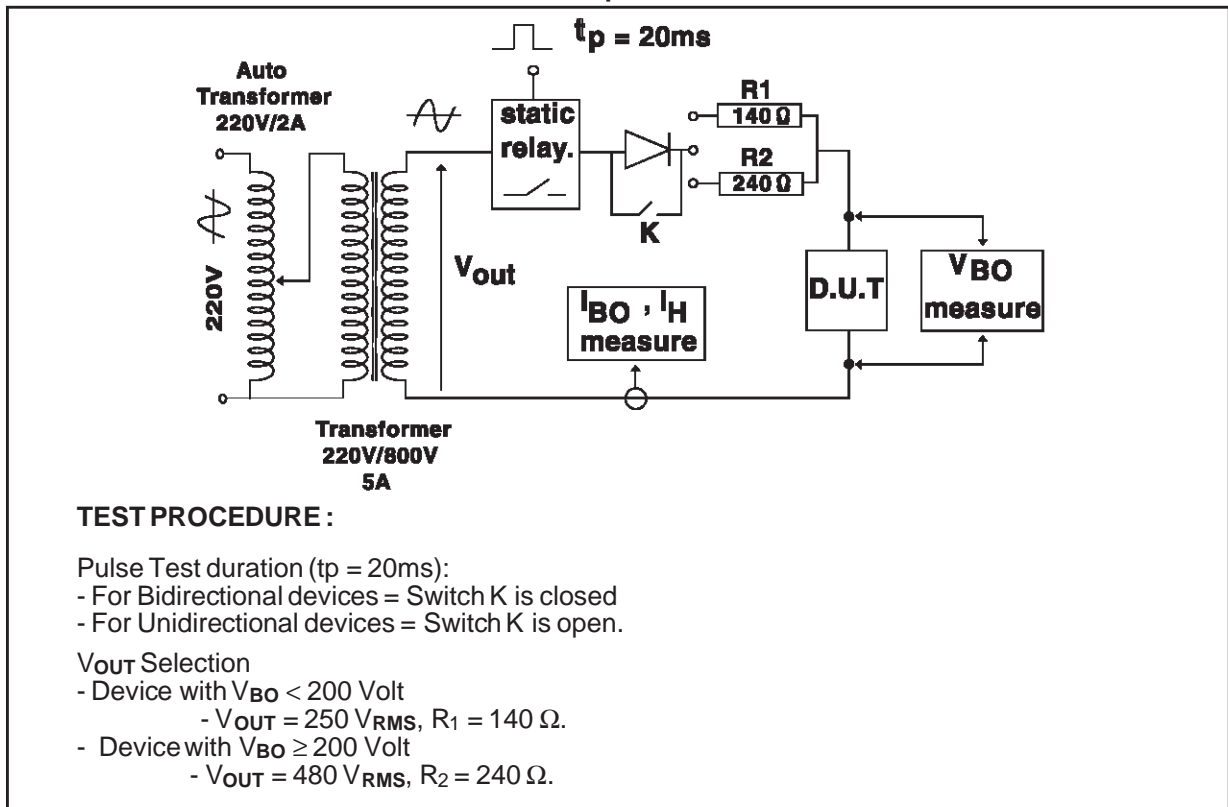
**Note 2 :** See test circuit 2.

**Note 3 :**  $V_R = 1V$ ,  $F = 1MHz$ .

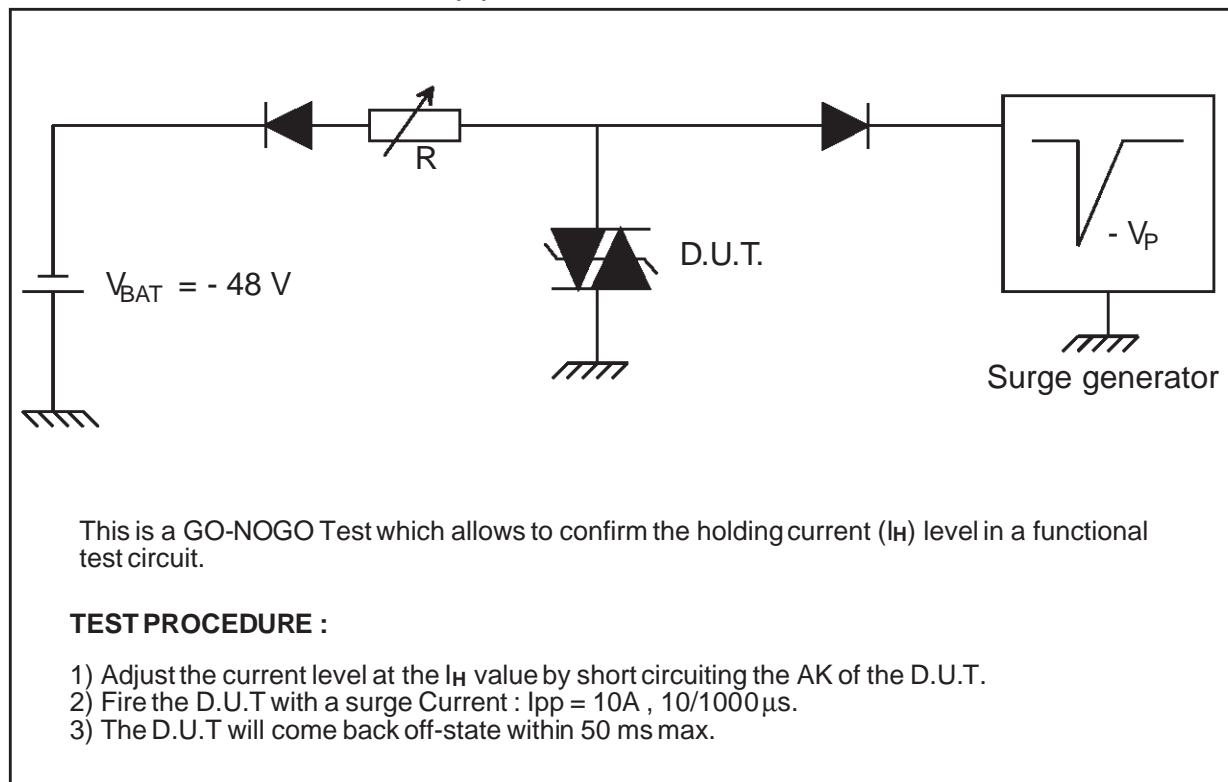
**2 - PARAMETERS RELATED TO TIP and RING TRISIL.**

$I_{RM}$ @ $V_{RM}$		C
max.		max.
$\mu A$	V	pF
10	180	200

REFERENCE TEST CIRCUIT 1 FOR  $I_{BO}$  and  $V_{BO}$  parameters :

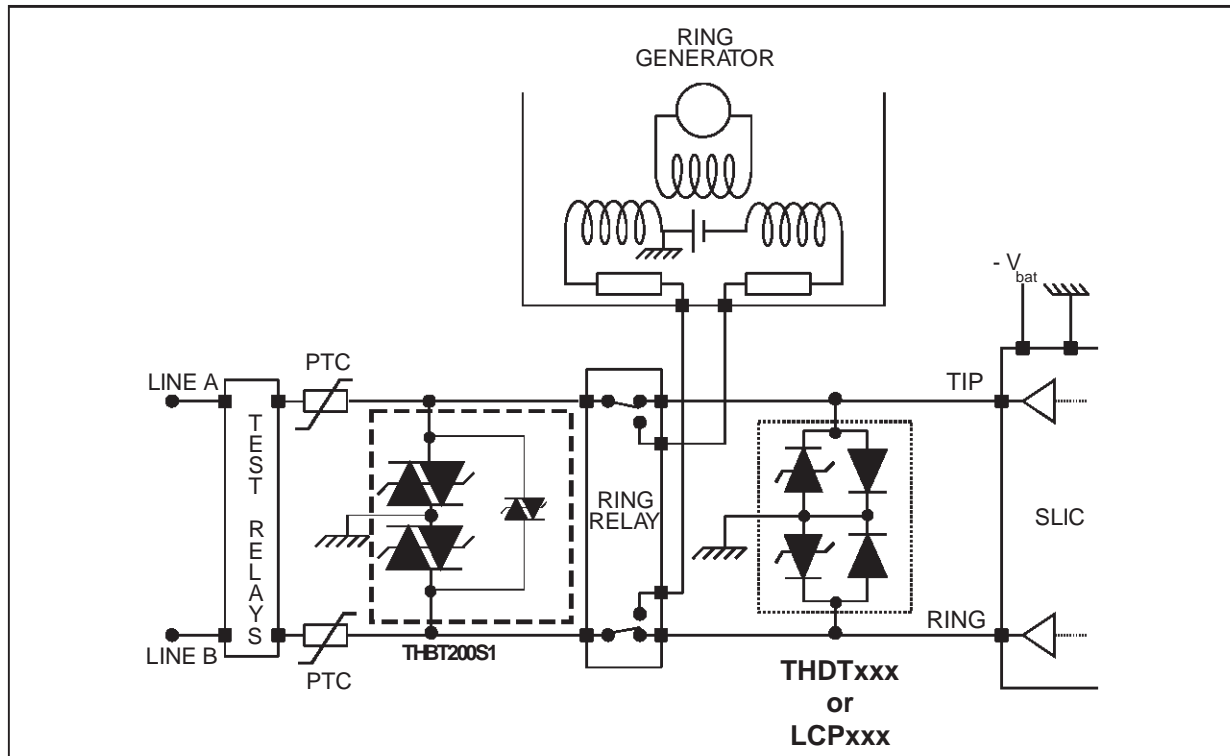


FUNCTIONAL HOLDING CURRENT ( $I_H$ ) TEST CIRCUIT 2.

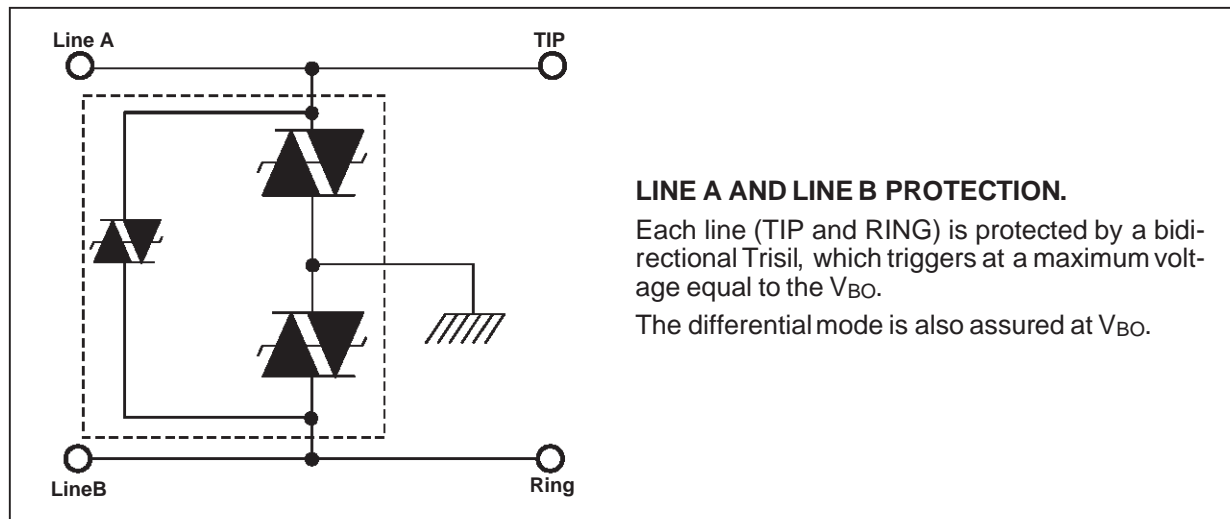


APPLICATION CIRCUIT

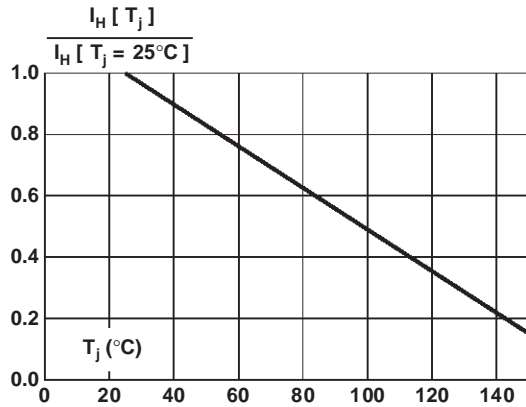
Typical line card protection concept



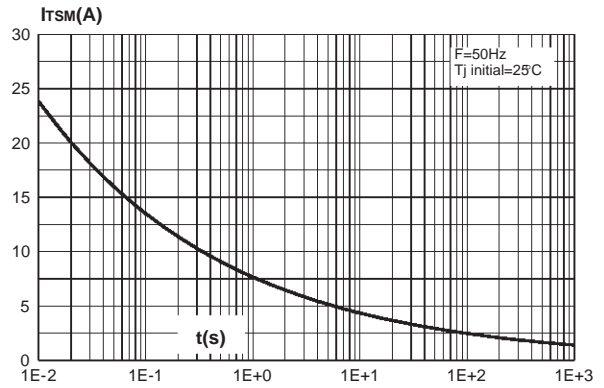
FUNCTIONAL DESCRIPTION



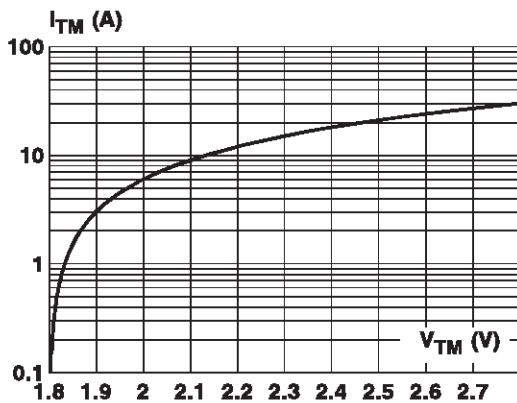
**Fig. 1 :** Relative variation of holding current versus junction temperature.



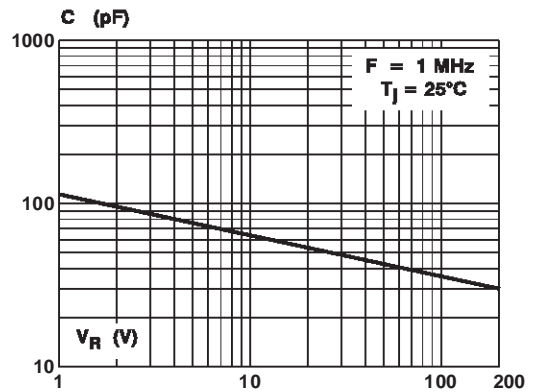
**Fig. 2 :** Surge peak current versus overload duration.



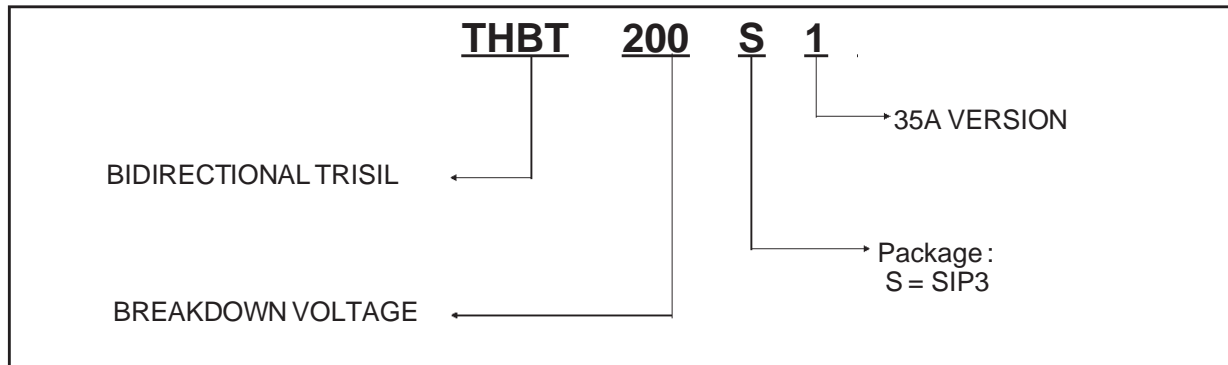
**Fig. 3 :** Peak on state voltage versus peak on state current (typical values).



**Fig. 4 :** Capacitance versus reverse applied voltage (typical values).



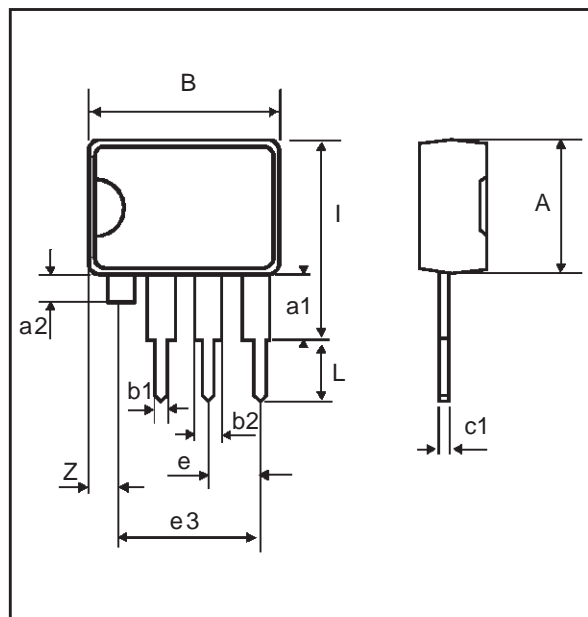
**ORDER CODE**



**MARKING :**

Package	Types	Marking
SIP3	THBT200S1	TBT200S1

**PACKAGE MECHANICAL DATA**  
SIP3 Plastic



REF.	DIMENSIONS					
	Millimetres			Inches		
	Min.	Typ.	Max.	Min.	Typ.	Max.
A			7.10			0.280
a1	2.80			0.110		
a2	1.50		1.90	0.059		0.075
B			10.15			0.400
b1		0.50			0.020	
b2	1.35		1.75	0.053		0.069
c1	0.38		0.50	0.015		0.020
e		2.54			0.100	
e3		7.62			0.200	
I			10.50			0.413
L		3.30			0.130	
Z			1.50			0.059

**Packaging:** Products supplied in antistatic tubes.

**Weight :** 0.55g

Information furnished is believed to be accurate and reliable. However, SGS-THOMSON Microelectronics assumes no responsibility for the consequences of use of such information nor for any infringement of patents or other rights of third parties which may result from its use. No license is granted by implication or otherwise under any patent or patent rights of SGS-THOMSON Microelectronics. Specifications mentioned in this publication are subject to change without notice. This publication supersedes and replaces all information previously supplied. SGS-THOMSON Microelectronics products are not authorized for use as critical components in life support devices or systems without express written approval of SGS-THOMSON Microelectronics.

© 1998 SGS-THOMSON Microelectronics - Printed in Italy - All rights reserved.

SGS-THOMSON Microelectronics GROUP OF COMPANIES

Australia - Brazil - Canada - China - France - Germany - Italy - Japan - Korea - Malaysia - Malta - Morocco  
The Netherlands - Singapore - Spain - Sweden - Switzerland - Taiwan - Thailand - United Kingdom - U.S.A.