

—Standard Valves—

VALVE TYPE 3A/105-B

LOW NOISE TRIODE.

SPECIFICATION.

Cathode.

Indirectly heated oxide coated.
Constant voltage type.

Base.

British small 4-pin.
Grid connected to top cap type B.

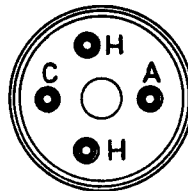
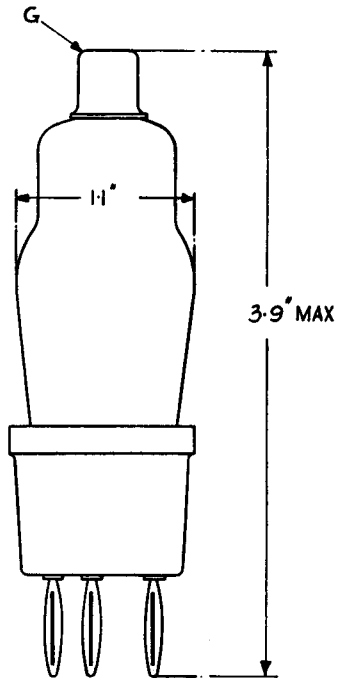
Dimensions.

Maximum overall length 3.9" (9.9 cms.)
Maximum diameter 1.1" (2.8 cms.)

Constants.

| | |
|------------------------|------------------------|
| Heater voltage | 13 volts |
| Heater current | 0.19 amps. |
| *Amplification factor | 40 |
| *Impedance | 19,000 ohms |
| *Mutual conductance | 2.1 mA. per volt |
| Grid-anode capacity | 1.5 $\mu\mu\text{F}$. |
| Grid-cathode capacity | 2.4 $\mu\mu\text{F}$. |
| Anode-cathode capacity | 4.5 $\mu\mu\text{F}$. |

* at $V_p = 130$ volts, $V_{g_1} = -1.5$ volts.



LIMITING CONDITIONS FOR SAFE OPERATION.

| | |
|------------------------------|-----------|
| Maximum direct anode voltage | 250 volts |
| Maximum anode dissipation | 2.5 watts |
| Maximum direct anode current | 15 mA. |

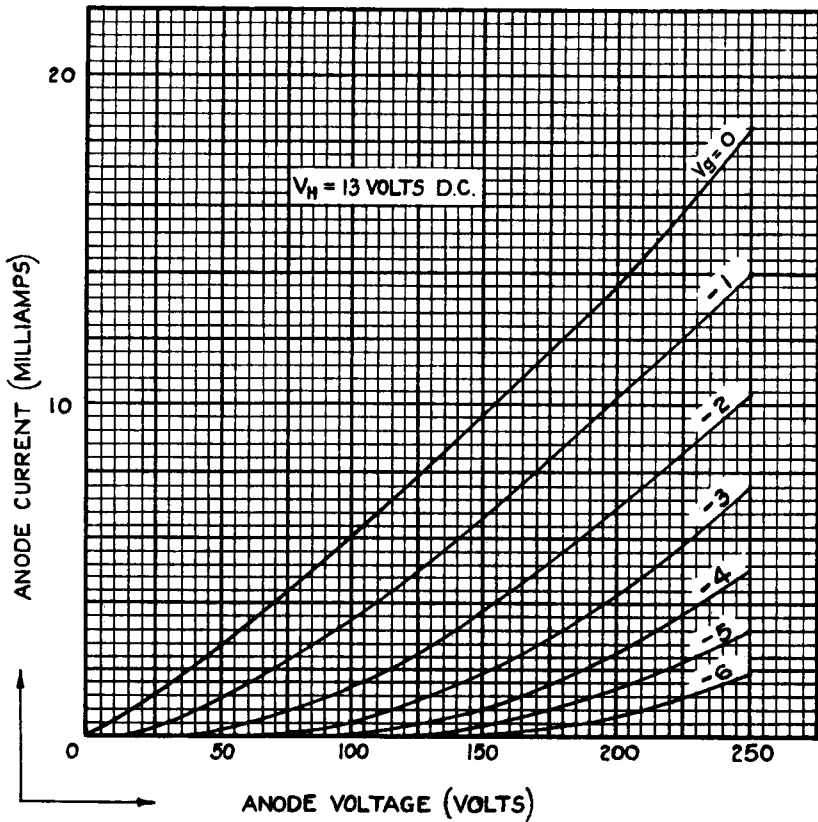
Tentative data

W.3A/105-B.1
April 1939

—Standard Valves—

TYPICAL OPERATING CONDITIONS.

| Anode Voltage Volts | Grid Bias Volts | Load Resistance Ohms | Output mW. | Total Harmonics db |
|------------------------|--------------------|-------------------------|---------------|--------------------------|
| 130 | —1 | 9,000 | 3 | 26 |
| 150 | —1.5 | 11,000 | 3 | 29 |
| 200 | —2 | 14,000 | 5 | 30 |
| 200 | —2 | 14,000 | 15 | 25 |
| 250 | —2.5 | 18,000 | 5 | 32 |
| 250 | —2.5 | 18,000 | 30 | 27 |



PM 442

PRINTED IN ENGLAND