



# Single Ended Water Cooled R.F. Triode

3Q/260E

**CATHODE.**

Thoriated tungsten filament

Voltage	10	V
Nominal current	80	A
Peak usable emission	35	A

**RATING.**

Amplification factor	$\left\{ \begin{array}{l} \text{Measured at} \\ V_a 2kV. I_a 2A \end{array} \right\}$	35	
Impedance		1,400	$\Omega$

**DIRECT INTER-ELECTRODE CAPACITIES.**

Grid to anode	30	pF
Grid to filament	50	pF
Anode to filament	2.0	pF

**COOLING.**

Normal water flow	11	g.p.m.
Water Jacket	type 3005C	
Air cooling required when R.F. grid current exceeds 10 A per lead to be directed at grid seals through a fish-tail nozzle of 3" by $\frac{1}{4}$ " orifice not less than		
	10	cu ft/min

**DIMENSIONS.**

Maximum overall length	355	mm
Maximum diameter	130	mm
Net weight	2,060	g

**MAXIMUM RATINGS.**

Maximum direct anode voltage	11	kV
Maximum anode dissipation	20	kW
Maximum grid dissipation	800	W
Maximum R.F. grid current per lead	30	A
Maximum frequency for above ratings	30	Mc/s

# Single Ended Water Cooled R.F. Triode



3Q/260E

## TYPICAL OPERATING CONDITIONS

### RADIO FREQUENCY

#### Class B Telephony. Modulated Carrier applied to grid.

(Carrier conditions per valve for use with 100% modulation).

Direct anode voltage	10	kV
Grid bias	-300	V
Direct anode current	3	A
Peak R.F. grid voltage	540	V
Power output	10	kW

#### Class C Power Amplifier Anode subject to Modulation.

(Carrier conditions per valve for use with 100% modulation).

Direct anode voltage	8	kV
Grid bias	-950	V
Direct anode current	4	A
Peak R.F. grid voltage	1,600	V
*Direct grid current	0.75	A approx.
Power output	20	kW

#### Class C Power Amplifier or Oscillator, Unmodulated.

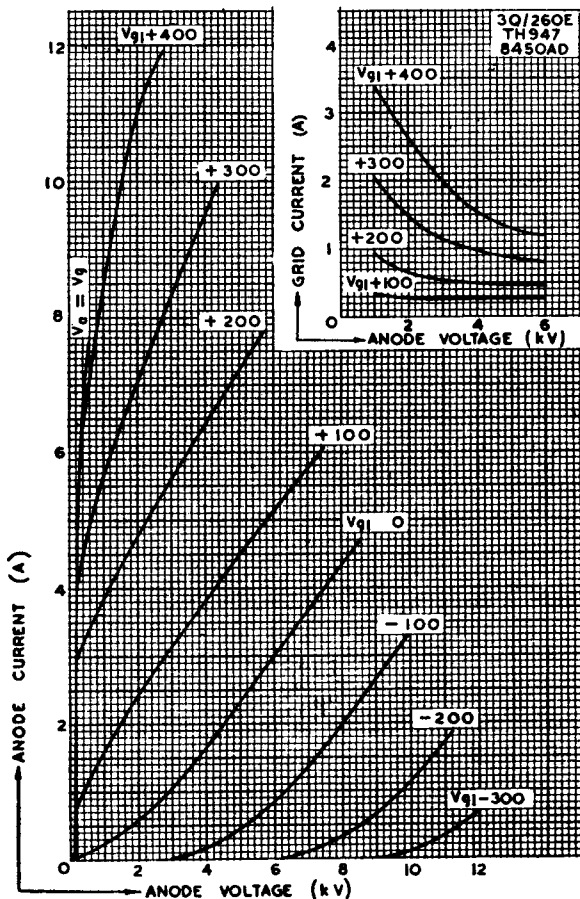
Direct anode voltage	11	kV
Grid bias	-700	V
Direct anode current	5	A
Peak R.F. grid voltage	1,400	V
*Direct grid current	0.8	A approx.
Power output	38	kW approx.

\*Subject to wide variation, depending upon the impedance of the load circuit.



# Single Ended Water Cooled R.F. Triode

3Q/260E

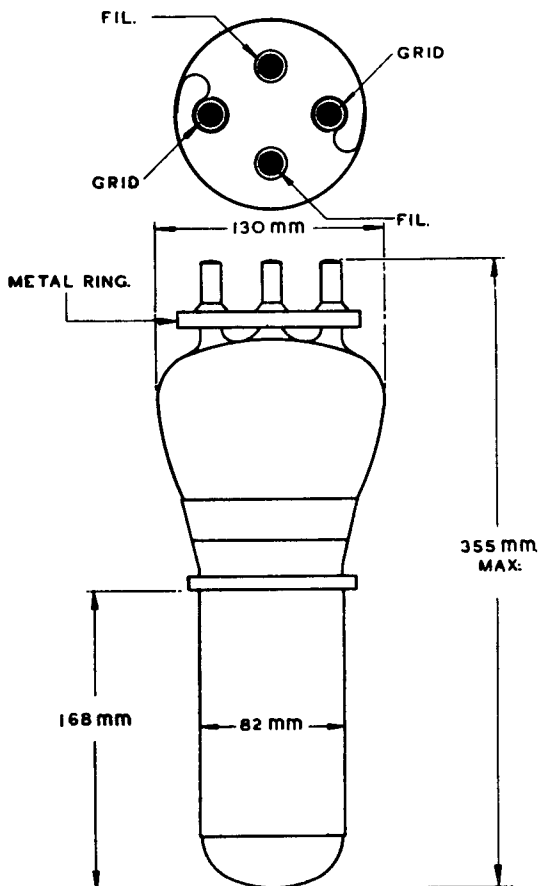


3Q/260E

# Single Ended Water Cooled R.F. Triode



3Q/260E



Tentative data  
September 1948

3Q/260E-4