

**CHARACTERISTICS**

**GENERAL DATA**

Focusing Method . . . . .	Electrostatic
Deflecting Method . . . . .	Electrostatic
Phosphor . . . . .	P1
Fluorescence . . . . .	Green
Persistence . . . . .	Medium
Faceplate . . . . .	Clear

**ELECTRICAL DATA**

Heater Voltage . . . . .	6.3 Volts
Heater Current (approx.) . . . . .	0.6 Ampere
Direct Interelectrode Capacitances (approx.)	
Cathode to All Other Electrodes . . . . .	9 $\mu\text{mf}$
Grid No. 1 to All Other Electrodes . . . . .	8 $\mu\text{mf}$
Between Deflecting Plates 1-2 <sup>1</sup> . . . . .	2 $\mu\text{mf}$
Between Deflecting Plates 3-4 <sup>1</sup> . . . . .	2 $\mu\text{mf}$
Deflecting Plate 1 <sup>1</sup> to All Other Electrodes . . . . .	9 $\mu\text{mf}$
Deflecting Plate 2 <sup>1</sup> to All Other Electrodes . . . . .	9 $\mu\text{mf}$
Deflecting Plate 3 <sup>1</sup> to All Other Electrodes . . . . .	7 $\mu\text{mf}$
Deflecting Plate 4 <sup>1</sup> to All Other Electrodes . . . . .	8 $\mu\text{mf}$

**MECHANICAL DATA**

Minimum Useful Screen Dimension (Diameter) . . . . .	4½ Inches
Bulb Contact (Recessed Small Ball Cap) . . . . .	J1-22
Base (Medium Shell Diheptal 12-Pin) . . . . .	B12-37
Basing . . . . .	14J

**RATINGS**

**MAXIMUM RATINGS (Design Center Values)**

Anode No. 3 Voltage . . . . .	4,000 Volts dc
Anode No. 2 Voltage . . . . .	2,000 Volts dc
Anode No. 1 Voltage . . . . .	1,000 Volts dc
Grid No. 1 Voltage	
Negative Bias Value . . . . .	200 Volts dc
Positive Bias Value . . . . .	0 Volts dc
Positive Peak Value . . . . .	2 Volts
Peak Heater Cathode Voltage	
Heater Negative with Respect to Cathode . . . . .	125 Volts
Heater Positive with Respect to Cathode . . . . .	125 Volts
Peak Voltage Between Anode No. 2 And Any Deflecting Plate . . . . .	500 Volts

**RECOMMENDED OPERATING CONDITIONS**

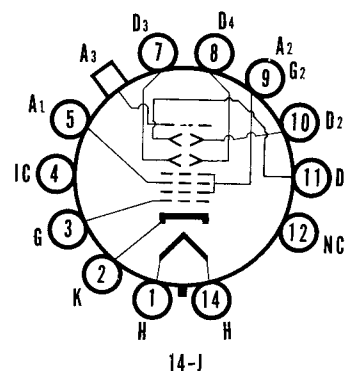
Anode No. 3 Voltage . . . . .	4,000 Volts dc
Anode No. 2 Voltage . . . . .	2,000 Volts dc
Anode No. 1 Voltage . . . . .	375 to 690 Volts dc
Grid No. 1 Voltage Required for Cutoff <sup>2</sup> . . . . .	-30 to -90 Volts dc
Deflection Factor	
Deflecting Plates 1-2 <sup>3</sup> . . . . .	92 Volts dc/Inch
Deflecting Plates 3-4 <sup>4</sup> . . . . .	78 Volts dc/Inch

**CIRCUIT VALUES**

Grid No. 1 Circuit Resistance . . . . .	1.5 Megohms Max.
Deflection Circuit Resistance . . . . .	5.0 Megohms Max.

**QUICK REFERENCE DATA**

Special Purpose Tube  
5" Direct Viewed  
Round Glass Type  
Electrostatic Deflection  
Electrostatic Focus  
Post Deflection Accelerator



**SYLVANIA ELECTRIC  
PRODUCTS INC.**

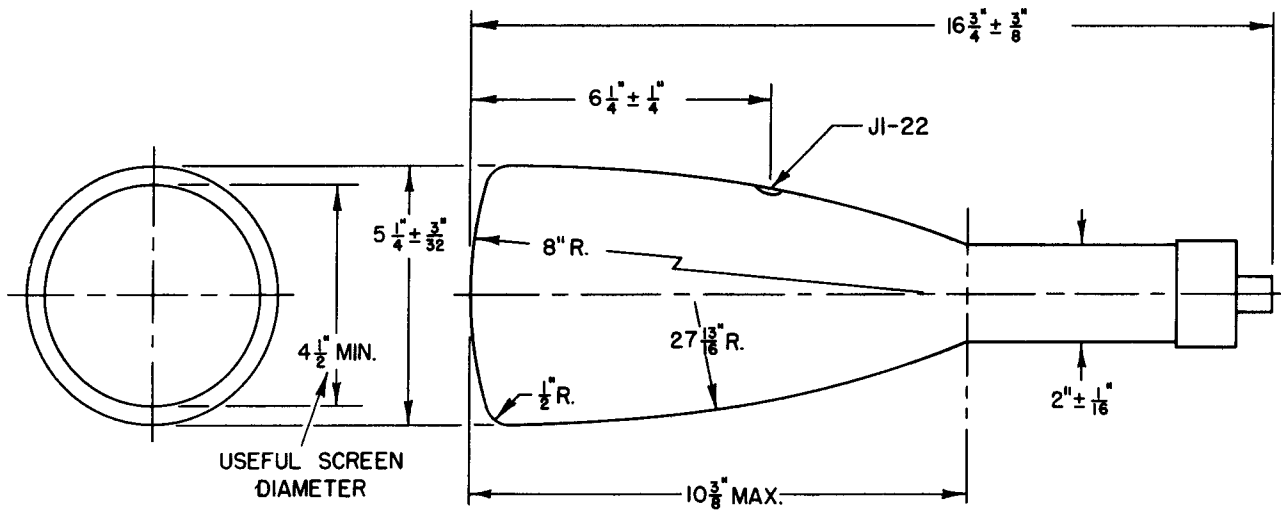
TELEVISION PICTURE TUBE  
DIVISION  
SENECA FALLS, NEW YORK

*Prepared and Released By The  
TECHNICAL PUBLICATIONS SECTION  
EMPORIUM, PENNSYLVANIA*

**SYLVANIA**  
**5CP1A**  
**5CP7A, 5CP11A**  
**5CP12**

**NOTES:**

1. Deflecting Plate 1 is Pin No. 11  
 Deflecting Plate 2 is Pin No. 10  
 Deflecting Plate 3 is Pin No. 7  
 Deflecting Plate 4 is Pin No. 8
2. Visual extinction of undeflected focused spot.
3. Deflecting Plates 1-2 are nearer the screen.
4. Deflecting Plates 3-4 are nearer the base.
5. The plane through the tube axis and each of the following items may vary from the trace produced by deflecting plates 1-2 by the following angular tolerances measured about the tube axis: Pin 5 10 degrees; cap (on same side of tube as Pin 5) 10 degrees.



S53005

**5CP7A**

The Sylvania Type 5CP7A is identical to the Type 5CP1A except it has a blue-white fluorescence, yellow phosphorescence, long persistence phosphor.

**5CP11A**

The Sylvania Type 5CP11A is identical to the Type 5CP1A except it has blue phosphor and a short persistence.

**5CP12**

The Sylvania Type 5CP12 is identical to the Type 5CP1A except it has an orange phosphor and a medium long persistence.