
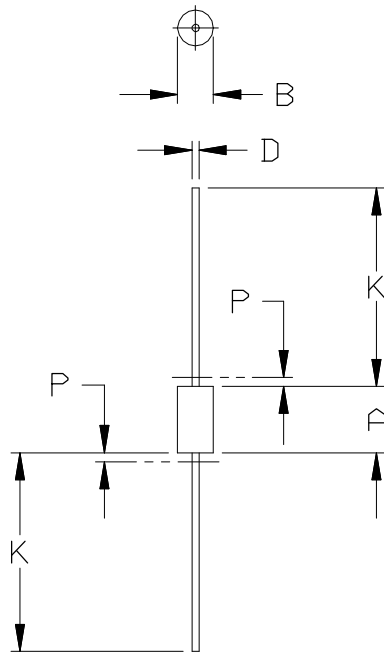


ON Semiconductor 	MECHANICAL OUTLINES DICTIONARY	98ASB42790B	
		PAGE	041A
DO NOT SCALE THIS DWG	ALL APPROVAL SIGNATURES ON FILE IN DOCUMENT CENTRAL	ISSUE D	SHEET 1 OF 2



DIM	MILLIMETERS		INCHES	
	MIN	MAX	MIN	MAX
A	8.50	9.50	0.335	0.374
B	4.80	5.30	0.189	0.209
D	0.96	1.06	0.038	0.042
K	25.40	---	1.000	---
P	---	1.27	---	0.050

NOTES:

1. DIMENSIONING AND TOLERANCING PER ANSI Y14.5M, 1982.
2. CONTROLLING DIMENSION: INCH.
3. LEAD FINISH AND DIAMETER UNCONTROLLED IN DIM P.
4. 041A-01 THRU -03 OBSOLETE, NEW STANDARD 041A-04.

CASE NO.	041A-04
STATUS	ON SEMICONDUCTOR STANDARD
NEW STD	
USED ON	ZL18XXX



ISSUE	REVISION	COORD/ DATE
C	SET UP ELECTRONICALLY. DIM K INCHES MIN WAS 1.000. REQ BY H. KIM	FB 04 JAN 02
D	DIM A WAS: 9.14-9.52 MM/.360-.375 IN. DIM B WAS: 4.83-5.21 MM/.190-.205 IN. DIM D WAS: .97-1.07MM/.038-.042 IN. DIM K WAS: 25.40 MM/1.00 IN. REQ BY F. BLAKLEY	FB 14 JAN 02