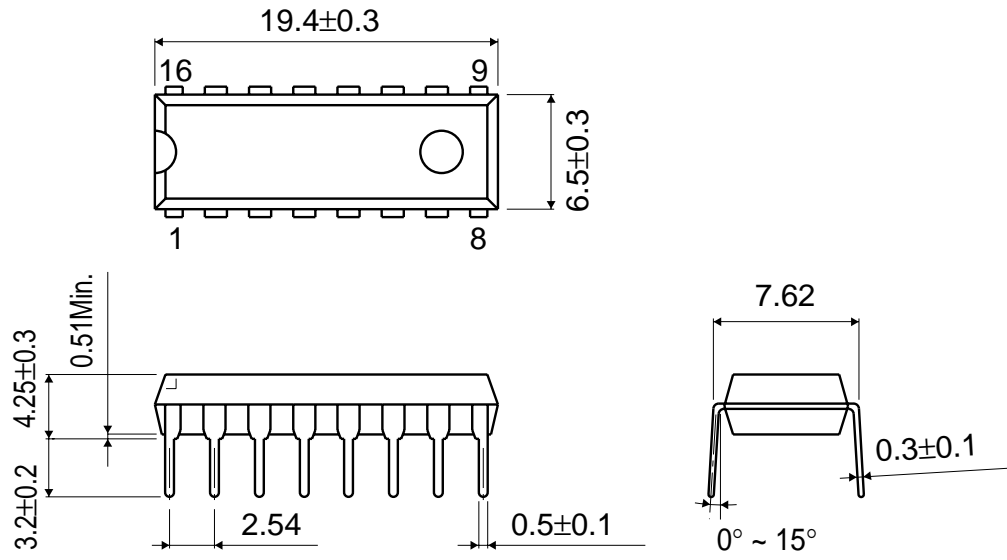


(Units : mm)

## • DIP16



\* The contents described herein are subject to change without notice.