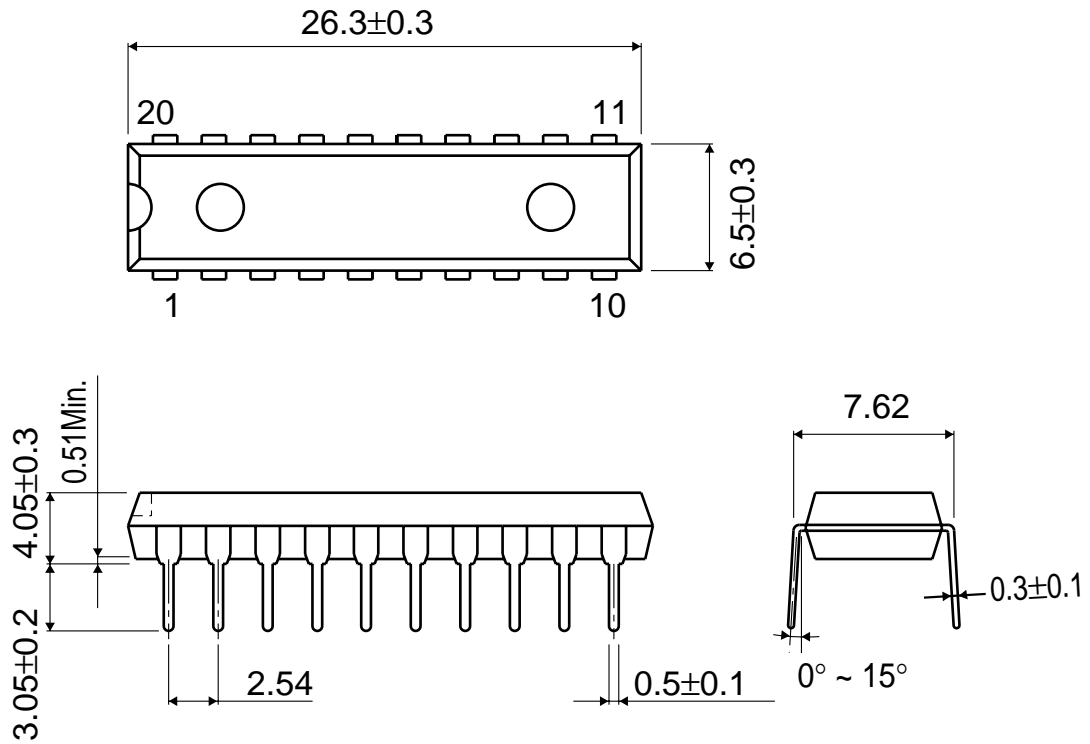


(Units : mm)

**• DIP20**

\* The contents described herein are subject to change without notice.