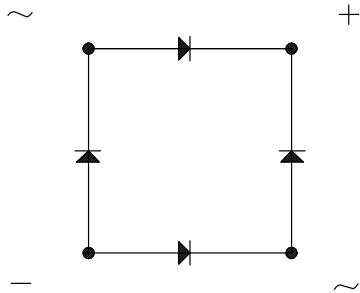
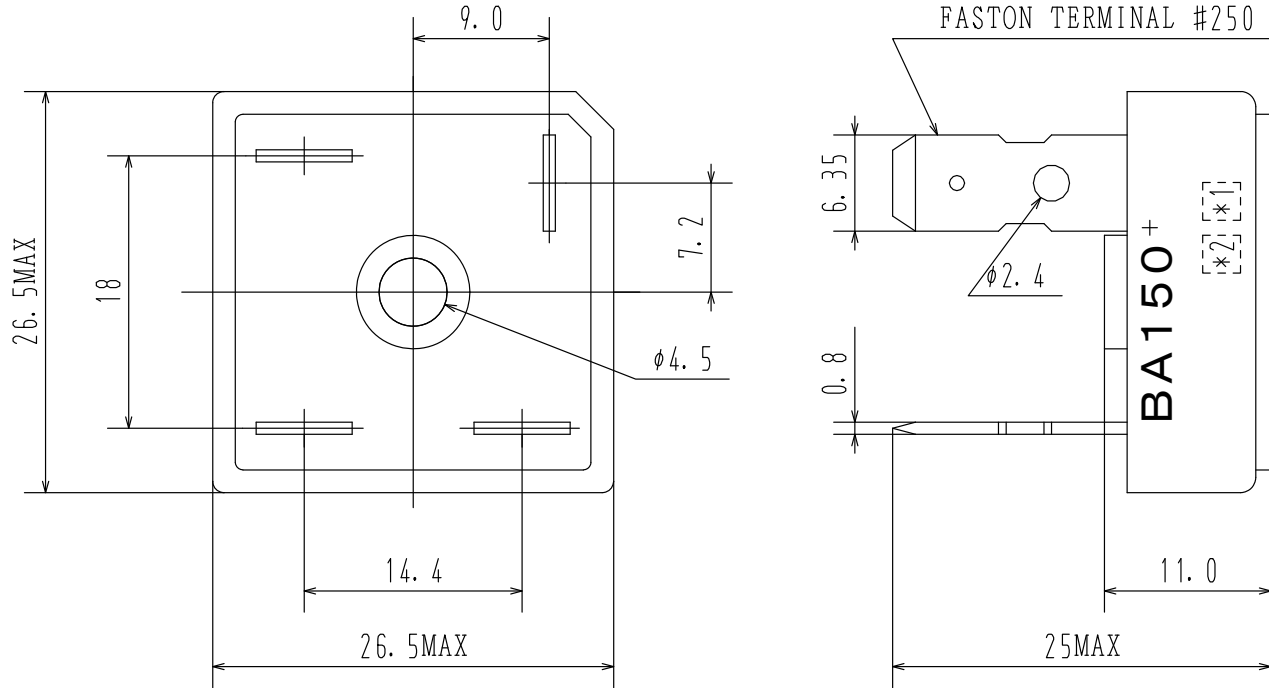


MECHANICAL CASE OUTLINE
PACKAGE DIMENSIONS

GBPC 26.5x26.5 / DBA150
CASE 160AA
ISSUE 0

DATE 30 APR 2012



DOCUMENT NUMBER:	98AON79622E	Electronic versions are uncontrolled except when accessed directly from the Document Repository. Printed versions are uncontrolled except when stamped "CONTROLLED COPY" in red.
STATUS:	ON SEMICONDUCTOR STANDARD	
NEW STANDARD:		
DESCRIPTION:	GBPC 26.5X26.5 / DBA150	PAGE 1 OF 2

