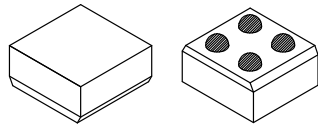


MECHANICAL CASE OUTLINE
PACKAGE DIMENSIONS

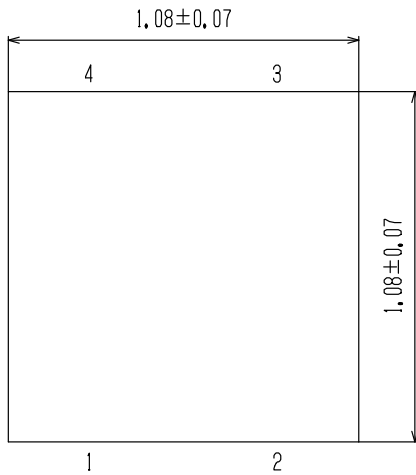
ON Semiconductor®



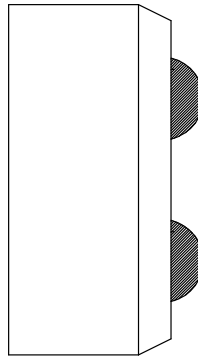
ODCSP4 1.08x1.08
CASE 570AK
ISSUE 0

DATE 31 MAR 2012

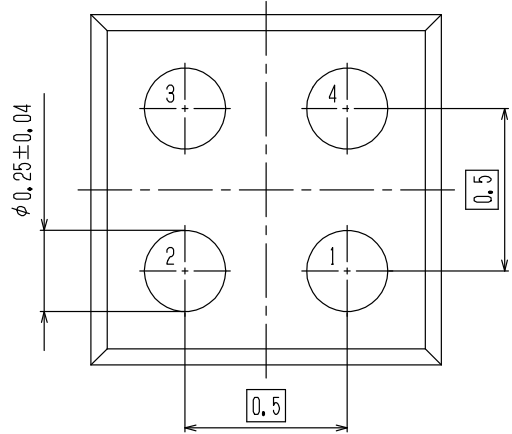
TOP VIEW



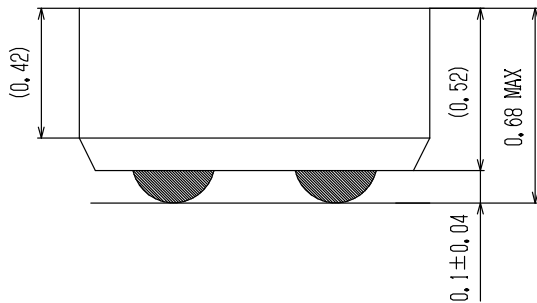
SIDE VIEW



BOTTOM VIEW



SIDE VIEW



DOCUMENT NUMBER:	98AON79094E	Electronic versions are uncontrolled except when accessed directly from the Document Repository. Printed versions are uncontrolled except when stamped "CONTROLLED COPY" in red.
STATUS:	ON SEMICONDUCTOR STANDARD	
NEW STANDARD:		
DESCRIPTION:	ODCSP4 1.08X1.08	PAGE 1 OF 2

