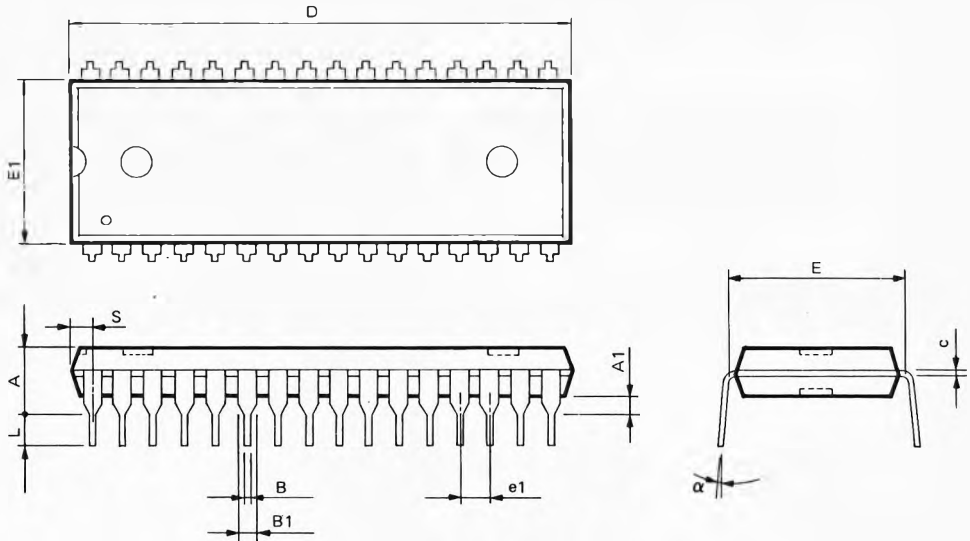


P-DIP 32L Outline Dimension


| Symbol | Dimensions in inch | Dimensions in mm |
|--------|--------------------------|--------------------------|
| A | 0.210 Max. | 5.334 Max. |
| A1 | 0.010 Min. | 0.254 Min. |
| B | 0.018 + 0.004 - 0.002 | 0.457 + 0.102 - 0.051 |
| B1 | 0.050 + 0.004 - 0.002 | 1.270 + 0.102 - 0.051 |
| c | 0.010 + 0.004 - 0.002 | 0.254 + 0.102 - 0.051 |
| D | 1.650 (1.660 Max.) | 41.910 (42.164 Max.) |
| E | 0.600 ± 0.010 | 15.240 ± 0.254 |
| E1 | 0.550 (0.575 Max.) | 13.970 (14.605 Max.) |
| e1 | 0.100 ± 0.010 | 2.540 ± 0.254 |
| L | 0.130 ± 0.010 | 3.302 ± 0.254 |
| α | 0° ~ 15° | 0° ~ 15° |
| S | 0.085 Max. | 2.159 Max. |