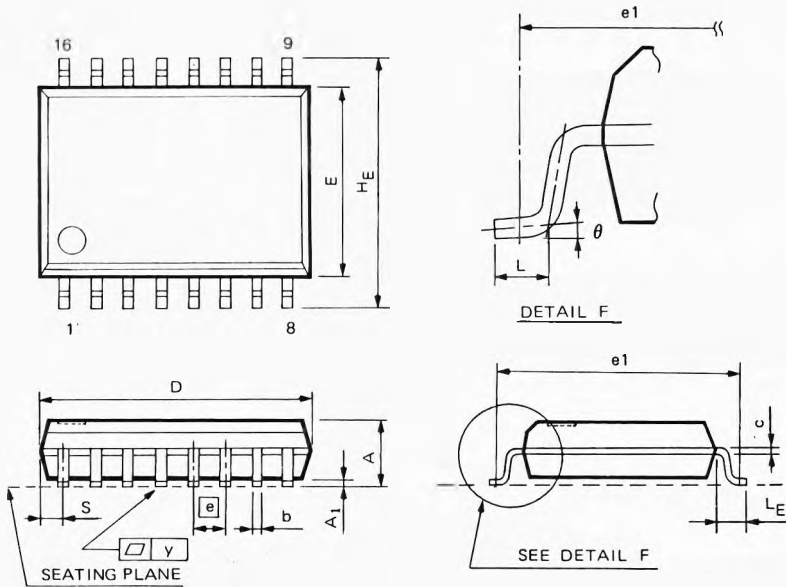


SO 16L Outline Dimension


Symbol	Dimensions in inch	Dimensions in mm
A	0.106 Max.	2.692 Max.
A1	0.004 Min.	0.102 Min.
b	0.016 + 0.004 - 0.002	0.406 + 0.102 - 0.051
c	0.010 + 0.004 - 0.002	0.254 + 0.102 - 0.051
D	0.405 (0.425 Max.)	10.287 (10.795 Max.)
E	0.295 (0.320 Max.)	7.493 (8.128 Max.)
[e]	0.050 ± 0.006	1.270 ± 0.152
e1	0.374 Nor.	9.50 Nor.
H _E	0.406 ± 0.010	10.312 ± 0.254
L	0.032 ± 0.008	0.813 ± 0.203
L _E	0.055 ± 0.008	1.397 ± 0.203
S	0.043 Max.	1.092 Max.
y	0.006 Max.	0.152 Max.
θ	0° ~ 8°	0° ~ 8°