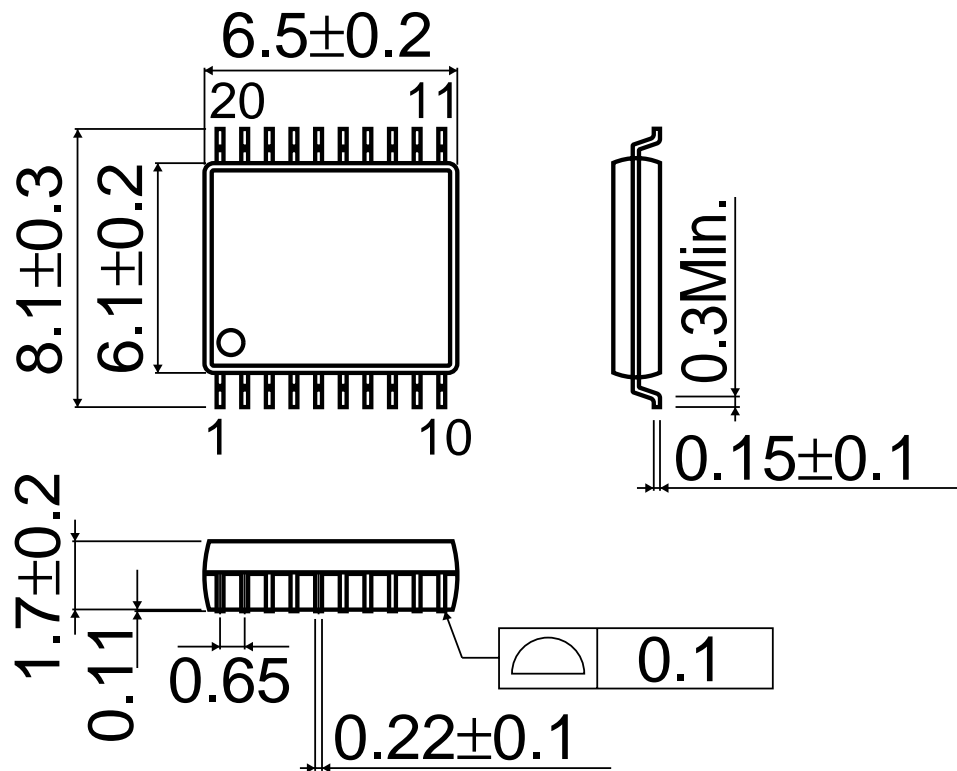


(Units : mm)

• SSOP-B20W



* The contents described herein are subject to change without notice.