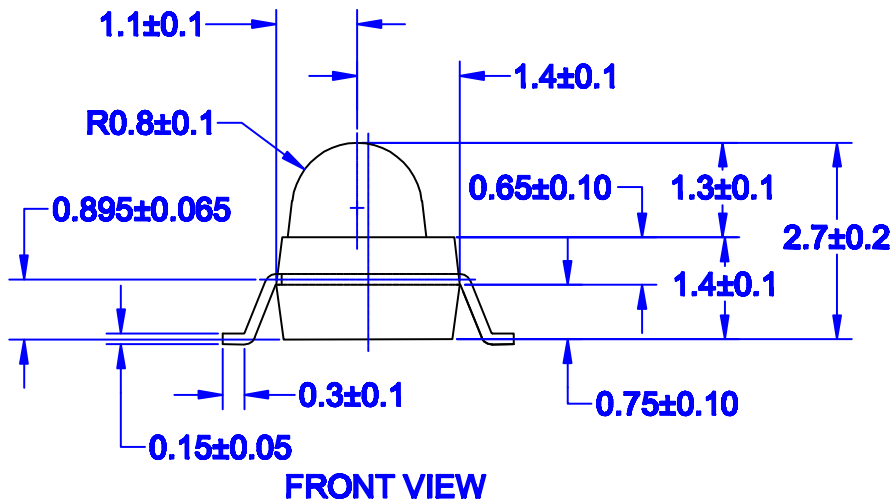
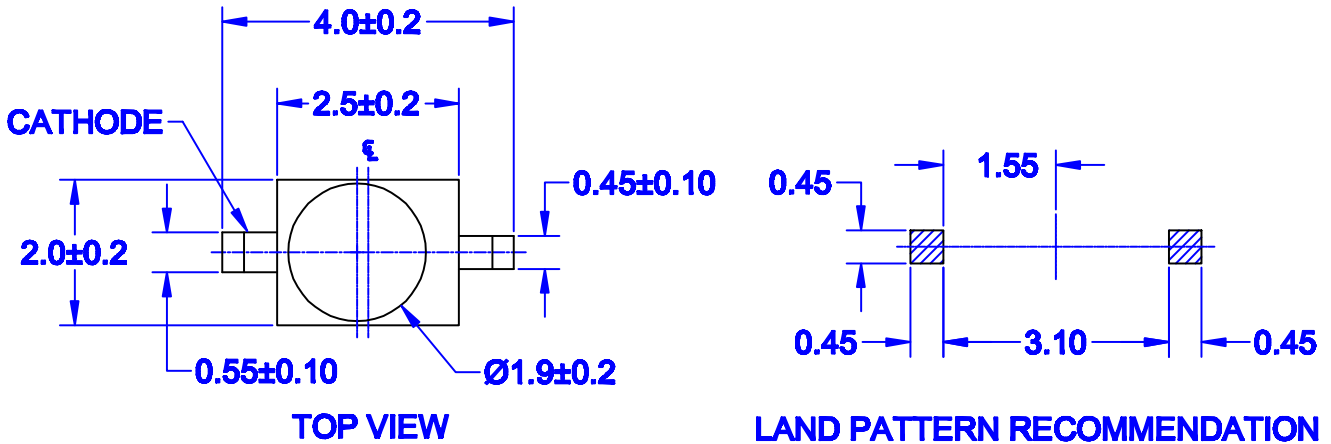




T-3/4, NON JEDEC BODY SIZE 2.0 X 2.5 MM OVERMOUNT
CASE 100CV
ISSUE O

DATE 30 NOV 2016



- NOTES:**
- A. NO INDUSTRY STANDARD APPLIES TO THIS PACKAGE**
 - B. ALL DIMENSIONS ARE IN MILLIMETERS**
 - C. DIMENSIONS DO NOT INCLUDE MOLD FLASH OR BURRS**

DOCUMENT NUMBER:	98AON17798G	Electronic versions are uncontrolled except when accessed directly from the Document Repository. Printed versions are uncontrolled except when stamped "CONTROLLED COPY" in red.
STATUS:	ON SEMICONDUCTOR STANDARD	
NEW STANDARD:		
DESCRIPTION:	T-3/4, NON JEDEC BODY SIZE 2.0 X 2.5 MM OVERMOUNT	PAGE 1 OF 2

