

New Jersey Semi-Conductor Products, Inc.

20 STERN AVE.
SPRINGFIELD, NEW JERSEY 07081
U.S.A.

TELEPHONE: (973) 376-2922
(212) 227-6005
FAX: (973) 376-8960

Untitled

2N593

Bidirectional Transistor - Pt 125mW, V_{CB0} 40V, I_{CB0} 5.0uA, h_{fe} 80typ, C_{ob} 35p typ, NF 16db, fab 600k min

Various
npn transistors, pnp transistors, transistors

V_{(BR)CEO} (V)=30

V_{(BR)CBO} (V)=40

Absolute Max. Power Diss. (W)=125m

I_{(CBO) Max.} (A)=5.0u

@V_(CBO) (V) (Test Condition)=5.0

h_{(FE) Min.} Static Current Gain=30

h_{(FE) Max.} Current gain.=50

@I_(C) (A) (Test Condition)=1.0m

@V_(CE) (V) (Test Condition)=500m

f_{(T) Min.} (Hz) Transition Freq=600k

@I_(C) (A) (Test Condition)=1.0m

@V_(CE) (V) (Test Condition)=5.0

Semiconductor Material=Germanium

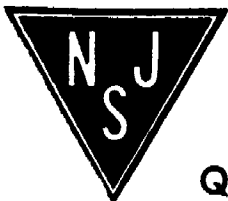
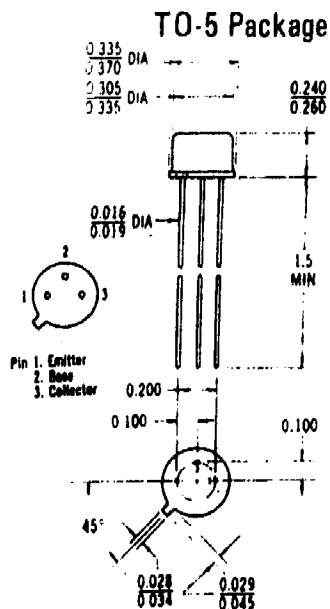
Structure NPN/PNP=PNP

C_(obo) (Max) (F)=35p

@V_(CB) (V) (Test Condition)=5.0

Package=TO-5

2N593
Germanium PNP
N/A
npn transistors, pnp transistors, transistors
Category: Germanium Transistor, PNP Transistor, Transistor
MHZ: >0.6 MHZ
Volts: 40V



Quality Semi-Conductors