

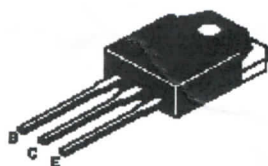
New Jersey Semi-Conductor Products, Inc.

20 STERN AVE.
SPRINGFIELD, NEW JERSEY 07081
U.S.A.

TELEPHONE: (973) 376-2922
(212) 227-6005
FAX: (973) 376-8960

NPN TRIPLE DIFFUSED PLANAR SILICON TRANSISTOR

BU508A



**TO- 3PN Non Isolated
Plastic Package**

Color TV Horizontal Output Application (No Damper Diode)

ABSOLUTE MAXIMUM RATINGS ($T_a=25^{\circ}\text{C}$ Unless Specified Otherwise)

DESCRIPTION	SYMBOL	VALUE	UNIT
Collector -Base Voltage	V_{CBO}	1500	V
Collector -Emitter Voltage	V_{CEO}	700	V
Emitter Base Voltage	V_{EBO}	5.0	V
Collector Current	I_C	5	A
Total Power Dissipation up to $T_c=25^{\circ}\text{C}$	P_{tot}	50	W
Junction Temperature	T_j	150	$^{\circ}\text{C}$
Storage Temperature	T_{stg}	- 55 to +150	$^{\circ}\text{C}$

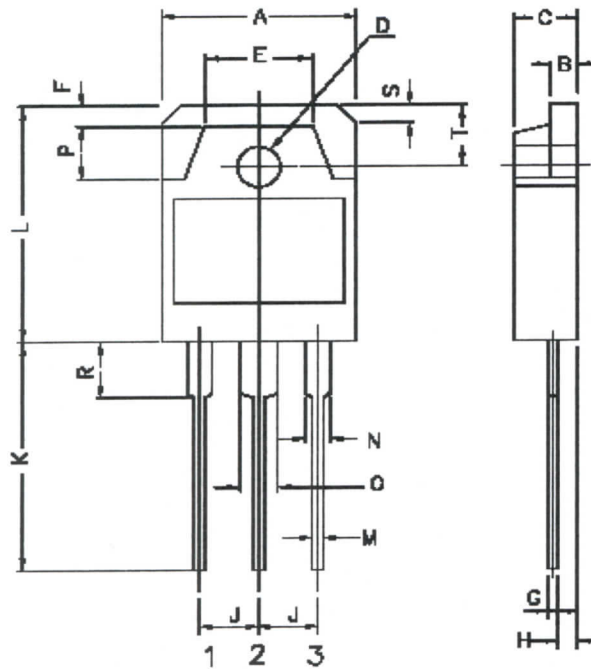
ELECTRICAL CHARACTERISTICS ($T_a=25^{\circ}\text{C}$ Unless Specified Otherwise)

DESCRIPTION	SYMBOL	TEST CONDITION	MIN	TYP	MAX	UNIT
Collector Cut off Current	I_{CEO}	$V_{CE}=800\text{V}, I_B=0$			1.0	mA
Collector Cut off Current	I_{CBO}	$V_{CB}=800\text{V}, I_E=0$			100.0	μA
Emitter Cut off Current	I_{EBO}	$V_{EB}=4\text{V}, I_C=0$			1.0	mA
Collector Emitter Voltage	V_{CEO}	$I_C=50\text{mA}, I_B=0$	160			V
DC Current Gain	h_{FE}	$I_C=1\text{A}, V_{CE}=5\text{V}$	8			
Collector Emitter Saturation Voltage	$V_{CE(sat)}$	$I_C=5\text{A}, I_B=1\text{A}$			5.0	V



NJ Semi-Conductors reserves the right to change test conditions, parameter limits and package dimensions without notice. Information furnished by NJ Semi-Conductors is believed to be both accurate and reliable at the time of going to press. However, NJ Semi-Conductors assumes no responsibility for any errors or omissions discovered in its use. NJ Semi-Conductors encourages customers to verify that datasheets are current before placing orders.

TO-3PN Plastic Package

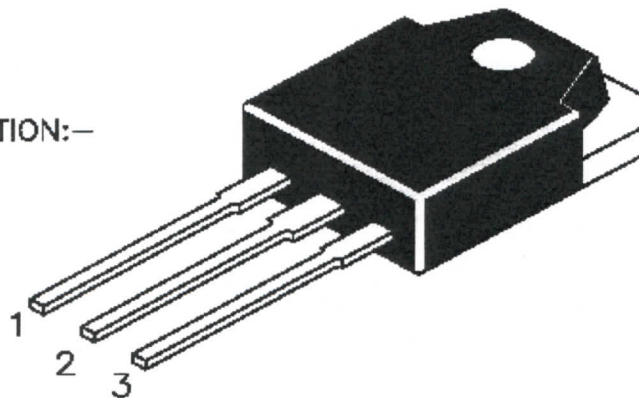


DIM	MIN	MAX
A	15.2	16.0
B	1.9	2.1
C	4.6	5.0
D	3.1	3.3
E	-	9.6
F	-	2.0
G	0.55	0.85
H	-	1.4
J	5.35	5.55
K	20.0	-
L	19.6	20.2
M	0.95	1.25
N	-	2.0
O	-	3.0
P	-	4.0
R	-	4.0
S	-	1.8
T	4.8	5.2

ALL DIMENSIONS ARE IN M.M.

PIN CONFIGURATION:-

1. BASE
2. COLLECTOR
3. EMITTER



Packing Detail

PACKAGE	STANDARD PACK		INNER CARTON BOX		OUTER CARTON BOX		
	Detail	Net Weight/Qty.	Size	Qty.	Size	Qty.	Gr. Wt.
TO-3PN	100pcs/polybag	639gm/100pcs	3"X7.5"X7.5"	0.3K	18"X15"X9"	3K	21kgs

