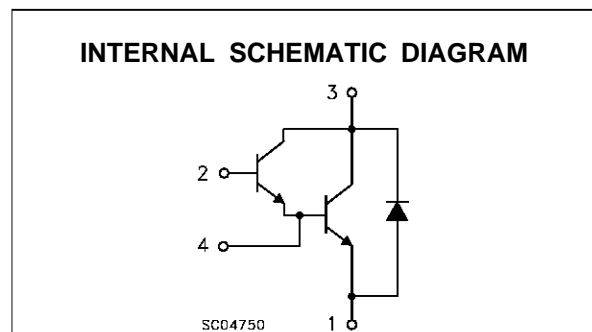
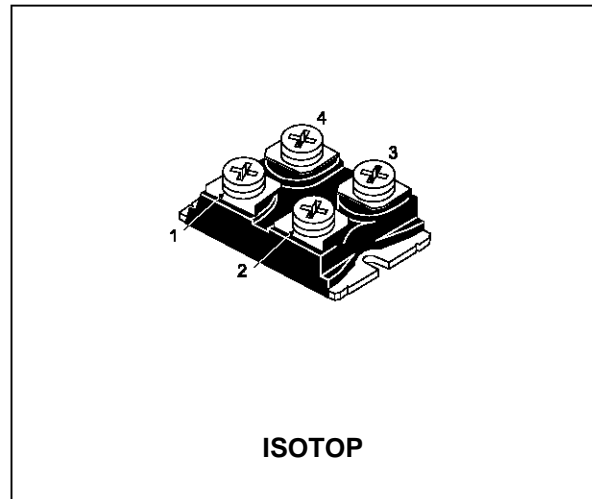


## NPN DARLINGTON POWER MODULE

- HIGH CURRENT POWER BIPOLAR MODULE
- VERY LOW  $R_{th}$  JUNCTION CASE
- SPECIFIED ACCIDENTAL OVERLOAD AREAS
- ULTRAFAST FREEWHEELING DIODE
- ISOLATED CASE (2500V RMS)
- EASY TO MOUNT
- LOW INTERNAL PARASITIC INDUCTANCE

### INDUSTRIAL APPLICATIONS:

- MOTOR CONTROL
- SMPS & UPS
- DC/DC & DC/AC CONVERTERS
- WELDING EQUIPMENT



### ABSOLUTE MAXIMUM RATINGS

Symbol	Parameter	Value	Unit
$V_{CEV}$	Collector-Emitter Voltage ( $V_{BE} = -5$ V)	400	V
$V_{CEO(sus)}$	Collector-Emitter Voltage ( $I_B = 0$ )	300	V
$V_{EBO}$	Emitter-Base Voltage ( $I_C = 0$ )	7	V
$I_C$	Collector Current	100	A
$I_{CM}$	Collector Peak Current ( $t_p = 10$ ms)	150	A
$I_B$	Base Current	5	A
$I_{BM}$	Base Peak Current ( $t_p = 10$ ms)	10	A
$P_{tot}$	Total Dissipation at $T_c = 25$ °C	225	W
$T_{stg}$	Storage Temperature	-55 to 150	°C
$T_j$	Max. Operating Junction Temperature	150	°C
$V_{ISO}$	Insulation Withstand Voltage (AC-RMS)	2500	°C

# ESM3030DV

## THERMAL DATA

$R_{thj-case}$	Thermal Resistance Junction-case (transistor)	Max	0.55	$^{\circ}C/W$
$R_{thj-case}$	Thermal Resistance Junction-case (diode)	Max	1.2	$^{\circ}C/W$
$R_{thc-h}$	Thermal Resistance Case-heatsink With Conductive Grease Applied	Max	0.05	$^{\circ}C/W$

## ELECTRICAL CHARACTERISTICS ( $T_{case} = 25^{\circ}C$ unless otherwise specified)

Symbol	Parameter	Test Conditions	Min.	Typ.	Max.	Unit
$I_{CER}$ #	Collector Cut-off Current ( $R_{BE} = 5 \Omega$ )	$V_{CE} = V_{CEV}$ $V_{CE} = V_{CEV} \quad T_j = 100^{\circ}C$			1.5 16	mA mA
$I_{CEV}$ #	Collector Cut-off Current ( $V_{BE} = -5$ )	$V_{CE} = V_{CEV}$ $V_{CE} = V_{CEV} \quad T_j = 100^{\circ}C$			1 11	mA mA
$I_{EBO}$ #	Emitter Cut-off Current ( $I_C = 0$ )	$V_{EB} = 5 V$			1	mA
$V_{CEO(SUS)}$ *	Collector-Emitter Sustaining Voltage	$I_C = 0.2 A \quad L = 25 mH$ $V_{clamp} = 300 V$	300			V
$h_{FE}$ *	DC Current Gain	$I_C = 85 A \quad V_{CE} = 5 V$		300		
$V_{CE(sat)}$ *	Collector-Emitter Saturation Voltage	$I_C = 60 A \quad I_B = 0.6 A$ $I_C = 60 A \quad I_B = 0.6 A \quad T_j = 100^{\circ}C$ $I_C = 85 A \quad I_B = 2.4 A$ $I_C = 85 A \quad I_B = 2.4 A \quad T_j = 100^{\circ}C$		1.25 1.4 1.5 1.8	1.8 2.2	V V V V
$V_{BE(sat)}$ *	Base-Emitter Saturation Voltage	$I_C = 85 A \quad I_B = 2.4 A$ $I_C = 85 A \quad I_B = 2.4 A \quad T_j = 100^{\circ}C$		2.4 2.5	3	V V
$di/dt$	Rate of Rise of On-state Collector	$V_{CC} = 300 V \quad R_C = 0 \quad t_p = 3 \mu s$ $I_{B1} = 0.9 A \quad T_j = 100^{\circ}C$	330	430		A/ $\mu s$
$V_{CE(3 \mu s)}$ •	Collector-Emitter Dynamic Voltage	$V_{CC} = 300 V \quad R_C = 5 \Omega$ $I_{B1} = 0.9 A \quad T_j = 100^{\circ}C$		3	6	V
$V_{CE(5 \mu s)}$ •	Collector-Emitter Dynamic Voltage	$V_{CC} = 300 V \quad R_C = 5 \Omega$ $I_{B1} = 0.9 A \quad T_j = 100^{\circ}C$		2.2	4	V
$t_s$ $t_f$ $t_c$	Storage Time Fall Time Cross-over Time	$I_C = 60 A \quad V_{CC} = 50 V$ $V_{BB} = -5 V \quad R_{BB} = 0.6 \Omega$ $V_{clamp} = 300 V \quad I_{B1} = 0.6 A$ $L = 0.04 mH \quad T_j = 100^{\circ}C$		2.3 0.35 0.8	3.5 0.6 1.2	$\mu s$ $\mu s$ $\mu s$
$V_{CEW}$	Maximum Collector Emitter Voltage Without Snubber	$I_{CWoff} = 100 A \quad I_{B1} = 2.4 A$ $V_{BB} = -5 V \quad V_{CC} = 50 V$ $L = 25 \mu H \quad R_{BB} = 0.6 \Omega$ $T_j = 125^{\circ}C$	300			V
$V_F$ *	Diode Forward Voltage	$I_F = 85 A \quad T_j = 100^{\circ}C$		1.2	1.55	V
$I_{RM}$	Reverse Recovery Current	$V_{CC} = 200 V \quad I_F = 85 A$ $di_F/dt = -330 A/\mu s \quad L < 50 nH$ $T_j = 100^{\circ}C$		18	25	A

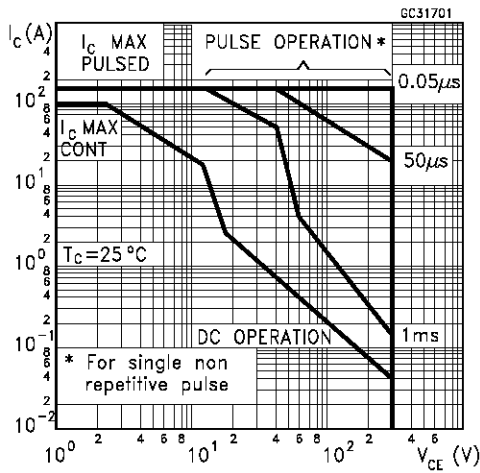
\* Pulsed: Pulse duration = 300  $\mu s$ , duty cycle 1.5 %

# See test circuits in databook introduction

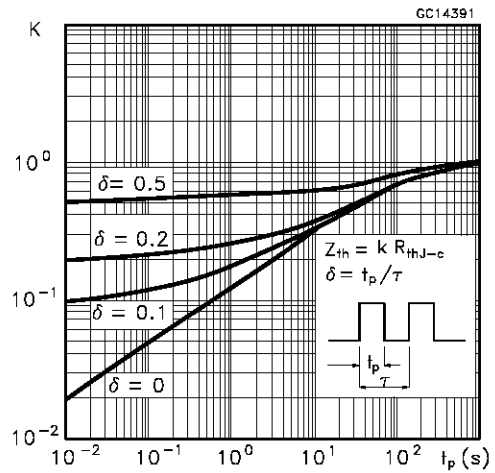
To evaluate the conduction losses of the diode use the following equations:

$$V_F = 1.1 + 0.0045 I_F \quad P = 1.1 I_{F(AV)} + 0.0045 I_{F(RMS)}^2$$

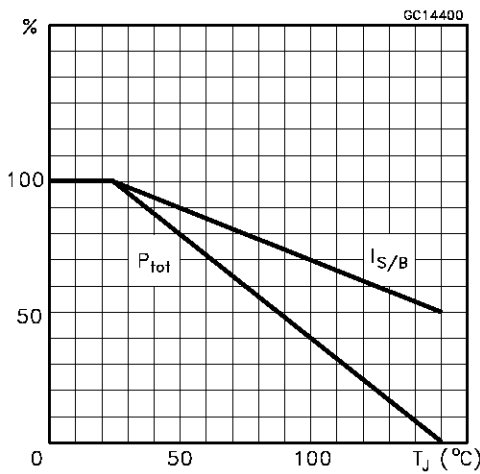
Safe Operating Areas



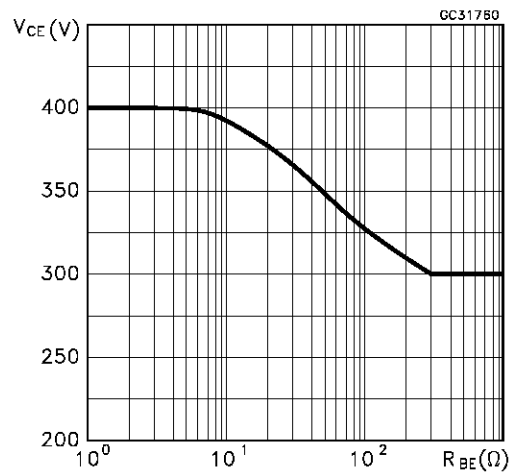
Thermal Impedance



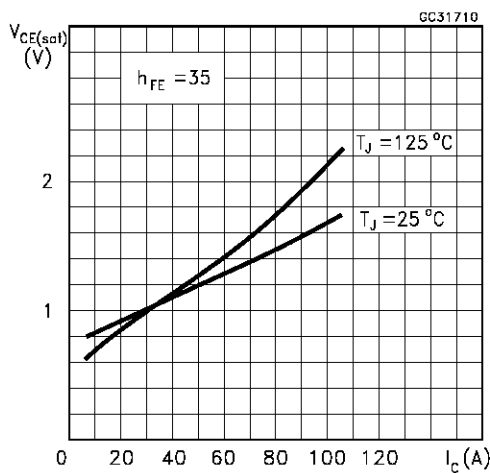
Derating Curve



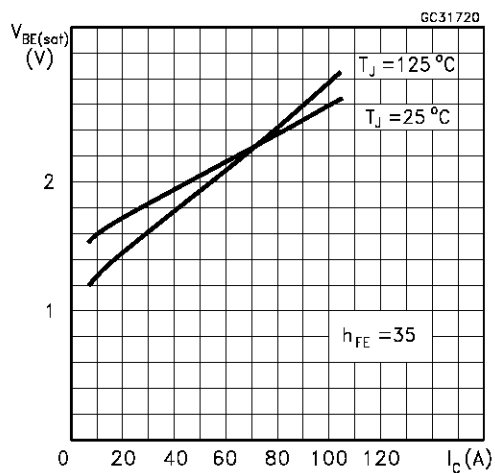
Collector-emitter Voltage Versus base-emitter Resistance



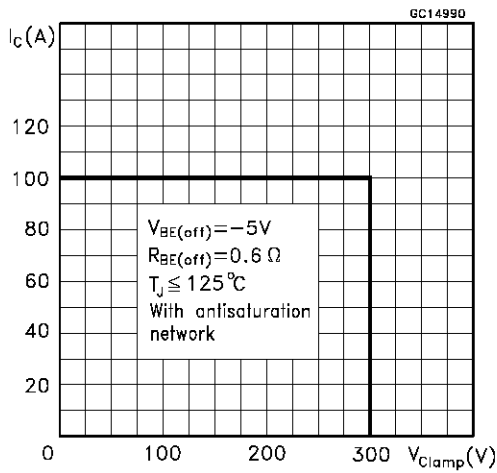
Collector Emitter Saturation Voltage



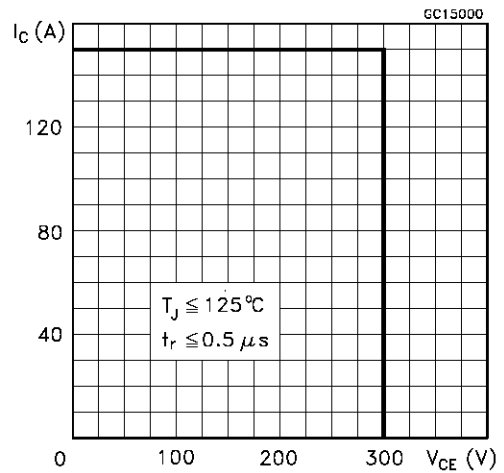
Base-Emitter Saturation Voltage



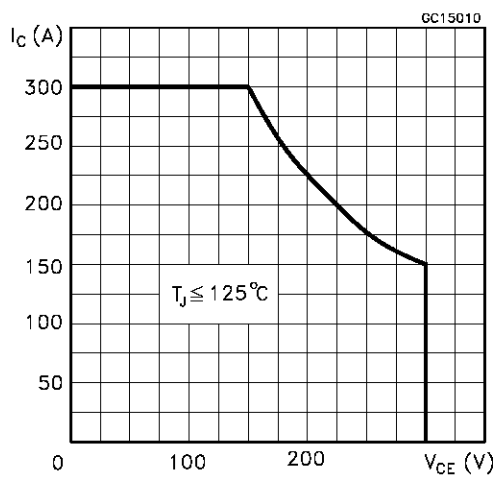
Reverse Biased SOA



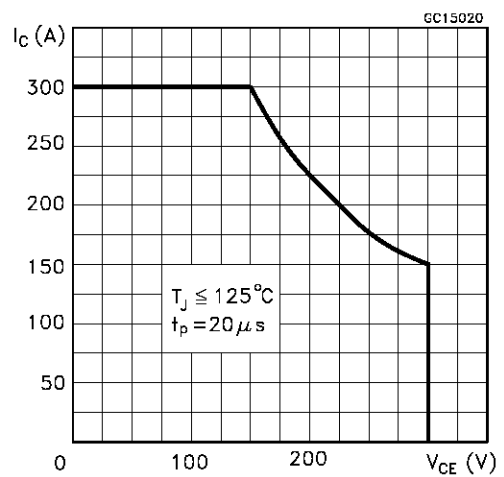
Forward Biased SOA



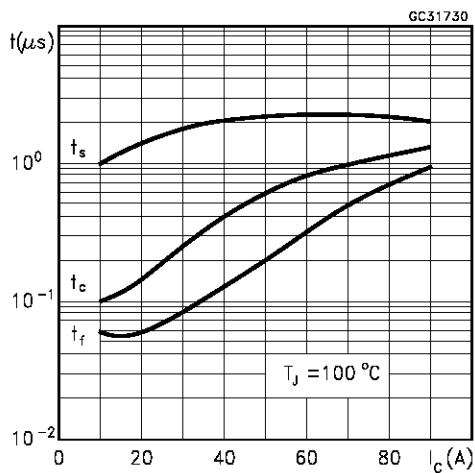
Reverse Biased AOA



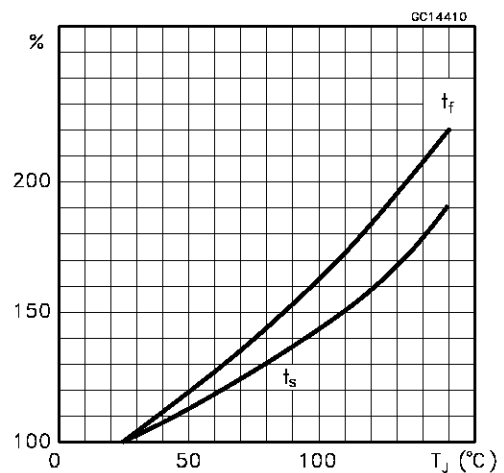
Forward Biased AOA



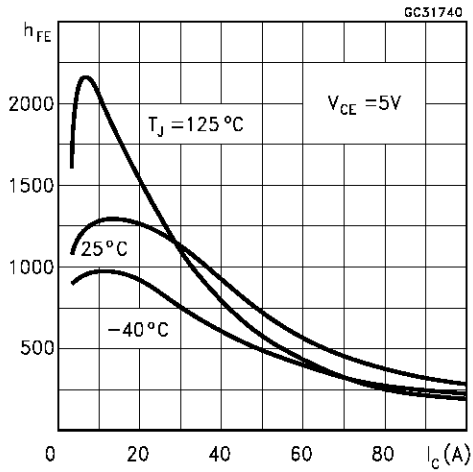
Switching Times Inductive Load



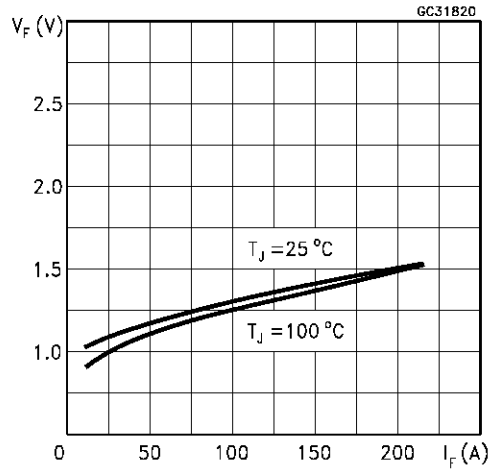
Switching Times Inductive Load Versus Temperature



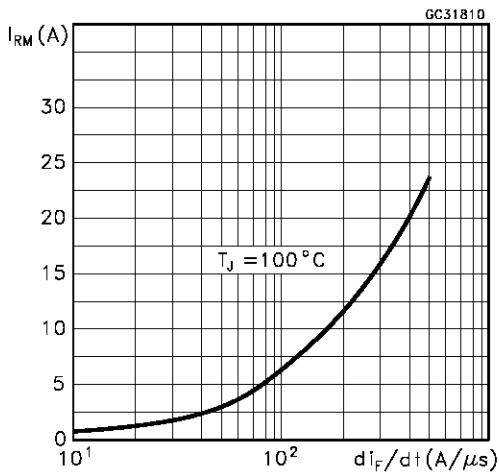
Dc Current Gain



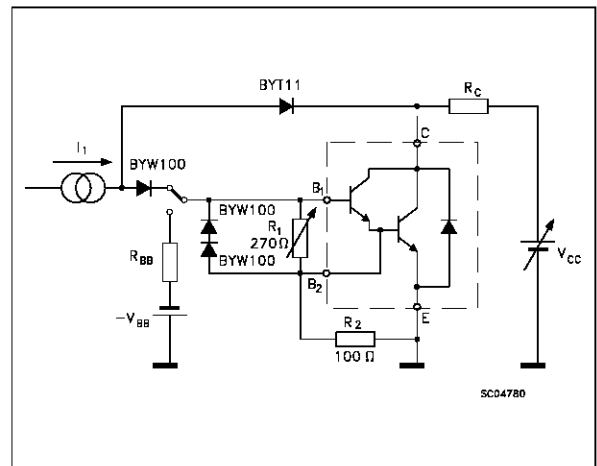
Typical  $V_F$  Versus  $I_F$



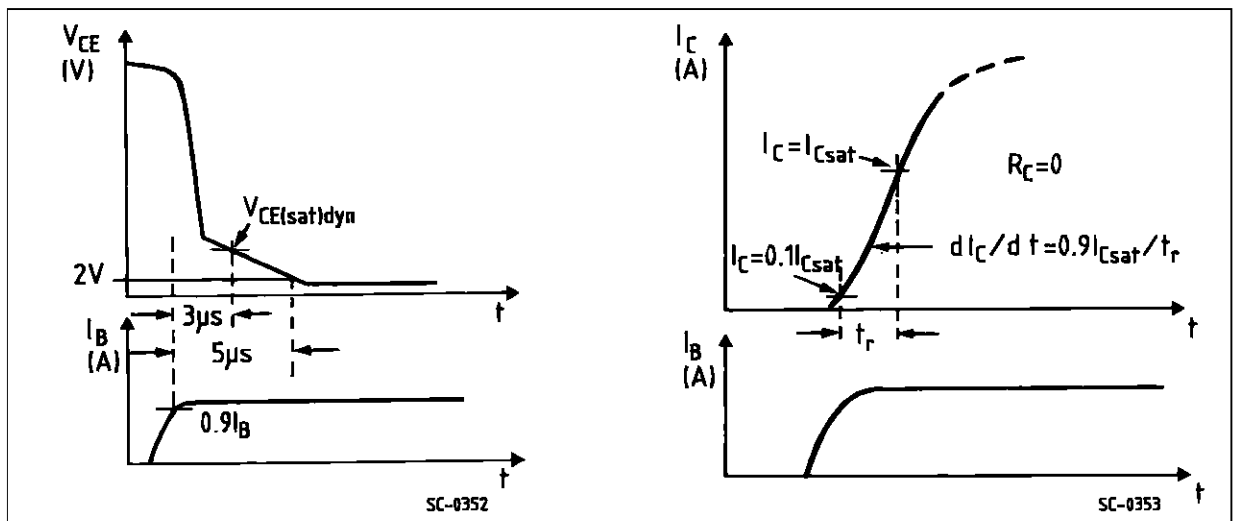
Peak Reverse Current Versus  $di_F/dt$



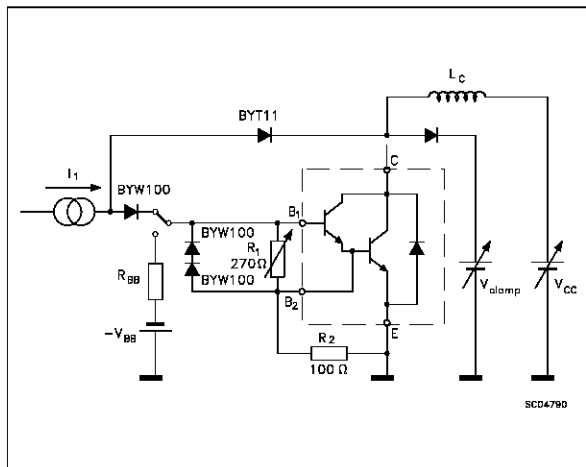
Turn-on Switching Test Circuit



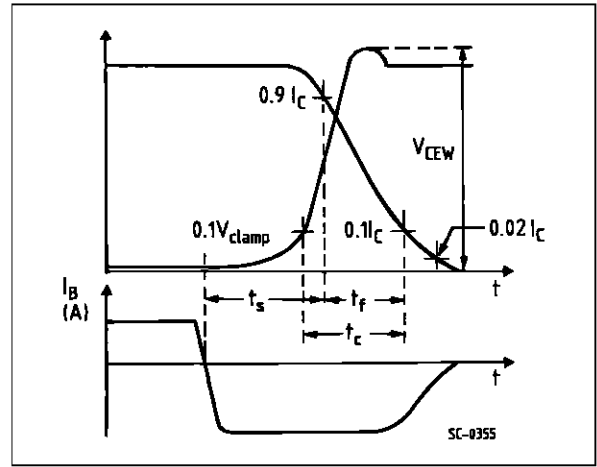
Turn-on Switching Waveforms



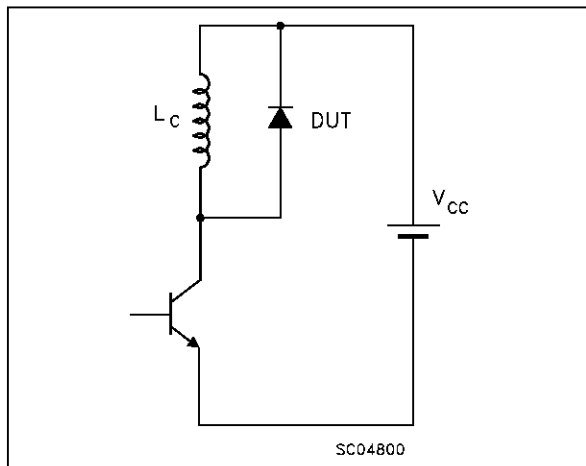
Turn-on Switching Test Circuit



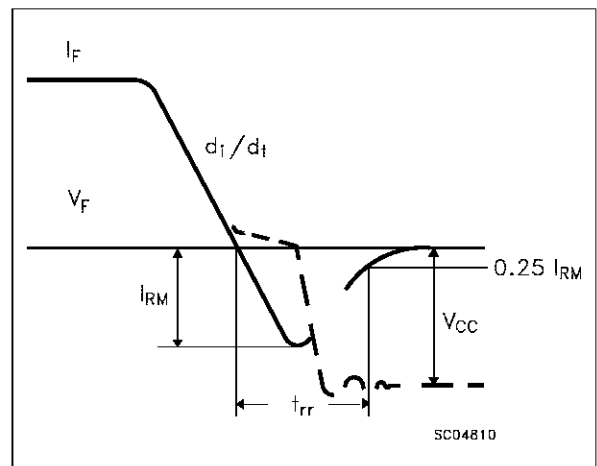
Turn-off Switching Waveforms



Turn-off Switching Test Circuit of Diode

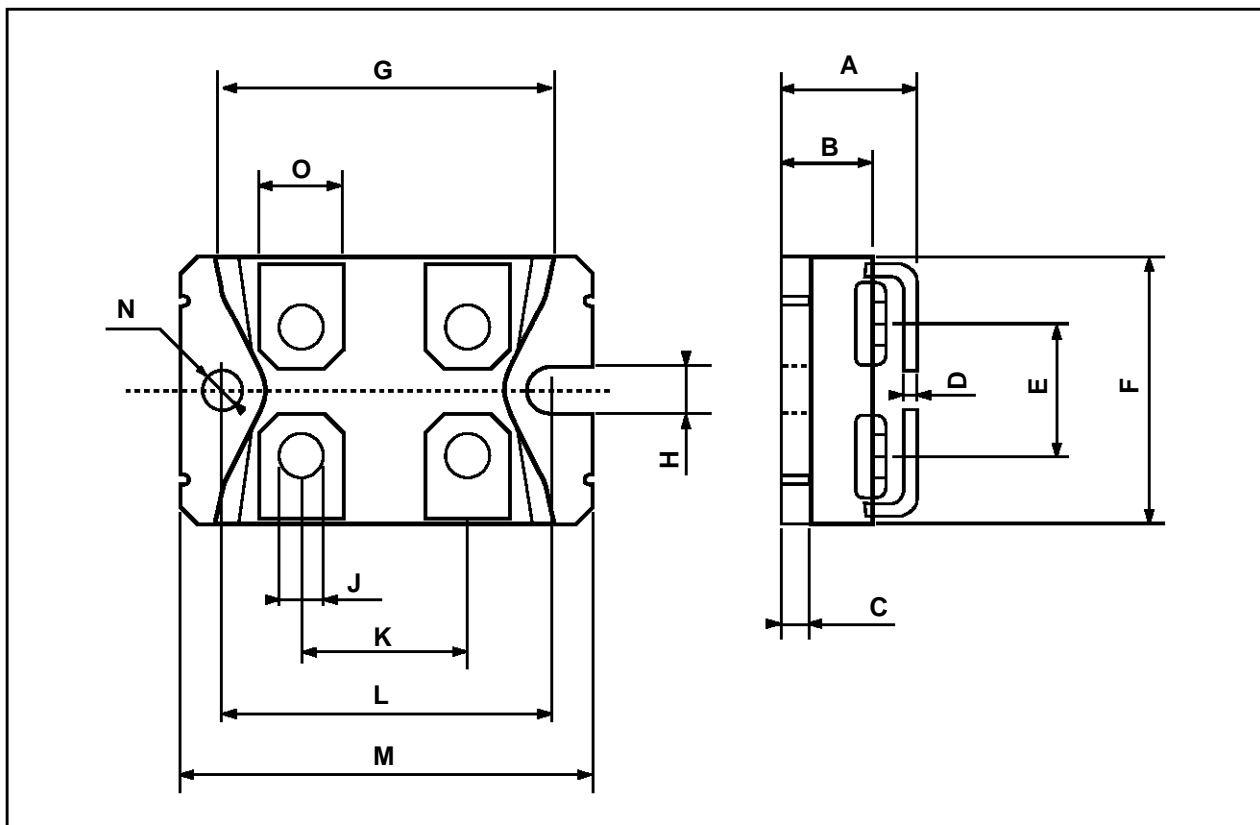


Turn-off Switching Waveform of Diode



## ISOTOP MECHANICAL DATA

DIM.	mm			inch		
	MIN.	TYP.	MAX.	MIN.	TYP.	MAX.
A	11.8		12.2	0.466		0.480
B	8.9		9.1	0.350		0.358
C	1.95		2.05	0.076		0.080
D	0.75		0.85	0.029		0.033
E	12.6		12.8	0.496		0.503
F	25.15		25.5	0.990		1.003
G	31.5		31.7	1.240		1.248
H	4			0.157		
J	4.1		4.3	0.161		0.169
K	14.9		15.1	0.586		0.594
L	30.1		30.3	1.185		1.193
M	37.8		38.2	1.488		1.503
N	4			0.157		
O	7.8		8.2	0.307		0.322



Information furnished is believed to be accurate and reliable. However, SGS-THOMSON Microelectronics assumes no responsibility for the consequences of use of such information nor for any infringement of patents or other rights of third parties which may result from its use. No license is granted by implication or otherwise under any patent or patent rights of SGS-THOMSON Microelectronics. Specifications mentioned in this publication are subject to change without notice. This publication supersedes and replaces all information previously supplied. SGS-THOMSON Microelectronics products are not authorized for use as critical components in life support devices or systems without express written approval of SGS-THOMSON Microelectronics.

© 1997 SGS-THOMSON Microelectronics - Printed in Italy - All Rights Reserved

SGS-THOMSON Microelectronics GROUP OF COMPANIES  
Australia - Brazil - Canada - China - France - Germany - Hong Kong - Italy - Japan - Korea - Malaysia - Malta - Morocco - The Netherlands -  
Singapore - Spain - Sweden - Switzerland - Taiwan - Thailand - United Kingdom - U.S.A  
...