

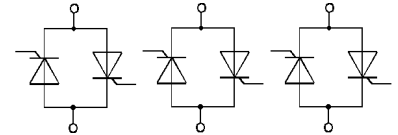
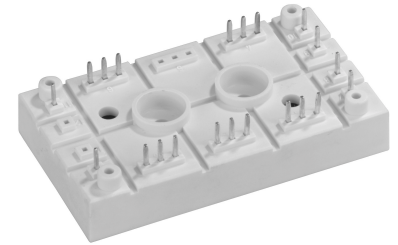
V_{RSM}	V_{RRM} V_{DRM}	I_{RMS} (maximum values for continuous operation) ($T_h = 85\text{ °C}$) 105 A
V	V	
1300 1700	1200 1600	SKUT 115/12 SKUT 115/16

SEMIPONT™ 5 Three phase antiparallel Thyristor Module

SKUT 115

Preliminary Data

Symbol	Conditions	SKUT 115	Units
I_{RMS}	W3C; sin 180°; $T_h = 85\text{ °C}$	105	A
I_{TSM}	$T_{vj} = 25\text{ °C}$; 10 ms $T_{vj} = 125\text{ °C}$; 10 ms	– 1 250	A A
i^2t	$T_{vj} = 25\text{ °C}$; 8,3...10 ms $T_{vj} = 125\text{ °C}$; 8,3...10 ms	– 7 800	A^2s A^2s
t_{gd} t_{gr}	$T_{vj} = 25\text{ °C}$; $I_G = 1\text{ A}$; $di_G/dt = 1\text{ A}/\mu s$ $V_D = 0,67 V_{DRM}$	1 2	μs μs
$(dv/dt)_{cr}$ $(di/dt)_{cr}$	$T_{vj} = 125\text{ °C}$ $T_{vj} = 125\text{ °C}$; $f = 50...60\text{ Hz}$	500 50	$V/\mu s$ $A/\mu s$
t_q	$T_{vj} = 125\text{ °C}$; typ.	150	μs
I_H	$T_{vj} = 25\text{ °C}$; typ. / max	250	mA
I_L	$T_{vj} = 25\text{ °C}$; $R_G = 33\ \Omega$; typ. / max.	600	mA
V_T $V_{T(TO)}$	$T_{vj} = 25\text{ °C}$; $I_T = 150\text{ A max.}$ $T_{vj} = 125\text{ °C}$	1,6 0,9	V V
r_T	$T_{vj} = 125\text{ °C}$	5	m Ω
I_{DD} ; I_{RD}	$T_{vj} = 25\text{ °C}$ } $V_{DD} = V_{DRM}$ $T_{vj} = 125\text{ °C}$ } $V_{RD} = V_{RRM}$	1 20	mA mA
V_{GT} I_{GT} V_{GD} I_{GD}	$T_{vj} = 25\text{ °C}$; dc $T_{vj} = 25\text{ °C}$; dc $T_{vj} = 125\text{ °C}$; dc $T_{vj} = 125\text{ °C}$; dc	3 150 0,25 6	V mA V mA
R_{thjh}	sin. 180° per thyristor per W3C	0,6 –	K/W K/W
T_{vj} T_{stg} T_{solder}	terminals, 10 s	– 40 ... + 125 – 40 ... + 125 260	$^{\circ}C$ $^{\circ}C$ $^{\circ}C$
V_{isol} $M_{1,2}$ w	a.c. 50 Hz; r.m.s. 1 s/1 min mounting torque, SI units	3000 / 2500 2,5 75	V~ Nm g
Case		G 62	



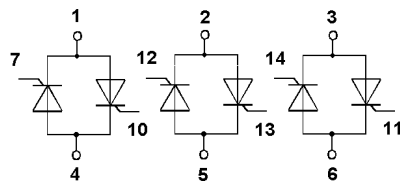
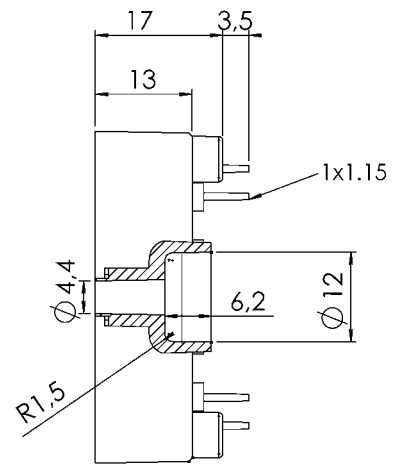
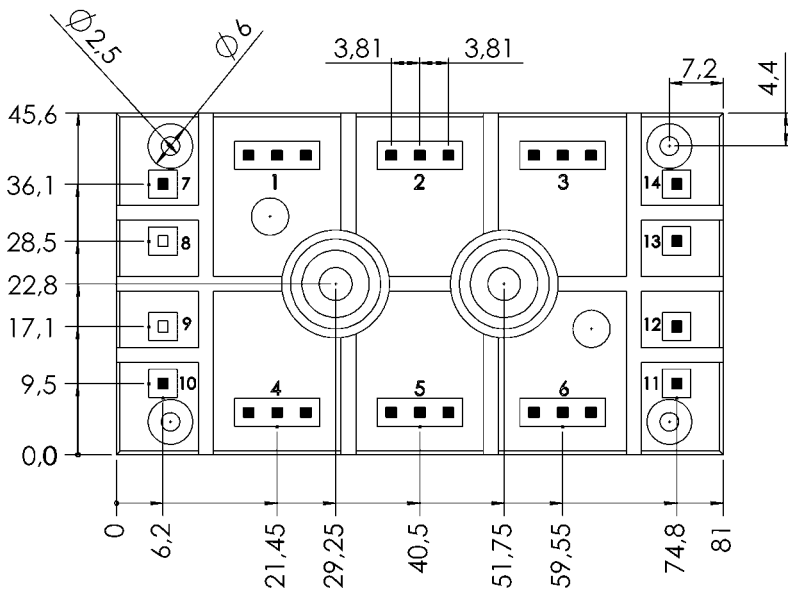
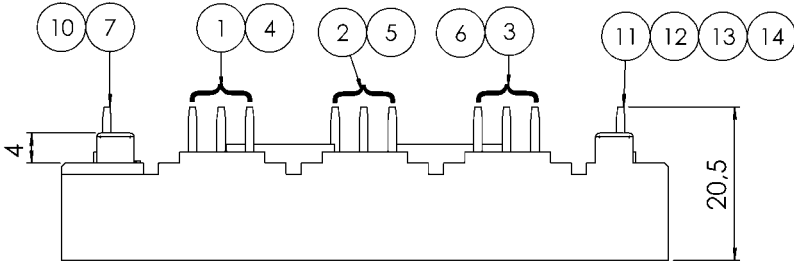
Features

- Compact design
- Two screws mounting
- Heat transfer and isolation through direct copper board (low R_{th})
- Low resistance in Steady- state and high reliability
- High surge currents
- Glass passivated thyristor chips
- Up to 1600 V reverse voltage
- UL recognized, file no. E 63 532
- Temperature sensor available on request (characteristics same as in SEMIPONT 6)

Typical Applications

- Soft AC motor starters
- Professional Light control (studios, theatres,...)
- Temperature control (e.g. for ovens, chemical processes)

SEMIPONT™ 5
SKUT 115
 Case G 62



Dimensions in mm

This technical information specifies semiconductor devices but promises no characteristics. No warranty or guarantee expressed or implied is made regarding delivery, performance or suitability.