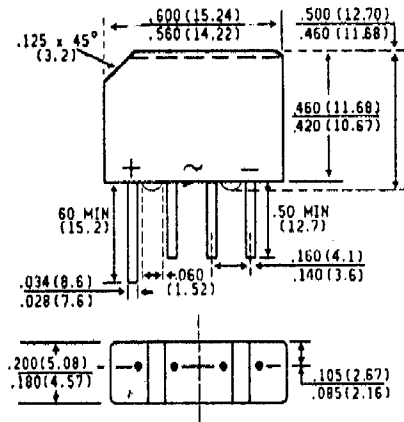


3N253 THRU 3N259

MINIATURE GLASS PASSIVATED SINGLE - PHASE SILICON BRIDGE RECTIFIER
VOLTAGE - 50 to 1000 Volts CURRENT - 2.0 Amperes

FEATURES



Dimensions in inches
and
millimeters

MECHANICAL DATA

Case: Reliable low cost construction utilizing molded plastic technique

Terminals: Plated Lead solderable per MIL-STD-202, Method 208

Mounting position: Any

Weight: 0.06 ounce, 1.70 grams

MAXIMUM RATINGS AND ELECTRICAL CHARACTERISTICS

Ratings at 25°C ambient temperature unless otherwise specified.
60 Hz Resistive or inductive load.

	SYMBOLS	3N253	3N254	3N255	3N256	3N257	3N258	3N259	UNITS
* Maximum Recurrent Peak Reverse Voltage	V _{RRM}	50	100	200	400	600	800	1000	Volts
* Maximum RMS Voltage	V _{RMS}	35	70	140	280	420	560	700	Volts
* Maximum DC Blocking Voltage	V _{DC}	50	100	200	400	600	800	1000	Volts
* Maximum Average Forward Output Rectified Current at T _A = 55°C	I _(AV)				2.0				Amps
* Peak Forward Surge Current Single sine-wave superimposed on rated load (JEDEC Method)	I _{FSM}				60.0				Amps
Rating for fusing (t < 8.35ms)	I _t				15.0				A ² s
* Maximum Instantaneous Forward Voltage drop per element at 3.14A	V _F				1.1				Volts
* Maximum DC Reverse Current T _A = 25°C at Rated DC Blocking Voltage per element T _A = -125°C	I _R				10.0				μA
Typical Junction Capacitance per element (Note 1)	C _J				25.0				pf
Typical Thermal Resistance (Note 2)	R _{θJA}				30.0				°C/W
* Operating and Storage Temperature Range,	T _J , T _{STG}				-55 to +165				°C

