

Triacs

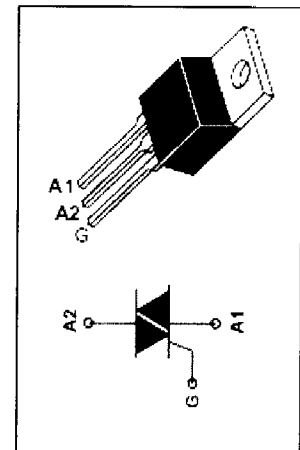
TIC246M

FEATURES

- With TO-220 package
- Sensitive Gate Triacs
- Glass Passivated
- Max I_{GT} of 50 mA (Quadrants 1~3)

ABSOLUTE MAXIMUM RATINGS(Ta=25°C)

SYMBOL	PARAMETER	MIN	UNIT
V_{DRM}	Repetitive peak off-state voltage	600	V
V_{RRM}	Repetitive peak reverse voltage	600	V
$I_{T(RMS)}$	RMS on-state current (full sine wave) $T_C=70^\circ C$	16	A
I_{TSM}	Non-repetitive peak on-state current	125	A
T_j	Operating junction temperature	110	°C
T_{stg}	Storage temperature	-45~125	°C
$R_{th(j-c)}$	Thermal resistance, junction to case	1.9	°C/W
$R_{th(j-a)}$	Thermal resistance, junction to ambient	62.5	°C/W



ELECTRICAL CHARACTERISTICS (Tc=25°C unless otherwise specified)

SYMBOL	PARAMETER	CONDITIONS	TYP.	MAX	UNIT	
I_{DRM}	Repetitive peak off-state current	$V_D=V_{DRM}, T_C=110^\circ C$		2.0	mA	
I_{GT}	Gate trigger current	$V_{supply} = 12 V; R_L = 10 \Omega; t_{p(g)} > 20 \mu s$	I	12	50	mA
			II	19	50	
			III	16	50	
			IV	34		
I_H	Holding current	$V_{supply} = 12 V; I_G = 0$ initial $I_{TM}=100mA$		40	mA	
V_{GT}	Gate trigger voltage all quadrant	$V_{supply} = 12 V; R_L = 10 \Omega; t_{p(g)} > 20 \mu s$		2	V	
V_{TM}	On-state voltage	$I_T = 22.5A; I_G = 50mA$		1.7	V	

NJ Semi-Conductors reserves the right to change test conditions, parameter limits and package dimensions without notice. Information furnished by NJ Semi-Conductors is believed to be both accurate and reliable at the time of going to press. However, NJ Semi-Conductors assumes no responsibility for any errors or omissions discovered in its use. NJ Semi-Conductors encourages customers to verify that datasheets are current before placing orders.

