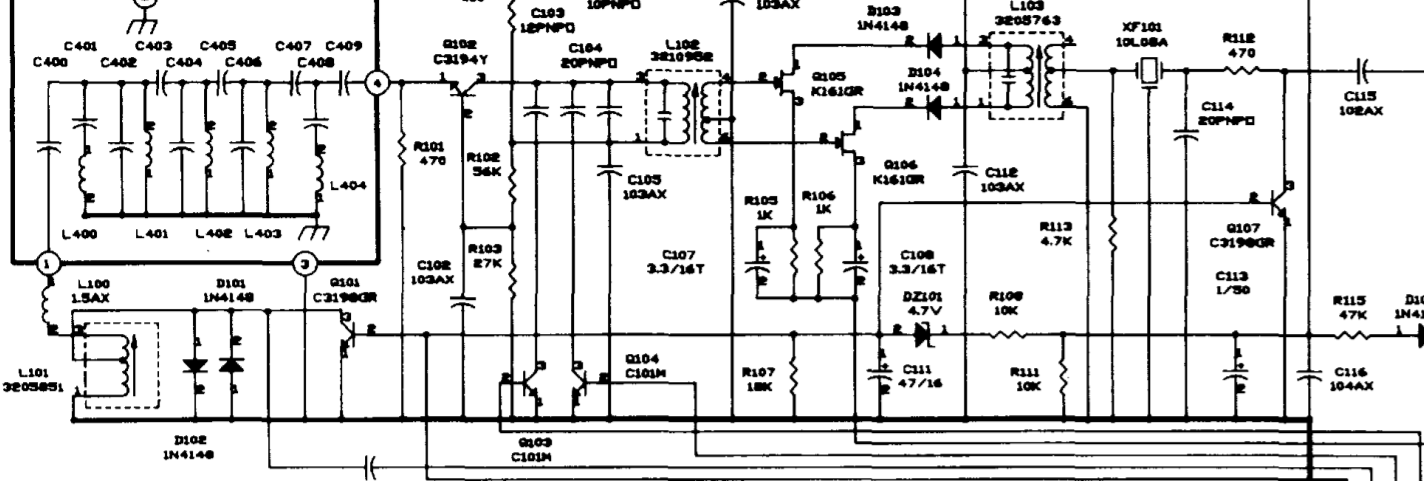
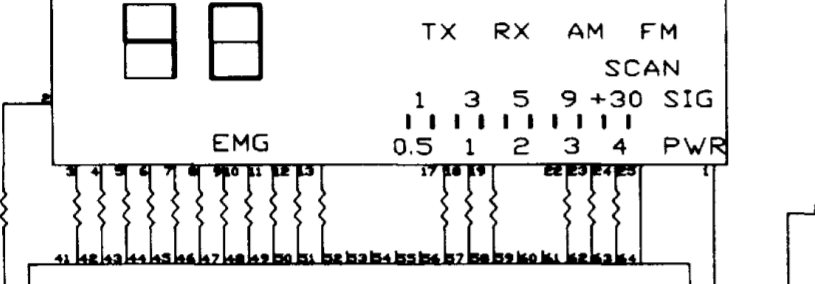


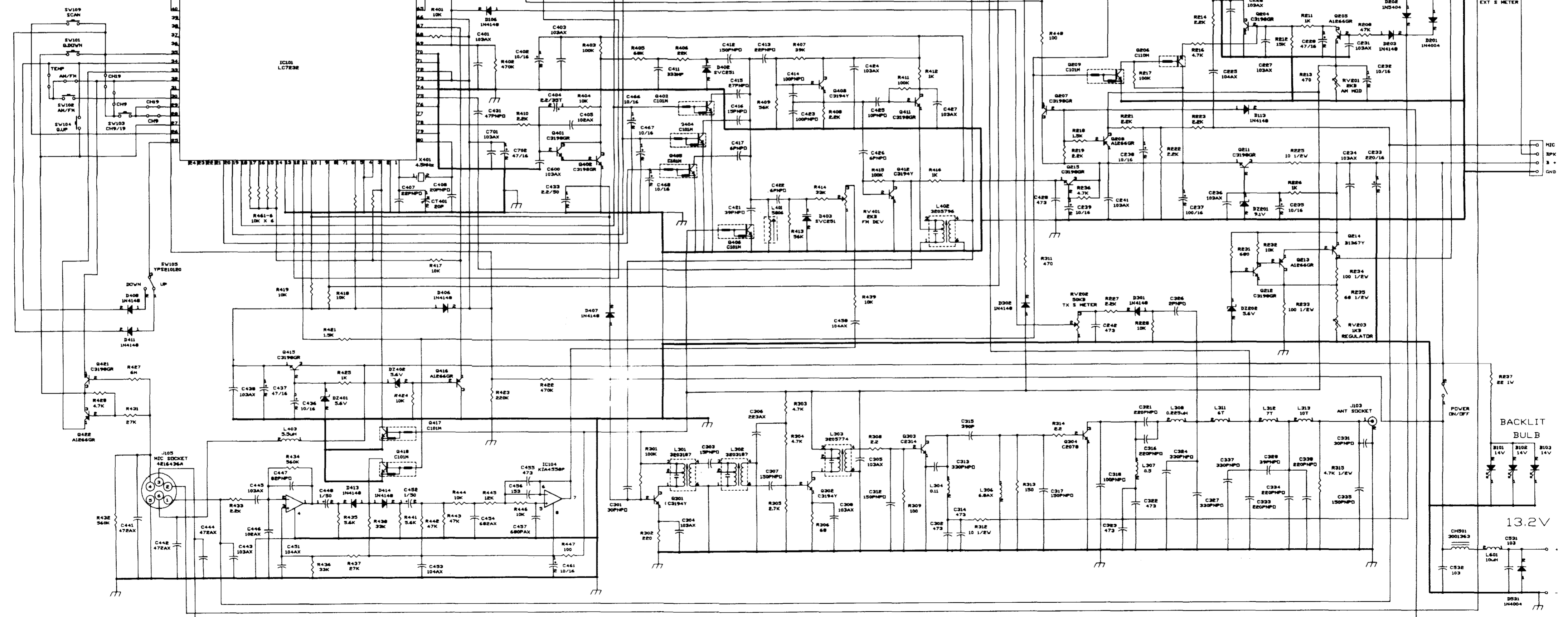
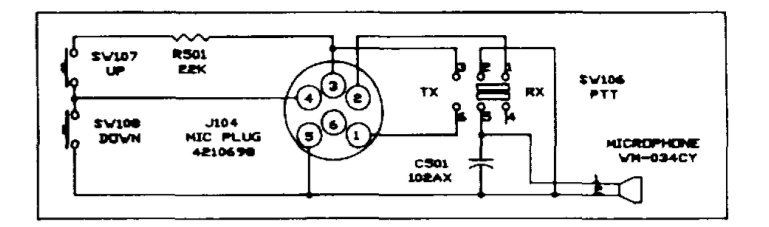
BAND PASS MODULE



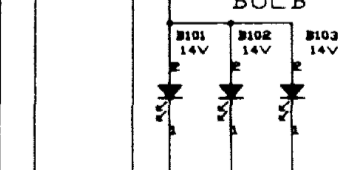
LCD DISPLAY



MIC UNIT



BACKLIT BULB



13.2V