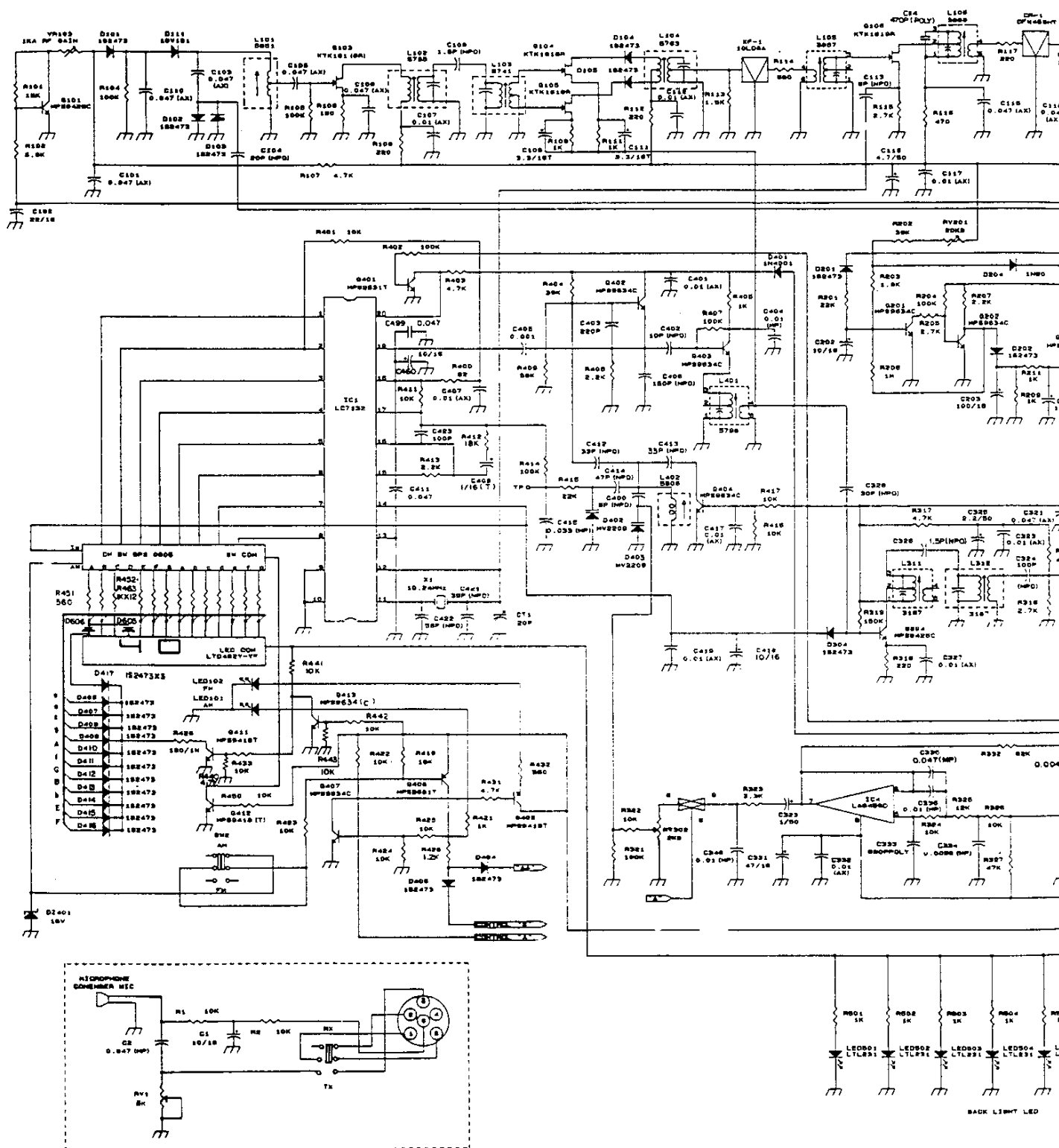
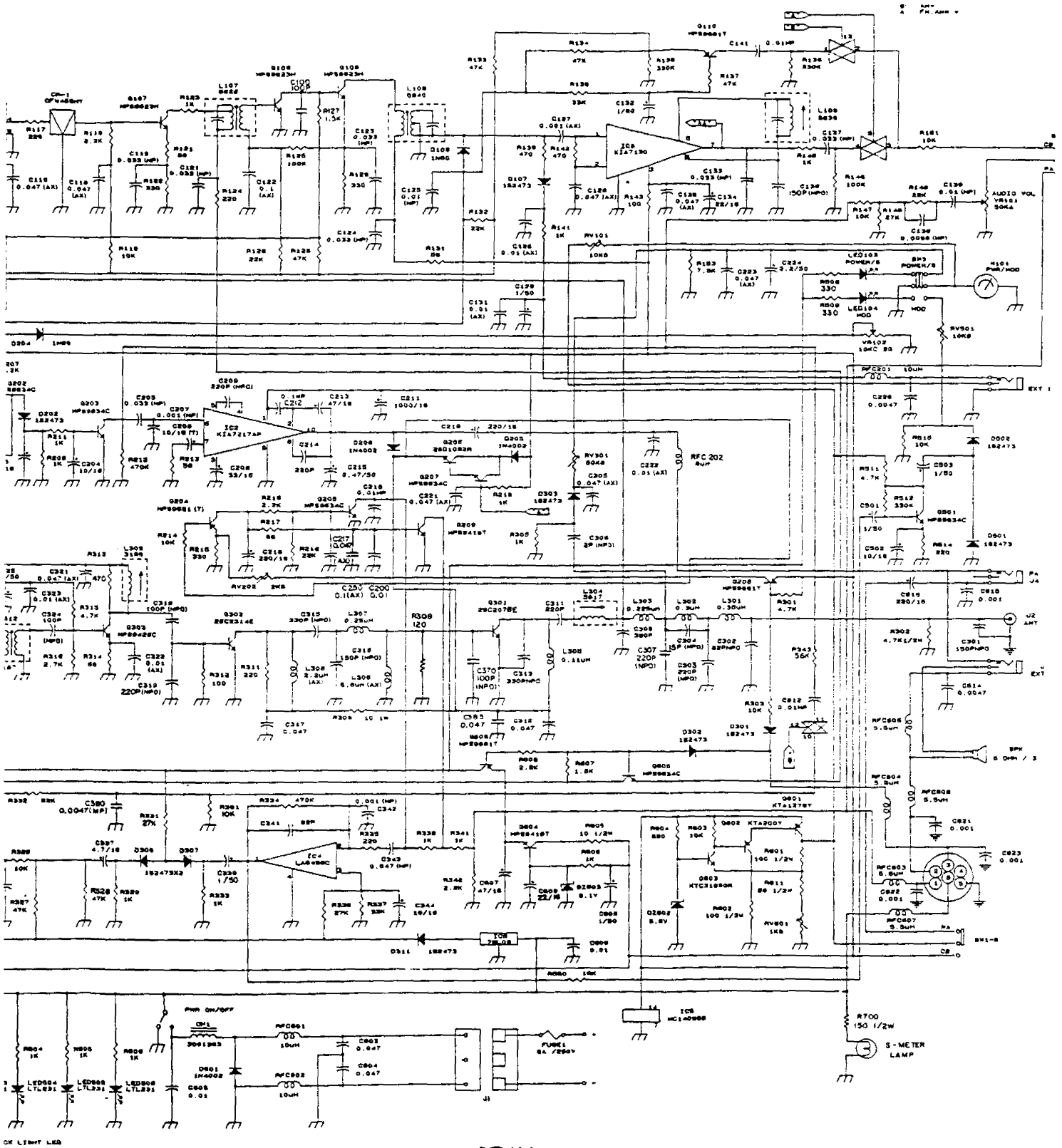


Schematic



Automatic Diagram



AE4600
Z112052 Pd