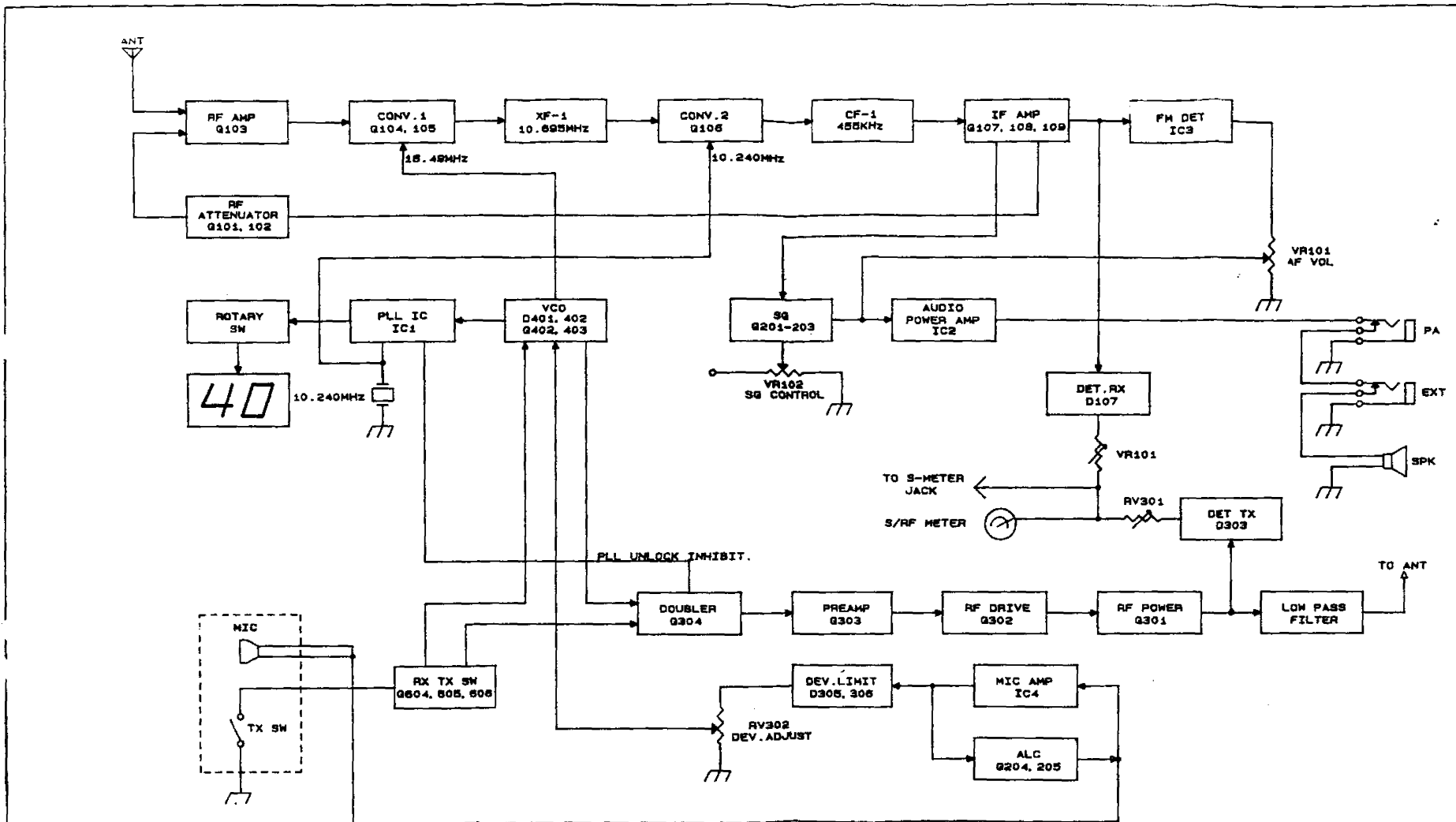


* factory alignment

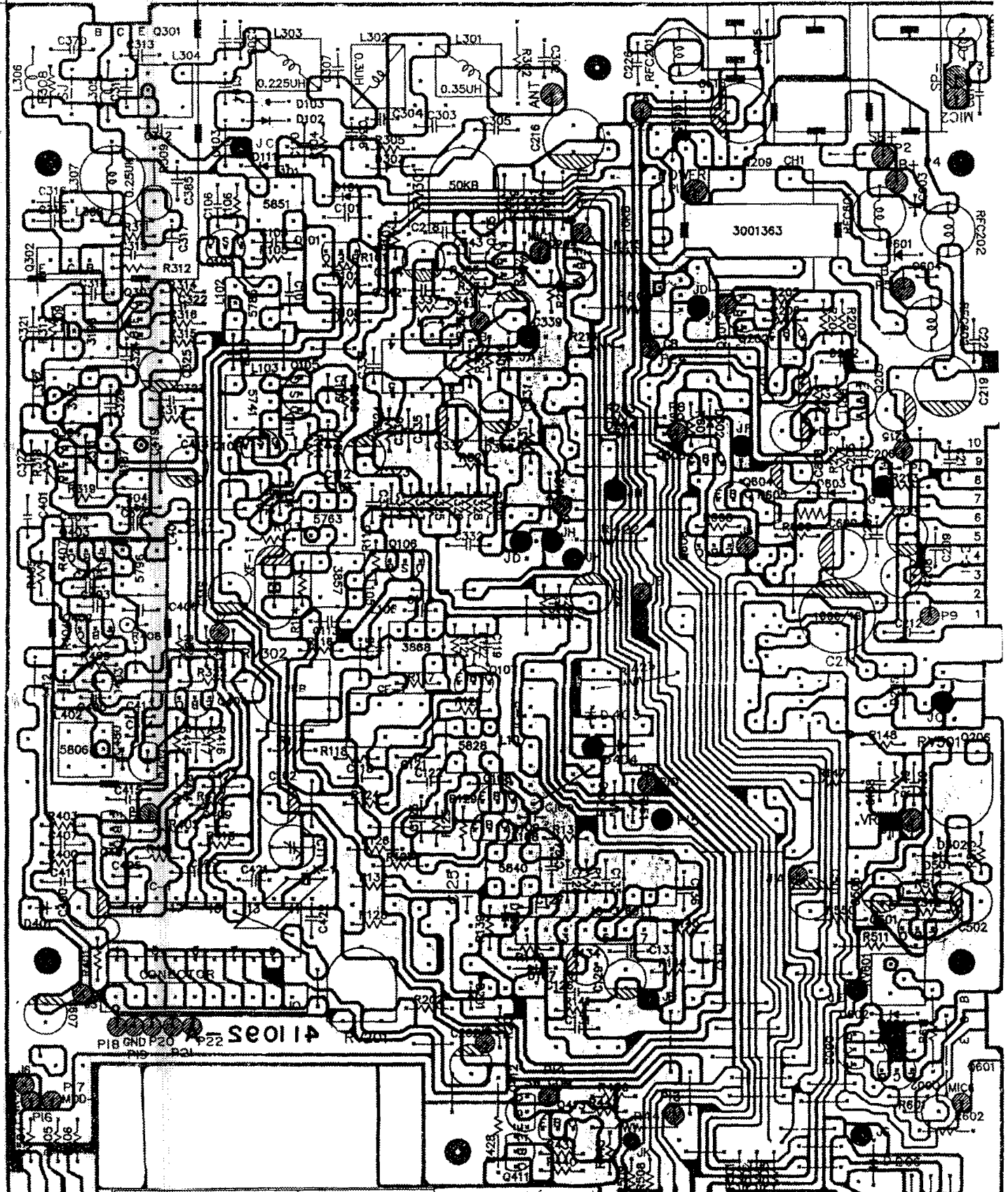
TOLERANCES UNLESS OTHERWISE SPECIFIED		NAME OR TITLE		maxon	
ANGULAR ±		SCHEMATIC DIAGRAM		MAXON ELECTRONICS CO. L.	
DECIMAL ±		FIRST USED IN ASSEMBLY		2450-22 KAPYONG-DONG KIP SEONG, KOREA	
FRACTIONAL ±		FIRST MADE FOR AE 4650		MATERIAL	
Ø / TYPED		CONTRACT OR CUSTOMER NO.		END FINISH	
DRAWN		CHECKED	CHECKED	APPROVED	SCALE
J.K. CHOI		J.K. CHOI	G.S. LEE	DRAWING PART NO.	
6.24.1992		2.5.1993	2.5.1993	2.5.1993	
				DRAWN BY	
				E.L. Lee	



BLOCK DIAGRAM					DRAWING PART NO.
AE 4650					
DRAWN	CHECKED	CHECKED	APPROVED	SCALE	2203033 <i>AE</i>
	J.K. CHOI	J.K. CHOI	G.S. LEE	/	
7.27.1992	2.5.1993	2.5.1993	2.5.1993		

G.S. Lee
2/1/93

130m/m



TOFTSCREEN	MAXON
AE-4850(C.B)	XPC-94HB
MAIN P.C.B	163.5X130X1.6T
3/1	2303033

3/1 2303033