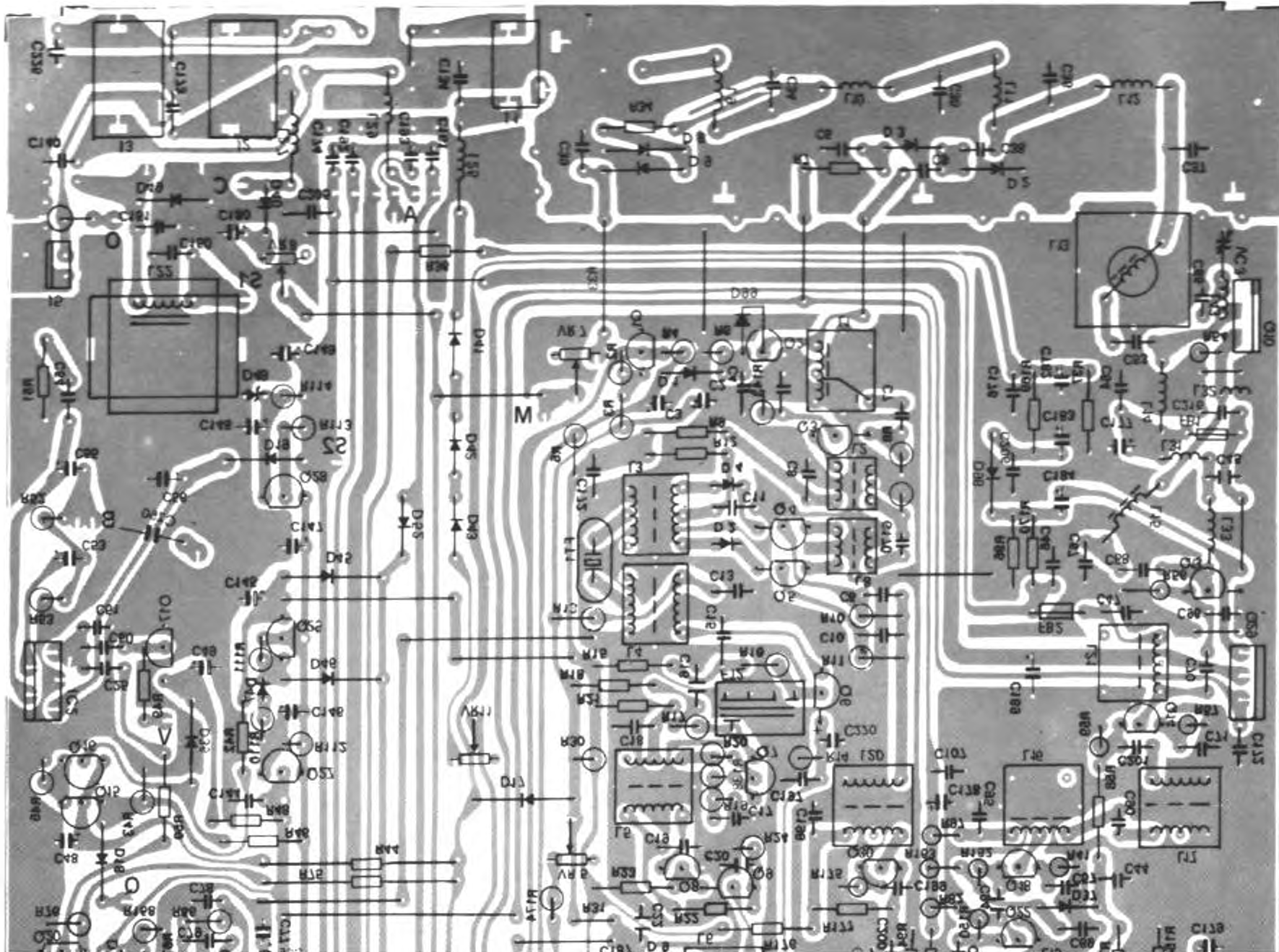
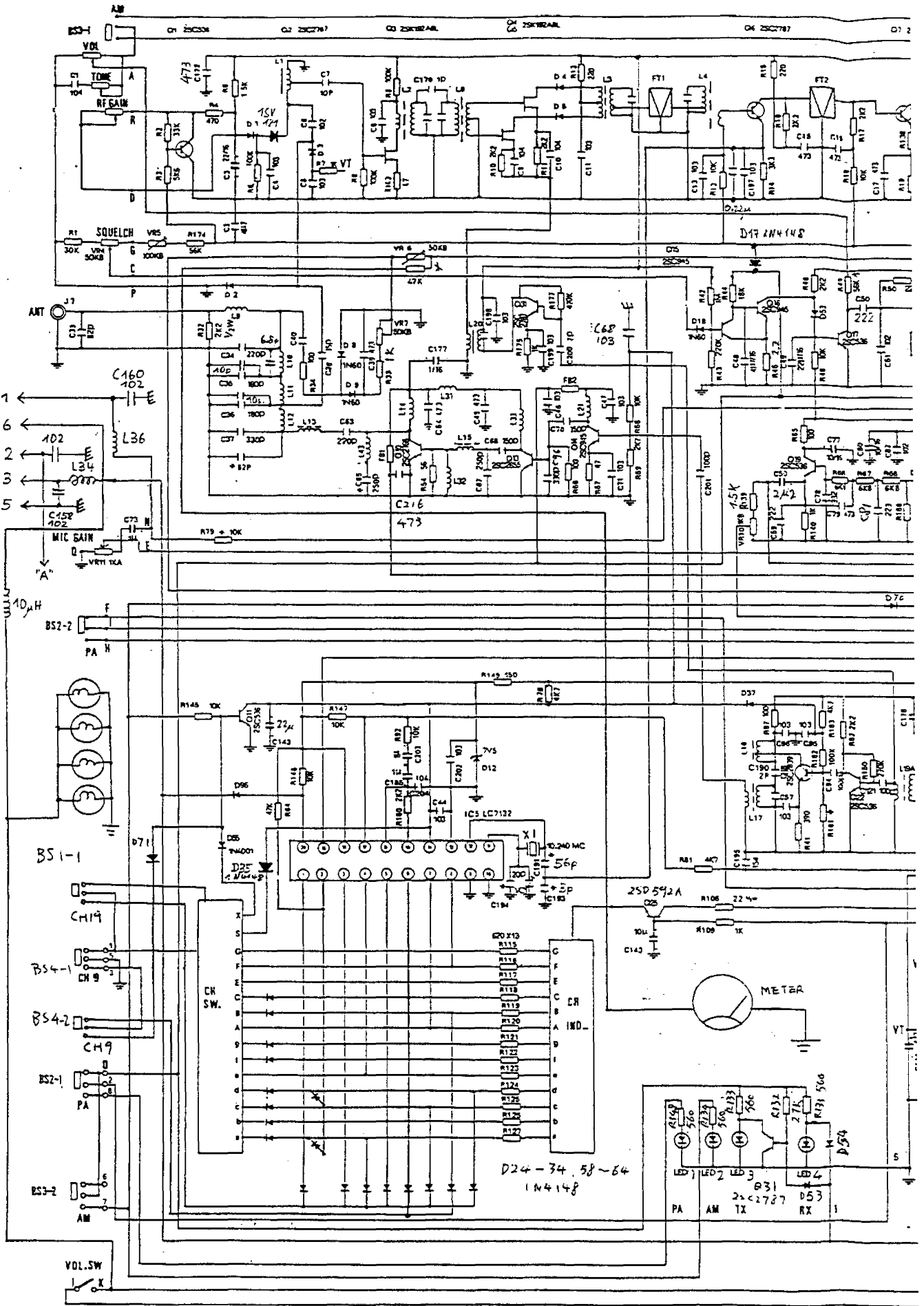


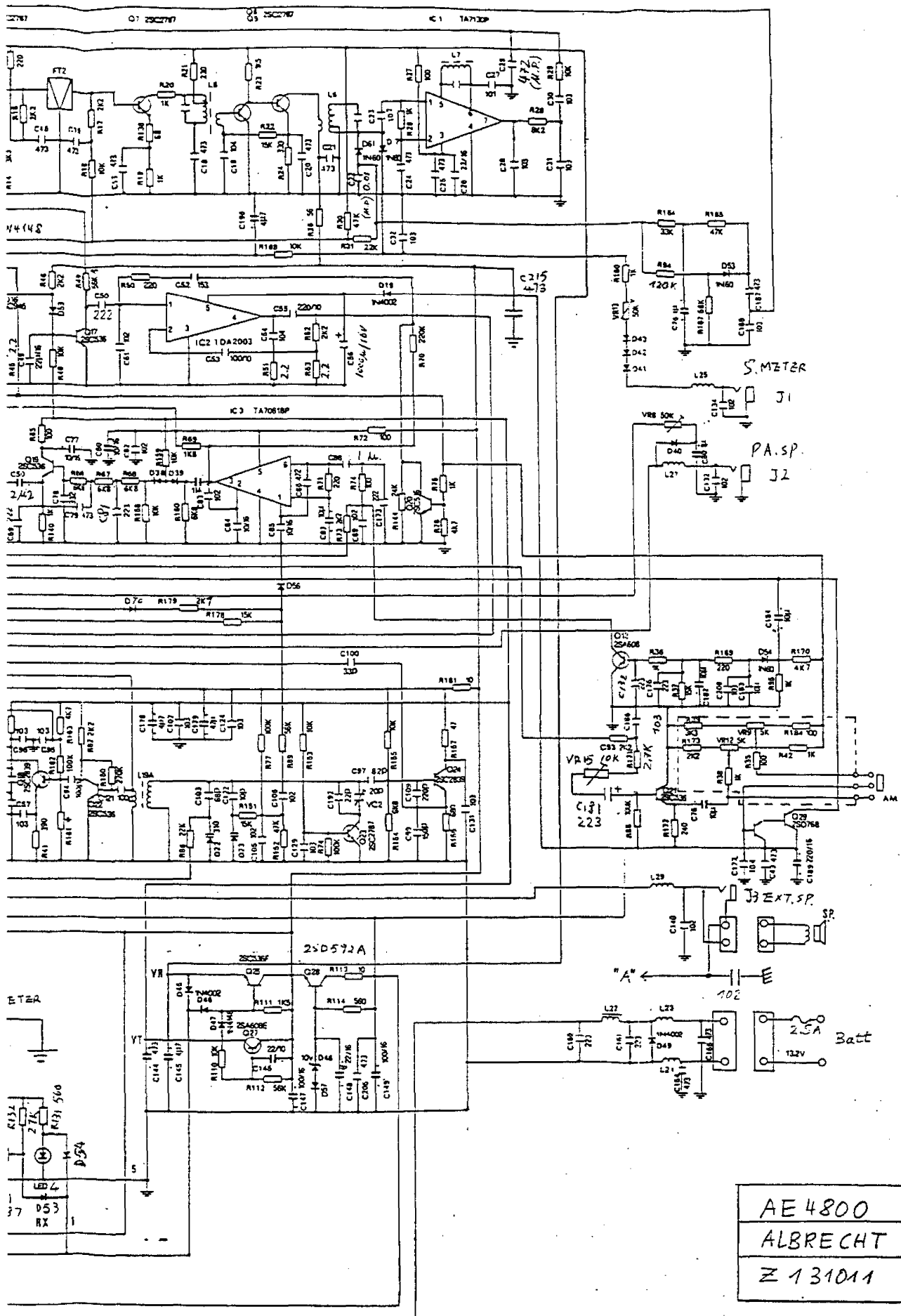
Platinenlayout





- (MIC) 1 ←
- (+) 6 ←
- (PTT-RX) 2 ←
- (PTT-TX) 3 ←
- (M) 5 ←

D24-34, 58-64
124148



AE 480
 ALBRECHT ELECTRONIC
 Z 131011 Sph